

# Cylindrical Tax Disc Holder

TAX-0023, TAX-0028, TAX-0036

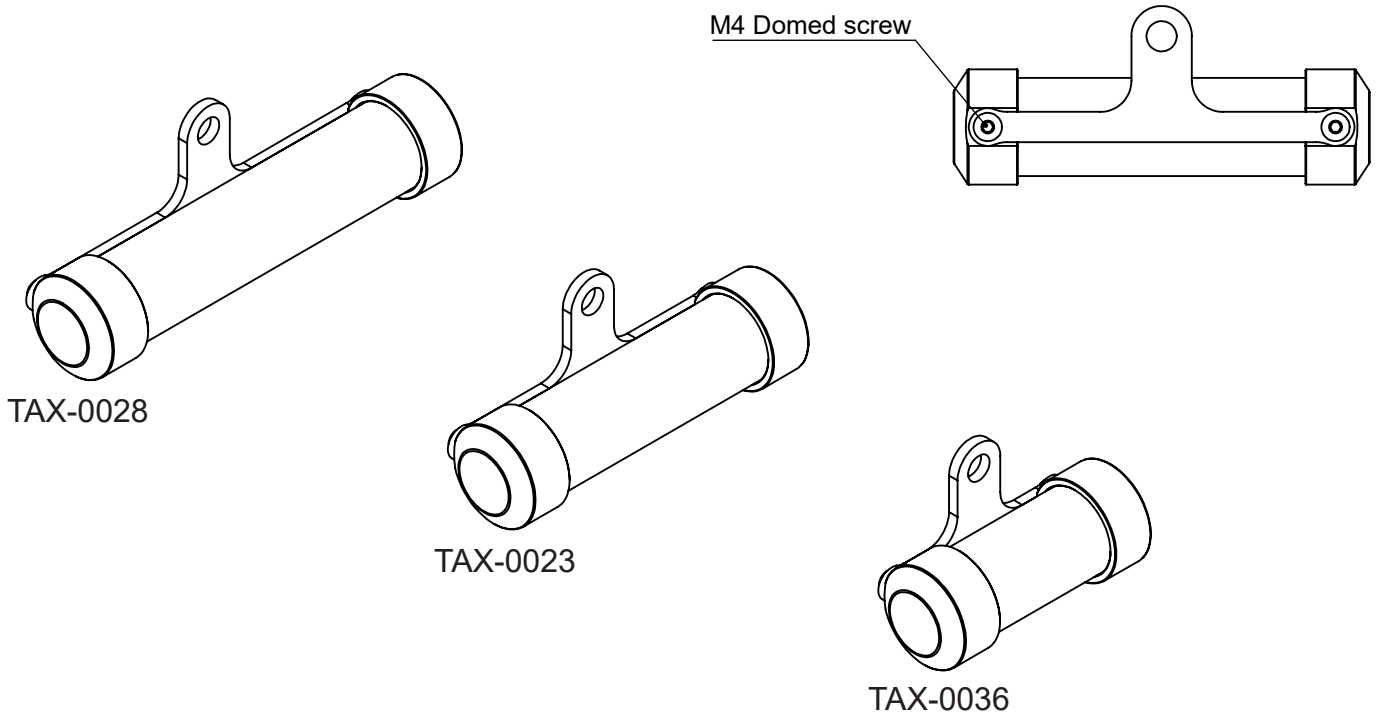
Enclosed:

1 off fully assembled tax disc holder

TAX-0023 = UK

TAX-0028 = Australia

TAX-0036 = France



## Assembly

1. Remove one domed screw with the allen key supplied.
2. One cap and the clear tube can now be removed.
3. Carefully roll your new disc, insert into clear tube, then use the opaque film rolled inside the disc to hold it in place.
4. Replace the cap and screw, do not over tighten.

The 'O' ring seals are lubricated to aid assembly, and future disassembly. Lubricate at each use with Petroleum Jelly.