

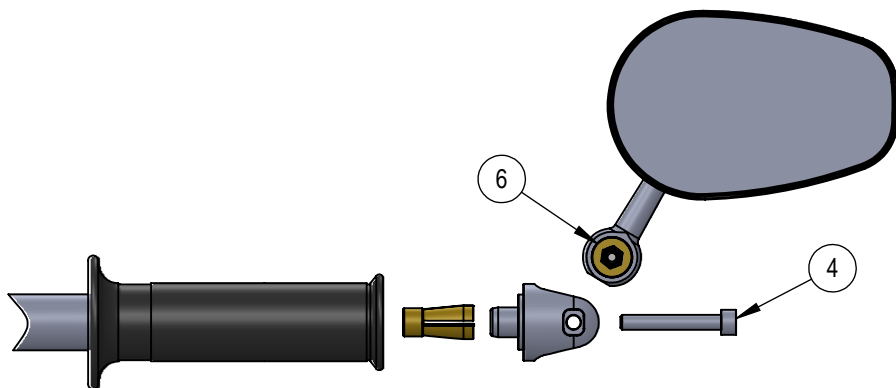
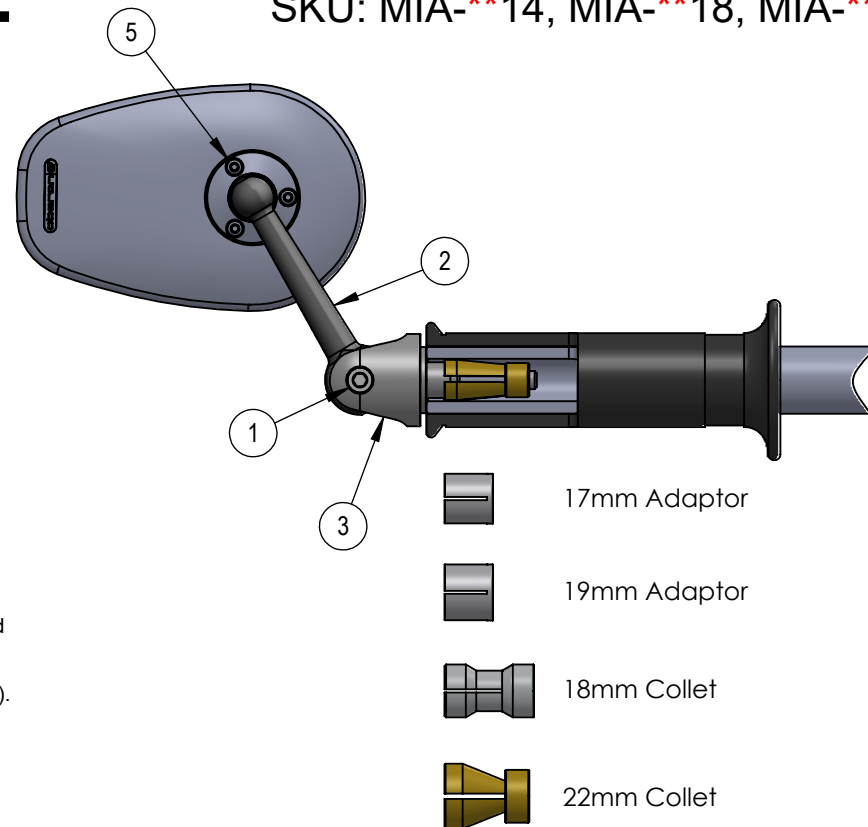
# AMA-1419, AMA-18, AMA-22 Instructions

SKU: MIA-\*\*14, MIA-\*\*18, MIA-\*\*22

**Preparation:**

Before installing your new purchase please read and understand these instructions fully and make sure you have the required tools at hand.

1. Firstly remove the original bar end if present.
2. Remove the M5 Cap Screw (1) and withdraw the mirror arm (2) from the handlebar barend (3), be careful to retain the 2 bearing washers (6) for re-fitting later.
3. Check that the internal bore is clear of obstructions and burrs. Measure the internal bore and note down the size. Select the largest collet/adaptor that will fit into the hole with out forcing it in.
4. If one of the aluminium adaptors is a closer fit, slide this over the 14mm brass collet with the open end of the machined slots facing outwards.
5. For bars with an internal bore from 12mm to 13.5mm. Push the mirror bar end (3) into the bar using a hex drive key in the bolt. If the collet does not collapse readily then loosen the bolt further and persuade the bolt by tapping against the hex key with a soft mallet. The brass collet should collapse fairly easily and slide into the handlebar. Lightly tighten the M6 (4) bolt.
6. For bars with bores above 14mm use the adaptors or dedicated collets. For 18mm or 22mm replace the complete collet. For 17mm or 19mm slide the required adaptor over the brass collet as shown in the diagram. Push the mirror bar end into the handlebar using a 5mm hex drive key. Lightly tighten the M6 (4) bolt.
7. Take a few moments to carefully position the handlebar barend (3) rotationally on the handlebar, the slot through which the arm (2) will mount is usually best positioned upright, and a few degrees forward. Although of course you can also 'hang' the mirror from under the bars for a different look.
8. Tighten the M6 bolt (4) to secure the final position of the handlebar barend; a small drop of thread lock can be applied for a permanent fixing if required.
9. Fit the washers (6) into the counterbores of the mirror arm slide the mirror arm (2) into the handlebar barend (3) and insert the M5 Allen Bolt (1) ensuring that the Nyloc nut is captive in the clamp pocket, lightly tighten the M5 Allen Bolt (1).
10. Adjust the tightness of the M5 Allen bolt (1) until the desired 'feel' is required when adjusting the mirror arm for general riding.
11. NB although the bolt can be tightened a great deal, it is NOT possible to lock the arm. The product is designed in this way to retain the adjustment feature.
12. Now spend as much time as you need to adjust the mirror to its 'ideal' position. Check the position and re-adjust as necessary.
13. Repeat for the other handlebar side if you have purchased a pair of mirrors.
14. Recheck the tightness of all fastenings, including the M3 Allen bolts (5) for security.
15. We suggest you apply a very small amount of thread locker to all fasteners. DO NOT use red Loctite. Periodically recheck all fastenings for tightness.



**PROPRIETARY AND CONFIDENTIAL**  
THE INFORMATION CONTAINED IN THIS DRAWING IS THE SOLE PROPERTY OF OBERON PERFORMANCE LTD. ANY REPRODUCTION IN PART OR AS A WHOLE WITHOUT THE WRITTEN PERMISSION OF OBERON PERFORMANCE LTD IS PROHIBITED.

DO NOT SCALE DRAWING		REVISION:
TITLE: <h1>Adjustable Mirror</h1>		
DWG NO: <h2>Installation Instructions</h2>		A4
SCALE:		

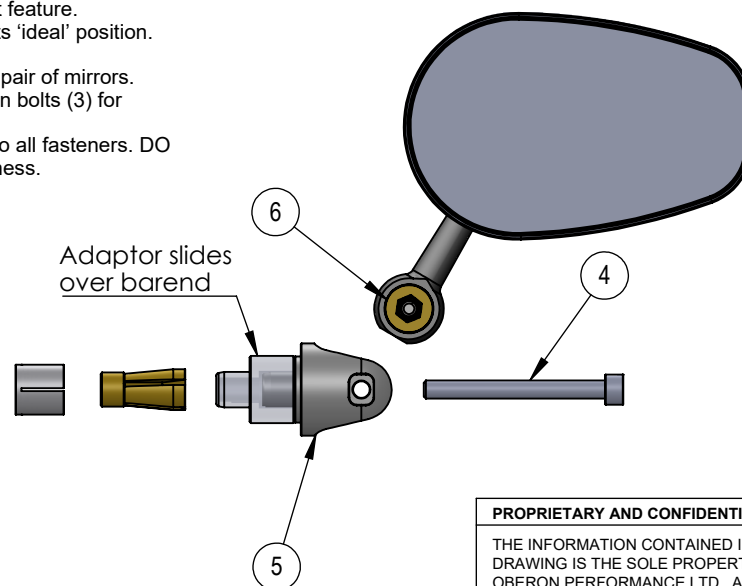
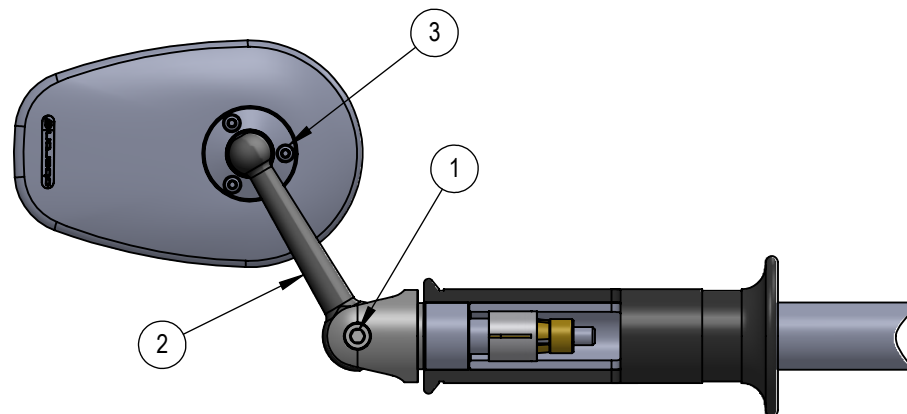
# AMA-168 Instructions

SKU: MIA-\*\*16

### Preparation:

Before installing your new purchase please read and understand these instructions fully and make sure you have the required tools at hand.

1. Firstly remove the original bar end if present.
  2. Remove the M5 Cap Screw (1) and withdraw the mirror arm (2) from the handlebar barend (5), be careful to retain the 2 bearing washers (6) for re-fitting later.
  3. Check that the internal bore is clear of obstructions and burrs. Select the largest collet that will fit into the hole with out forcing it in.
  4. If one of the aluminium adaptors is a closer fit, slide this over the 14mm brass collet with the open end of the machined slots facing outwards.
  5. Push the mirror bar end (5) into the handlebar using a 5mm hex drive key. Lightly tighten the bolt (4).
  6. Take a few moments to carefully position the handlebar barend (5) rotationally on the handlebar, the slot through which the arm (2) will mount is usually best positioned upright, and a few degrees forward. Although of course you can also 'hang' the mirror from under the bars for a different look.
  7. Tighten the bolt (4) to secure the final position of the handlebar barend; a small drop of thread lock can be applied for a permanent fixing if required.
  8. Fit the washers (6) into the counterbores of the mirror arm slide the mirror arm (2) into the handlebar barend (5) and insert the M5 Allen Bolt (1) ensuring that the Nyloc nut is captive in the clamp pocket, lightly tighten the M5 Allen Bolt (1).
  9. Adjust the tightness of the M5 Allen bolt (1) until the desired 'feel' is required when adjusting the mirror arm for general riding.
- NB although the bolt can be tightened a great deal, it is NOT possible to lock the arm. The product is designed in this way to retain the adjustment feature.
10. Now spend as much time as you need to adjust the mirror to its 'ideal' position. Check the position and re-adjust as necessary.
  11. Repeat for the other handlebar side if you have purchased a pair of mirrors.
  12. Recheck the tightness of all fastenings, including the M3 Allen bolts (3) for security.
  13. We suggest you apply a very small amount of thread locker to all fasteners. DO NOT use red Loctite. Periodically recheck all fastenings for tightness.



**PROPRIETARY AND CONFIDENTIAL**

THE INFORMATION CONTAINED IN THIS DRAWING IS THE SOLE PROPERTY OF OBERON PERFORMANCE LTD. ANY REPRODUCTION IN PART OR AS A WHOLE WITHOUT THE WRITTEN PERMISSION OF OBERON PERFORMANCE LTD IS PROHIBITED.

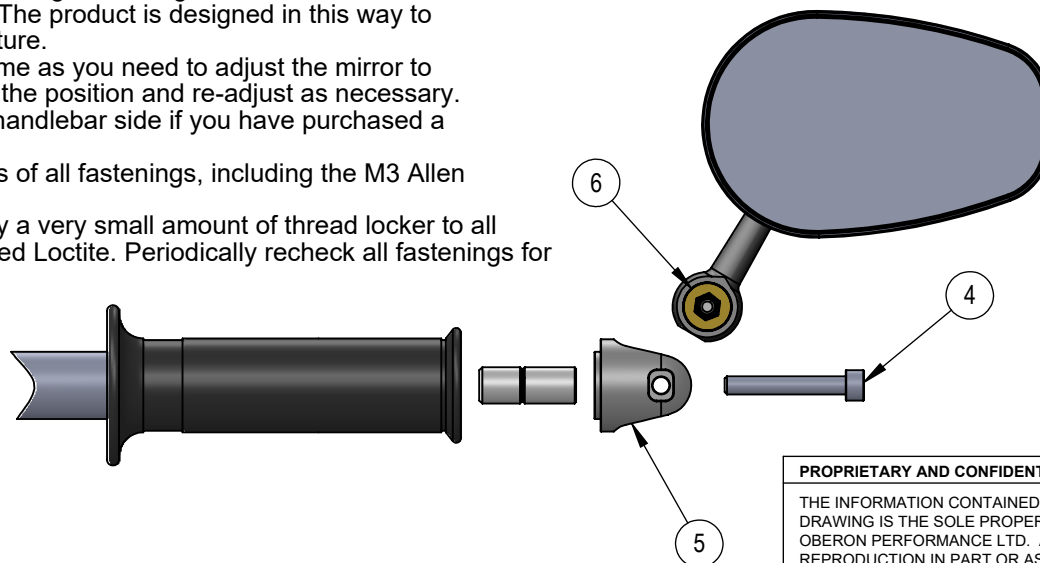
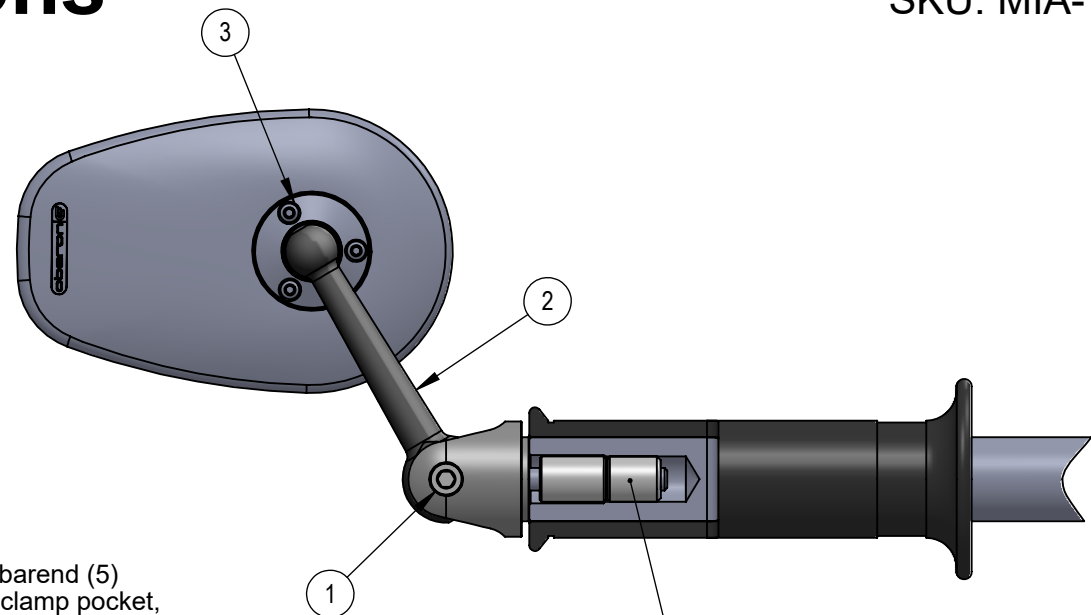
DO NOT SCALE DRAWING		REVISION:	
TITLE: <b>Adjustable Mirror</b>			
DWG NO:		A4	
Installation Instructions			
SCALE:			

# AMA-R9S1R Instructions


## Preparation:

Before installing your new purchase please read and understand these instructions fully and make sure you have the required tools at hand.

1. Firstly remove original barend.
2. Apply thread locker to M12 adaptor and drive home using a 6mm hex drive. Leave to cure. Red Loctite is recommended.
3. Remove the M5 Cap Screw (1) and withdraw the mirror arm (2) from the handlebar barend (5), be careful to retain the 2 bearing washers (6) for re-fitting later.
4. Fit the barend to the handlebar. Lightly tighten the M6 bolt (4).
5. Take a few moments to carefully position the handlebar barend (5) rotationally on the handlebar, the slot through which the arm (2) will mount is usually best positioned upright, and a few degrees forward. Although of course you can also 'hang' the mirror from under the bars for a different look.
6. Tighten the M6 bolt (4) to secure the final position of the handlebar barend; a small drop of thread lock can be applied for a permanent fixing if required.
7. Replace the M6 washers (6) mount the mirror arm (2) into the handlebar barend (5) and insert the M5 Allen Bolt (1) ensuring that the Nyloc nut is captive in the clamp pocket, lightly tighten the M5 Allen Bolt.
8. Adjust the tightness of the M5 Allen bolt (1) until the desired 'feel' is required when adjusting the mirror arm for general riding. NB although the bolt can be tightened a great deal, it is NOT possible to lock the arm. The product is designed in this way to retain the adjustment feature.
9. Now spend as much time as you need to adjust the mirror to its 'ideal' position. Check the position and re-adjust as necessary.
10. Repeat for the other handlebar side if you have purchased a pair of mirrors.
11. Recheck the tightness of all fastenings, including the M3 Allen bolts (3) for security.
12. We suggest you apply a very small amount of thread locker to all fasteners. DO NOT use red Loctite. Periodically recheck all fastenings for tightness.



**PROPRIETARY AND CONFIDENTIAL**  
 THE INFORMATION CONTAINED IN THIS DRAWING IS THE SOLE PROPERTY OF OBERON PERFORMANCE LTD. ANY REPRODUCTION IN PART OR AS A WHOLE WITHOUT THE WRITTEN PERMISSION OF OBERON PERFORMANCE LTD IS PROHIBITED.

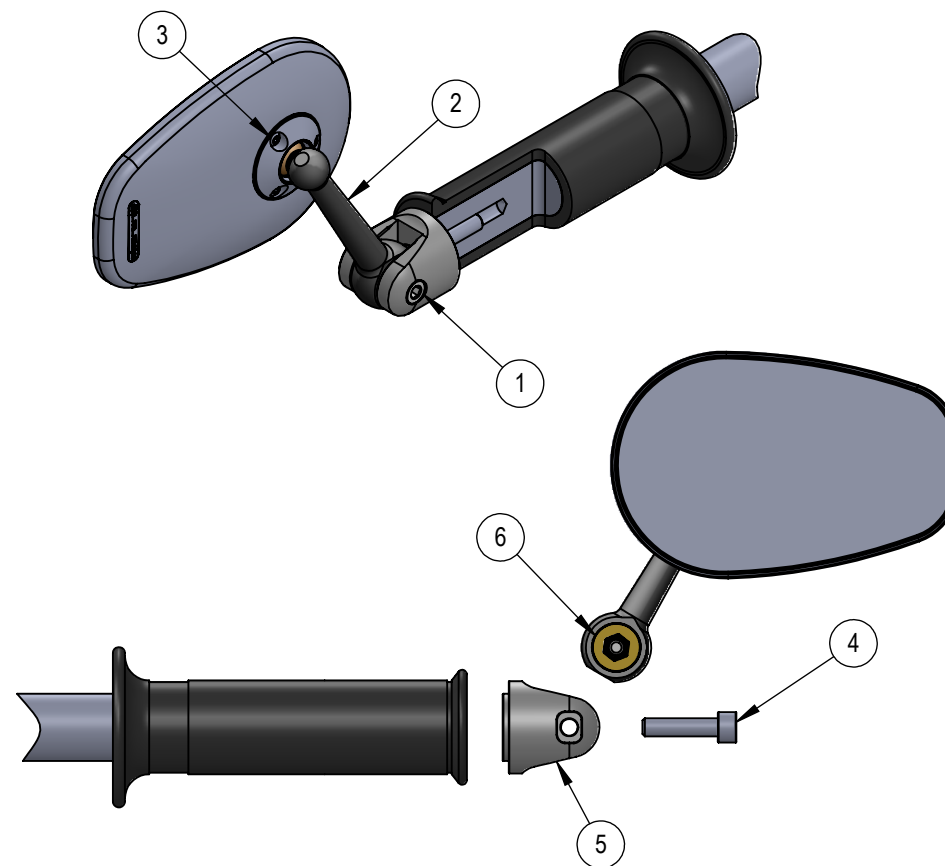
DO NOT SCALE DRAWING		REVISION:	
			
TITLE: <h1>Adjustable Mirror</h1>			
DWG NO:		A4	
Installation Instructions			
SCALE:			

# AMA-M6 Instructions

## Preparation:

Before installing your new purchase please read and understand these instructions fully and make sure you have the required tools at hand.

1. Firstly remove original barend.
2. Remove the M5 Cap Screw (1) and withdraw the mirror arm (2) from the handlebar barend (3), be careful to retain the 2 bearing washers (6) for re-fitting later.
3. Fit the barend to the handlebar. Lightly tighten the M6 bolt (4).
4. Take a few moments to carefully position the handlebar barend (5) rotationally on the handlebar, the slot through which the arm (2) will mount is usually best positioned upright, and a few degrees forward. Although of course you can also 'hang' the mirror from under the bars for a different look.
5. Tighten the M6 bolt (4) to secure the final position of the handlebar clamp; a small drop of thread lock can be applied for a permanent fixing if required.
6. Replace the M6 washers (6), mount the mirror arm (2) into the handlebar barend (5) and insert the M5 Allen Bolt (1) ensuring that the Nyloc nut is captive in the clamp pocket, lightly tighten the M5 Allen Bolt.
7. Adjust the tightness of the M5 Allen bolt (1) until the desired 'feel' is required when adjusting the mirror arm for general riding. NB although the bolt can be tightened a great deal, it is NOT possible to lock the arm. The product is designed in this way to retain the adjustment feature.
8. Now spend as much time as you need to adjust the mirror to its 'ideal' position. Check the position and re-adjust as necessary.
9. Repeat for the other handlebar side if you have purchased a pair of mirrors.
11. Recheck the tightness of all fastenings, including the M3 Allen bolts (3) for security.
11. We suggest you apply a very small amount of thread locker to all fasteners. DO NOT use red Loctite. Periodically recheck all fastenings for tightness.



DO NOT SCALE DRAWING		REVISION:
		
TITLE: <h1>Adjustable Mirror</h1>		
DWG NO:	A4	
Installation Instructions		
SCALE:		

**PROPRIETARY AND CONFIDENTIAL**

THE INFORMATION CONTAINED IN THIS DRAWING IS THE SOLE PROPERTY OF OBERON PERFORMANCE LTD. ANY REPRODUCTION IN PART OR AS A WHOLE WITHOUT THE WRITTEN PERMISSION OF OBERON PERFORMANCE LTD IS PROHIBITED.

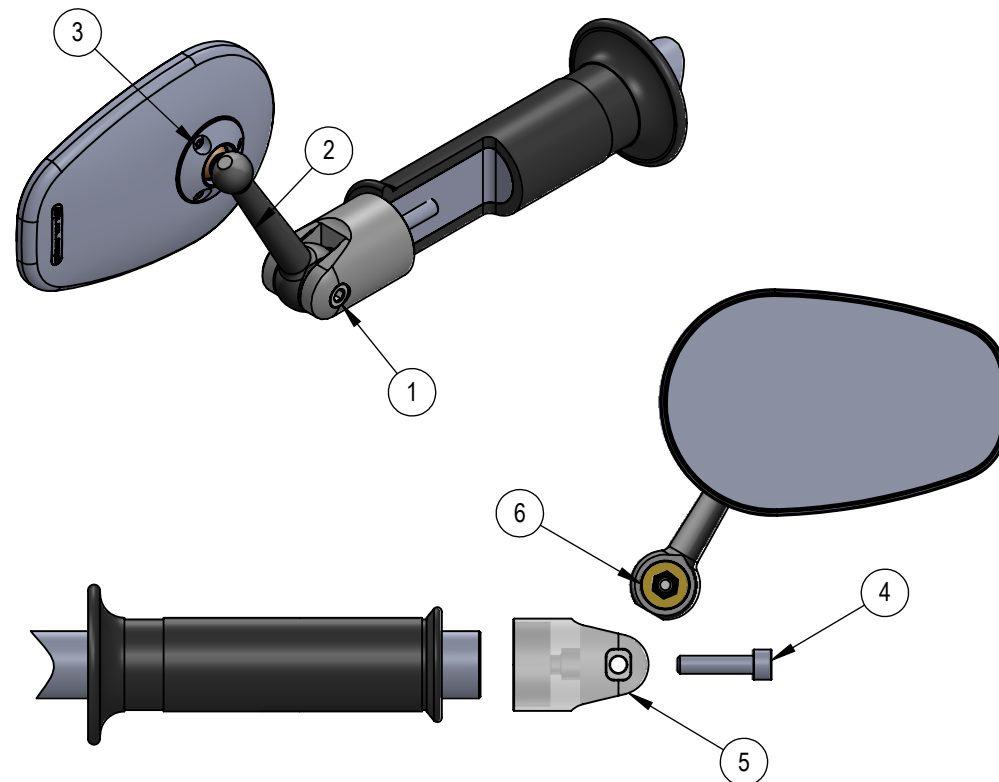
# AMA-M6CB, AMA-M8CB Instructions

SKU: MIA-<sup>\*\*</sup>26, MIA-<sup>\*\*</sup>28 <sup>\*\* Bezel Shape Number</sup>

### Preparation:

Before installing your new purchase please read and understand these instructions fully and make sure you have the required tools at hand.

1. Firstly remove original barend.
2. Remove the M5 Cap Screw (1) and withdraw the mirror arm (2) from the handlebar barend (5), be careful to retain the 2 bearing washers (6) for re-fitting later.
4. Fit the barend (5) to the handlebar. Fully tighten the M6/M8 bolt depending on your kit.
5. Take a few moments to carefully position the handlebar barend rotationally on the handlebar, the slot through which the arm (2) will mount is usually best positioned upright, and a few degrees forward. Although of course you can also 'hang' the mirror from under the bars for a different look.
6. Tighten the M6 bolt (4) to secure the final position of the handlebar barend (5); a small drop of thread lock can be applied for a permanent fixing if required.
7. Replace the M6 washers (6), mount the mirror arm (2) into the handlebar barend (5) and insert the M5 Allen Bolt (1) ensuring that the Nyloc nut is captive in the clamp pocket, lightly tighten the M5 Allen Bolt.
8. Adjust the tightness of the M5 Allen bolt (1) until the desired 'feel' is required when adjusting the mirror arm for general riding. NB although the bolt can be tightened a great deal, it is NOT possible to lock the arm. The product is designed in this way to retain the adjustment feature.
9. Now spend as much time as you need to adjust the mirror to its 'ideal' position. Check the position and re-adjust as necessary.
10. Repeat for the other handlebar side if you have purchased a pair of mirrors.
11. Recheck the tightness of all fastenings, including the M3 Allen bolts (3) for security.
12. We suggest you apply a very small amount of thread locker to all fasteners. DO NOT use red Loctite. Periodically recheck all fastenings for tightness.



DO NOT SCALE DRAWING		REVISION:
TITLE: <h1>Adjustable Mirror</h1>		
DWG NO: <h2>Installation Instructions</h2>		A4
SCALE:		

**PROPRIETARY AND CONFIDENTIAL**

THE INFORMATION CONTAINED IN THIS DRAWING IS THE SOLE PROPERTY OF OBERON PERFORMANCE LTD. ANY REPRODUCTION IN PART OR AS A WHOLE WITHOUT THE WRITTEN PERMISSION OF OBERON PERFORMANCE LTD IS PROHIBITED.