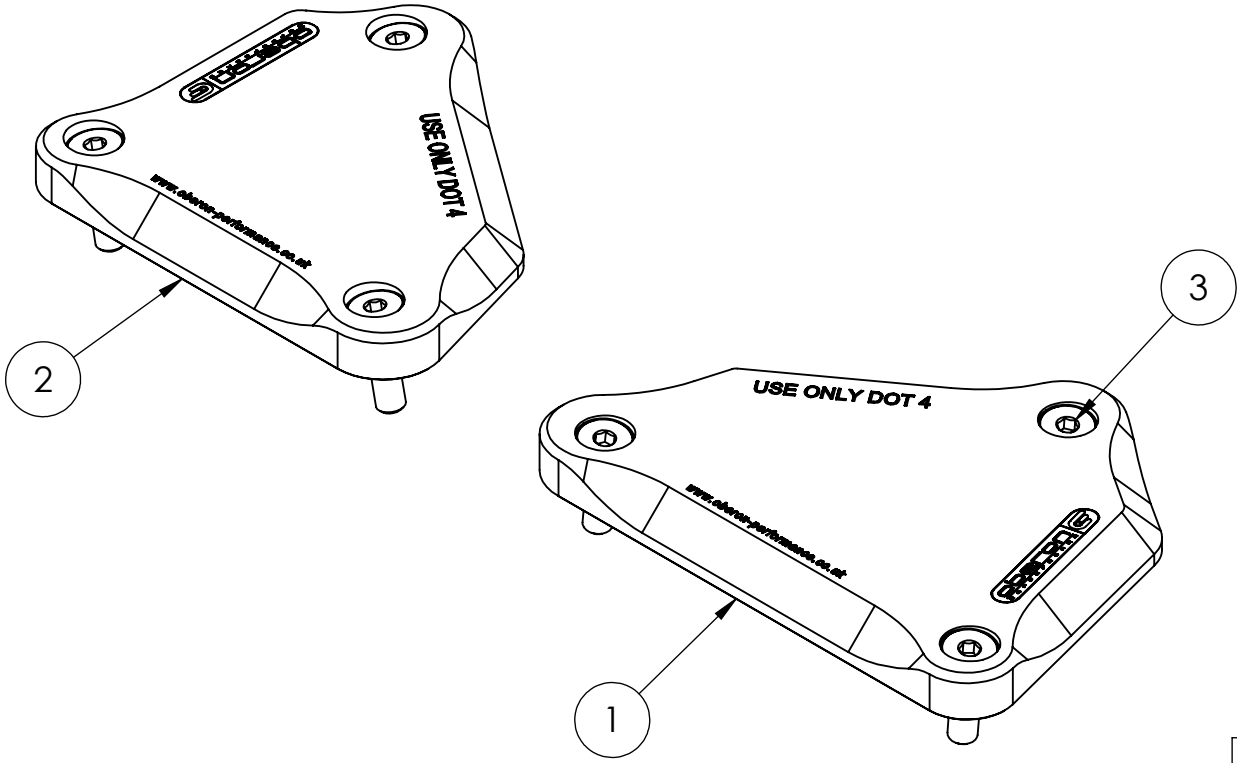


8 7 6 5 4 3 2 1

ITEM NO.	DESCRIPTION	QTY
1	Brake Reservoir Cap	1
2	Clutch Reservoir Cap	1
3	M4 x 16mm	6




F  
E  
D  
C  
B  
A

F  
E  
D  
C  
B  
A

8 7 6 5 4 3 2 1

**PROPRIETARY AND CONFIDENTIAL**  
 THE INFORMATION CONTAINED IN THIS DRAWING IS THE SOLE PROPERTY OF OBERON PERFORMANCE LTD. ANY REPRODUCTION IN PART OR AS A WHOLE WITHOUT THE WRITTEN PERMISSION OF OBERON PERFORMANCE LTD IS PROHIBITED.

DO NOT SCALE DRAWING		REVISION:
		
TITLE: <b>Whats in the box.</b>		
DWG NO: <b>RES-0045</b>		<b>A4</b>
SCALE:		