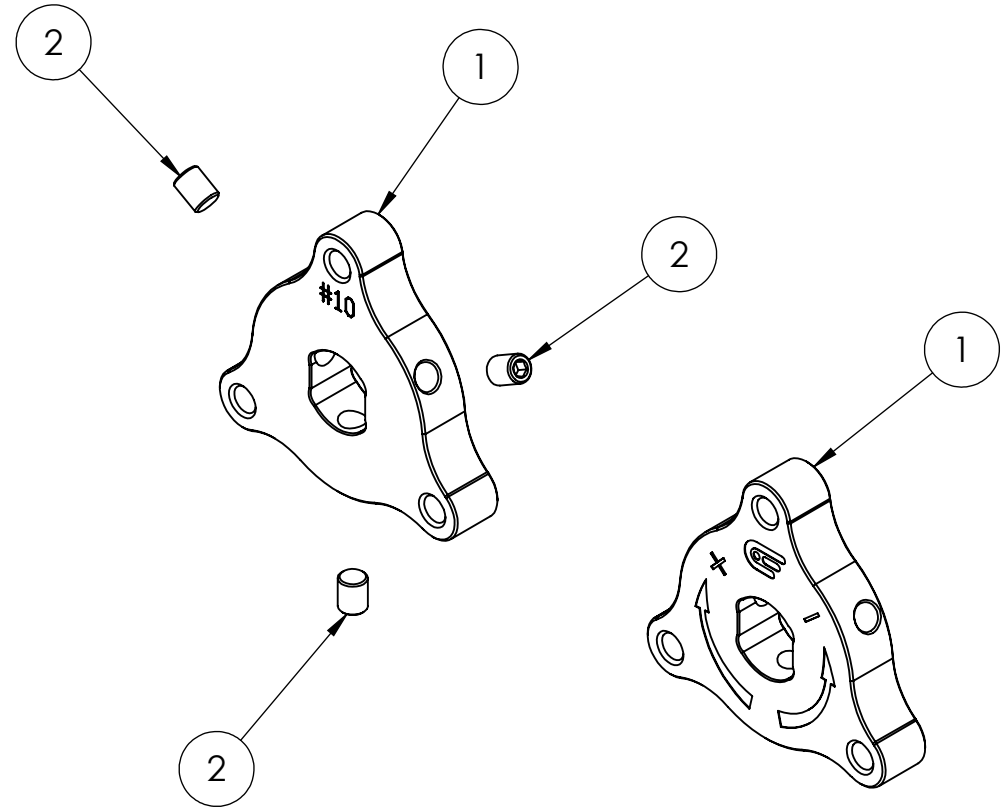


8 7 6 5 4 3 2 1


ITEM NO.	DESCRIPTION	QTY
1	Preload adjuster	2
2	M4 x 6mm Grub Screw	6



F
E
D
C
B
A

F
E
D
C
B
A

8 7 6 5 4 3 2 1

DO NOT SCALE DRAWING		REVISION:
		
TITLE: <h1>Whats in the box.</h1>		
DWG NO: <h2>PRE-0010</h2>		A4
SCALE:		

PROPRIETARY AND CONFIDENTIAL

THE INFORMATION CONTAINED IN THIS DRAWING IS THE SOLE PROPERTY OF OBERON PERFORMANCE LTD. ANY REPRODUCTION IN PART OR AS A WHOLE WITHOUT THE WRITTEN PERMISSION OF OBERON PERFORMANCE LTD IS PROHIBITED.