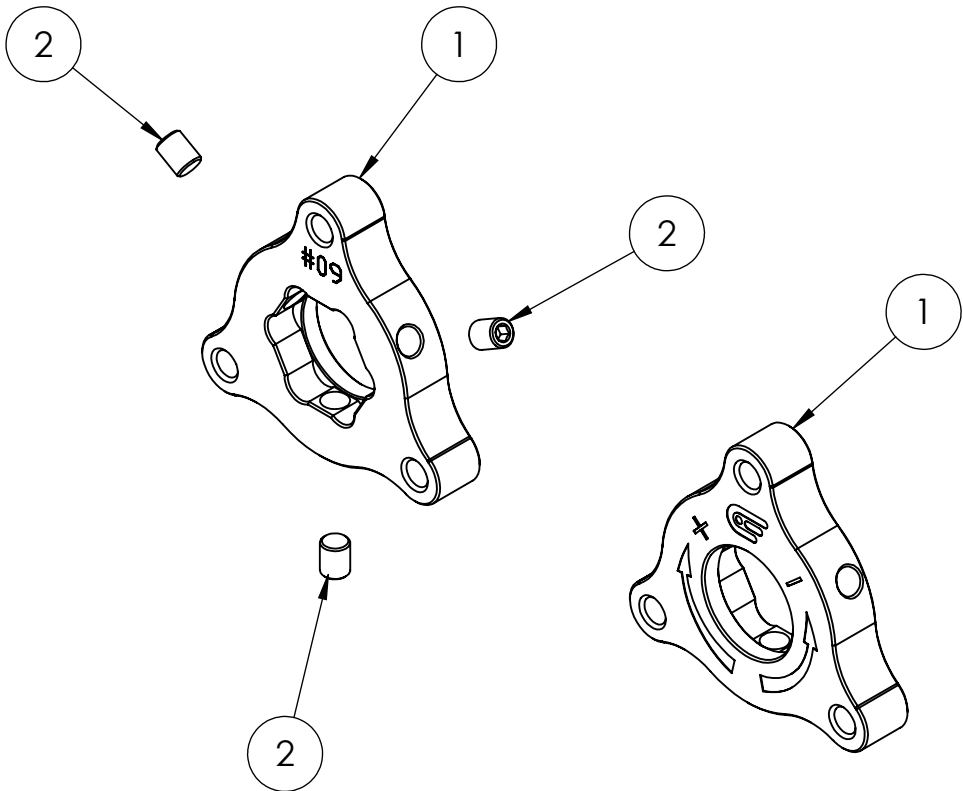



| ITEM NO. | DESCRIPTION         | QTY |
|----------|---------------------|-----|
| 1        | Preload adjuster    | 2   |
| 2        | M4 x 6mm Grub Screw | 6   |



|   |  |           |
|---|--|-----------|
| DO NOT SCALE DRAWING  |  | REVISION: |
|  |  |           |
| TITLE:  |  |           |
| Whats in the box.   |  |           |
| DWG NO:   |  | A4        |
| SCALE:  |  |           |

**PROPRIETARY AND CONFIDENTIAL**

THE INFORMATION CONTAINED IN THIS DRAWING IS THE SOLE PROPERTY OF OBERON PERFORMANCE LTD. ANY REPRODUCTION IN PART OR AS A WHOLE WITHOUT THE WRITTEN PERMISSION OF OBERON PERFORMANCE LTD IS PROHIBITED.