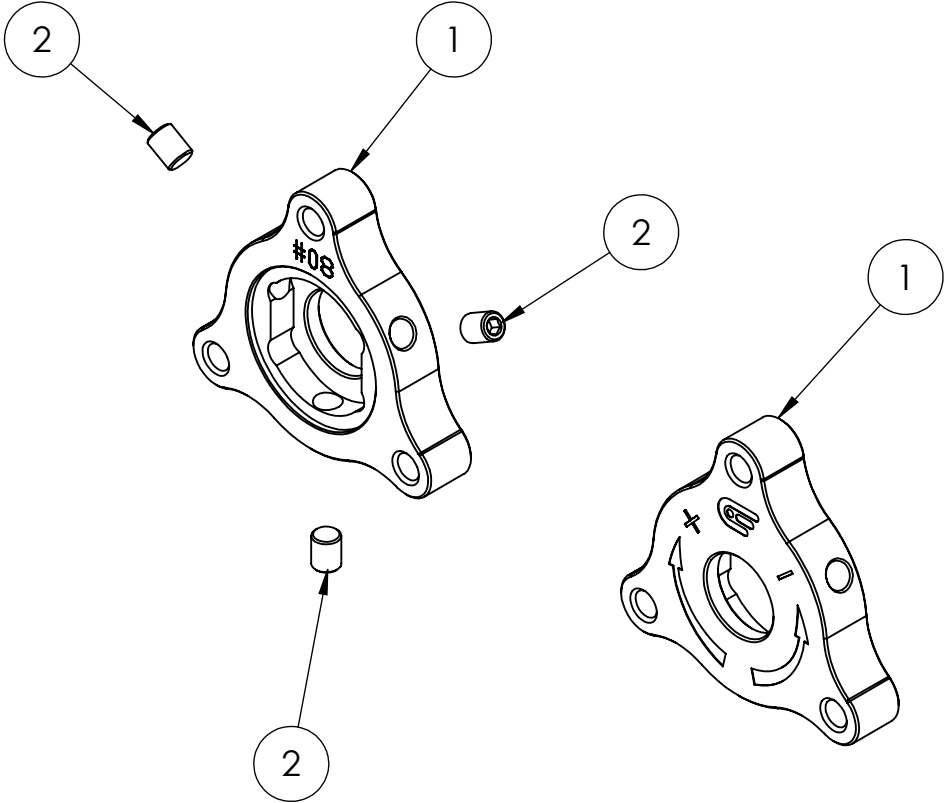



ITEM NO.	DESCRIPTION	QTY
1	Preload adjuster	2
2	M4 x 6mm Grub Screw	6



**PROPRIETARY AND CONFIDENTIAL**

THE INFORMATION CONTAINED IN THIS DRAWING IS THE SOLE PROPERTY OF OBERON PERFORMANCE LTD. ANY REPRODUCTION IN PART OR AS A WHOLE WITHOUT THE WRITTEN PERMISSION OF OBERON PERFORMANCE LTD IS PROHIBITED.

DO NOT SCALE DRAWING		REVISION:
		
TITLE:		
<b>Whats in the box.</b>		
DWG NO:		A4
<b>PRE-0008</b>		
SCALE:		