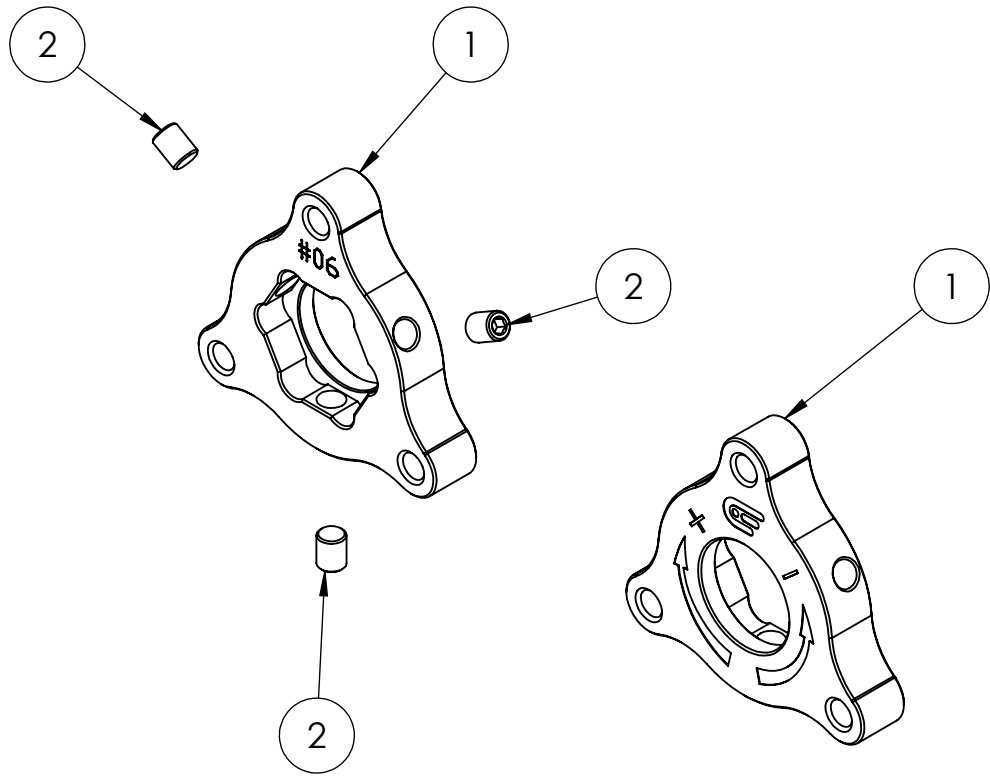


ITEM NO.	DESCRIPTION	QTY
1	Preload adjuster	2
2	M4 x 6mm Grub Screw	6



DO NOT SCALE DRAWING

REVISION:



TITLE:

Whats in the box.

PROPRIETARY AND CONFIDENTIAL

THE INFORMATION CONTAINED IN THIS DRAWING IS THE SOLE PROPERTY OF OBERON PERFORMANCE LTD. ANY REPRODUCTION IN PART OR AS A WHOLE WITHOUT THE WRITTEN PERMISSION OF OBERON PERFORMANCE LTD IS PROHIBITED.

DWG NO:

PRE-0006

A4

SCALE: