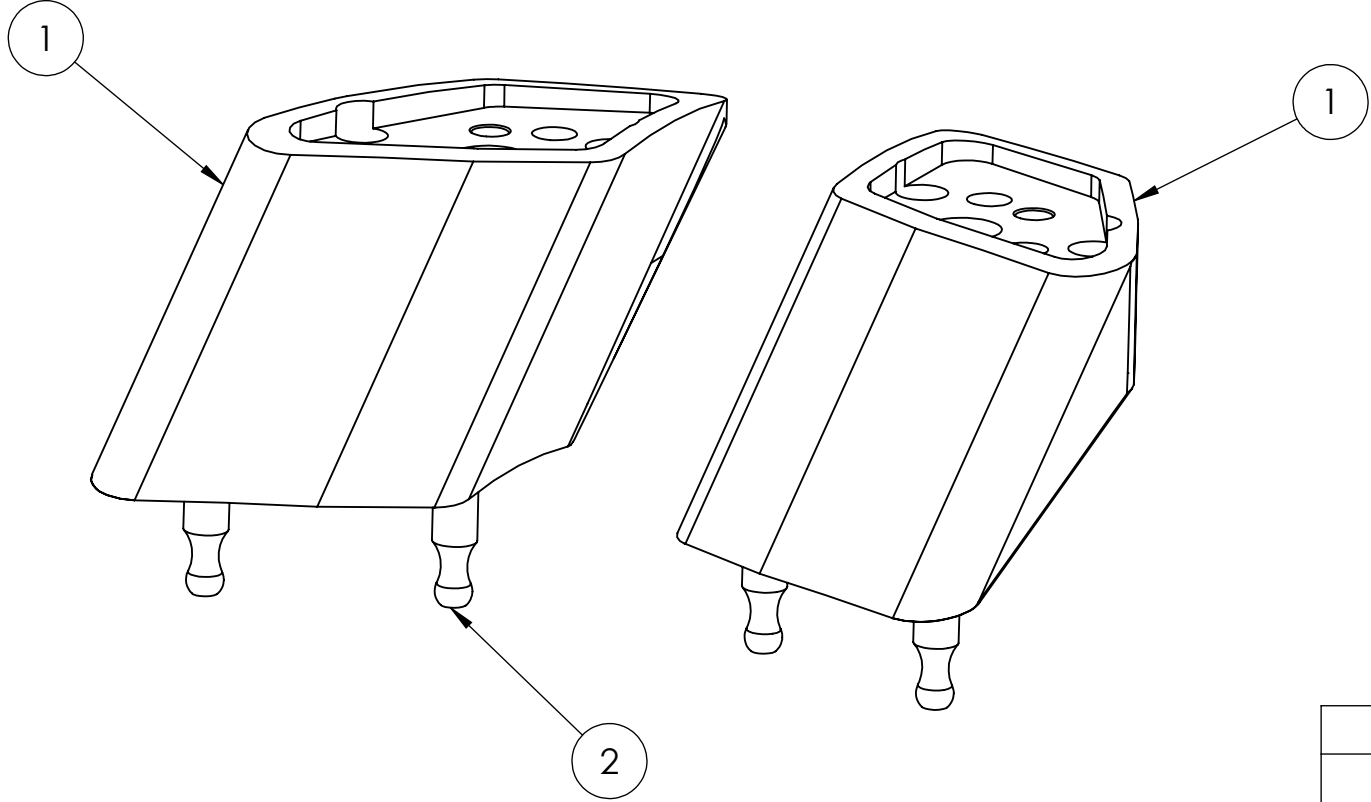


8 7 6 5 4 3 2 1

ITEM NO.	DESCRIPTION	QTY
1	Left and Right hand extender bodies.	2
2	Location Pins	4



DO NOT SCALE DRAWING REVISION:



TITLE:
Whats in the box.

PROPRIETARY AND CONFIDENTIAL
 THE INFORMATION CONTAINED IN THIS DRAWING IS THE SOLE PROPERTY OF OBERON PERFORMANCE LTD. ANY REPRODUCTION IN PART OR AS A WHOLE WITHOUT THE WRITTEN PERMISSION OF OBERON PERFORMANCE LTD IS PROHIBITED.

DWG NO: **MIX-0704** **A4**

SCALE:

8 7 6 5 4 3 2 1

F
E
D
C
B
A

F
E
D
C
B
A