

8 7 6 5 4 3 2 1

| ITEM NO. | DESCRIPTION | QTY |
|----------|---------------|-----|
| 1 | Mirror Blanks | 2 |

F

F

E

E

D

D

C

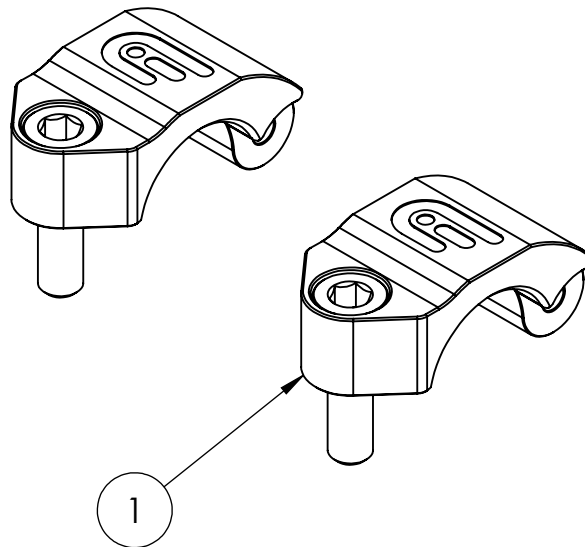
C

B

B

A

A



| | |
|----------------------|-----------|
| DO NOT SCALE DRAWING | REVISION: |
|----------------------|-----------|



| |
|--------------------------------------|
| TITLE: <h1>Whats in the box.</h1> |
|--------------------------------------|

PROPRIETARY AND CONFIDENTIAL

THE INFORMATION CONTAINED IN THIS DRAWING IS THE SOLE PROPERTY OF OBERON PERFORMANCE LTD. ANY REPRODUCTION IN PART OR AS A WHOLE WITHOUT THE WRITTEN PERMISSION OF OBERON PERFORMANCE LTD IS PROHIBITED.

| | |
|------------------------------|----|
| DWG NO: <h2>MIB-0610</h2> | A4 |
|------------------------------|----|

| |
|--------|
| SCALE: |
|--------|

8 7 6 5 4 3 2 1