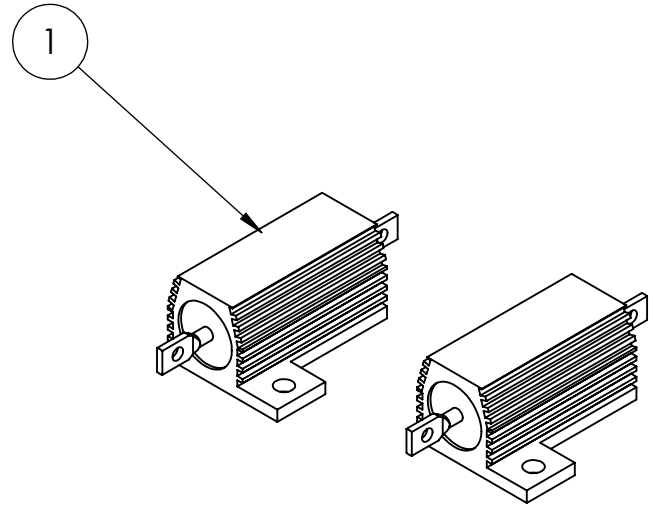


8 7 6 5 4 3 2 1

ITEM NO.	DESCRIPTION	QTY
1	Resistor	2



F
E
D
C
B
A

F
E
D
C
B
A

8 7 6 5 4 3 2 1

DO NOT SCALE DRAWING	REVISION:
----------------------	-----------



TITLE:

Whats in the box.

PROPRIETARY AND CONFIDENTIAL

THE INFORMATION CONTAINED IN THIS DRAWING IS THE SOLE PROPERTY OF OBERON PERFORMANCE LTD. ANY REPRODUCTION IN PART OR AS A WHOLE WITHOUT THE WRITTEN PERMISSION OF OBERON PERFORMANCE LTD IS PROHIBITED.

DWG NO: IND-0068	A4
----------------------------	-----------

SCALE: