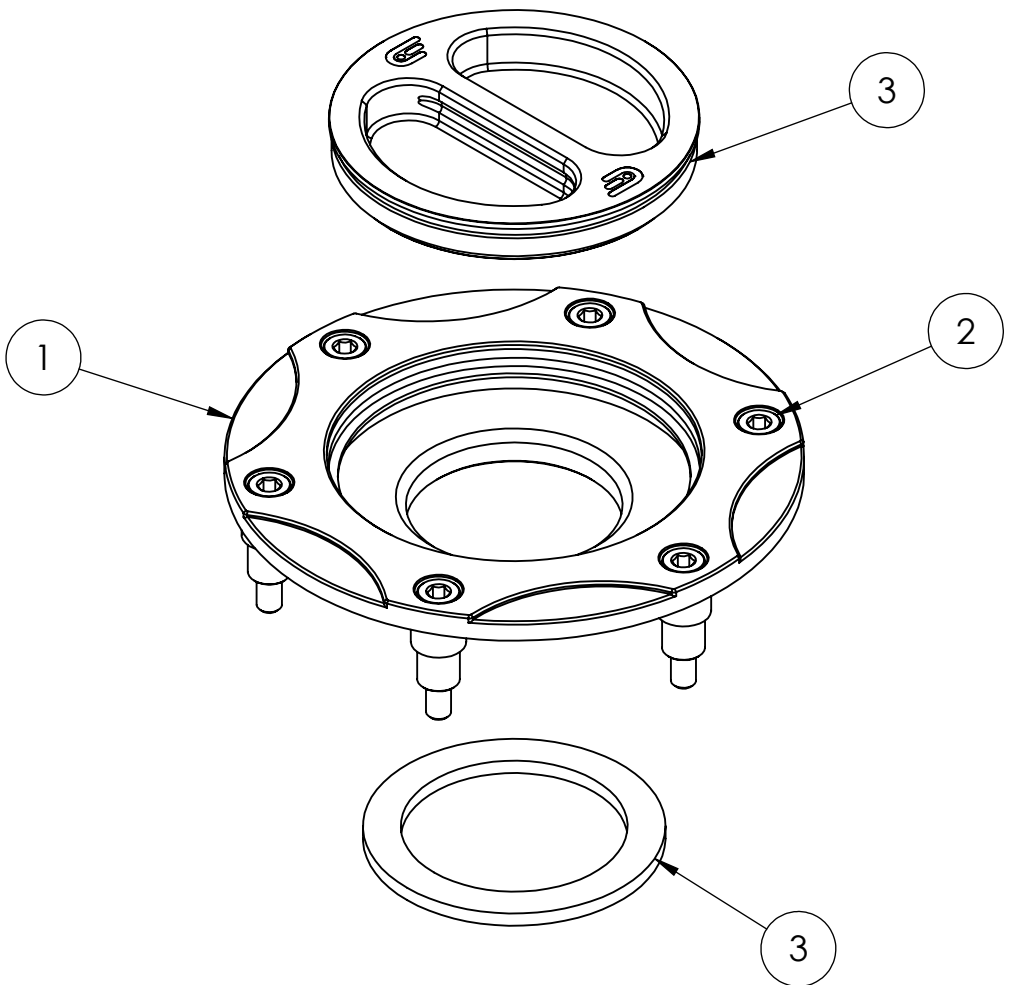



8 7 6 5 4 3 2 1

ITEM NO.	DESCRIPTION	QTY
1	Fully assembled fuel cap unit	1
2	Stainless Steel fasteners	6
3	Various Viton Gaskets	3



DO NOT SCALE DRAWING		REVISION:
		
TITLE:		
Whats in the box.		
DWG NO:		A4
SCALE:		

PROPRIETARY AND CONFIDENTIAL

THE INFORMATION CONTAINED IN THIS DRAWING IS THE SOLE PROPERTY OF OBERON PERFORMANCE LTD. ANY REPRODUCTION IN PART OR AS A WHOLE WITHOUT THE WRITTEN PERMISSION OF OBERON PERFORMANCE LTD IS PROHIBITED.

8 7 6 5 4 3 2 1

F
E
D
C
B
A

F
E
D
C
B
A