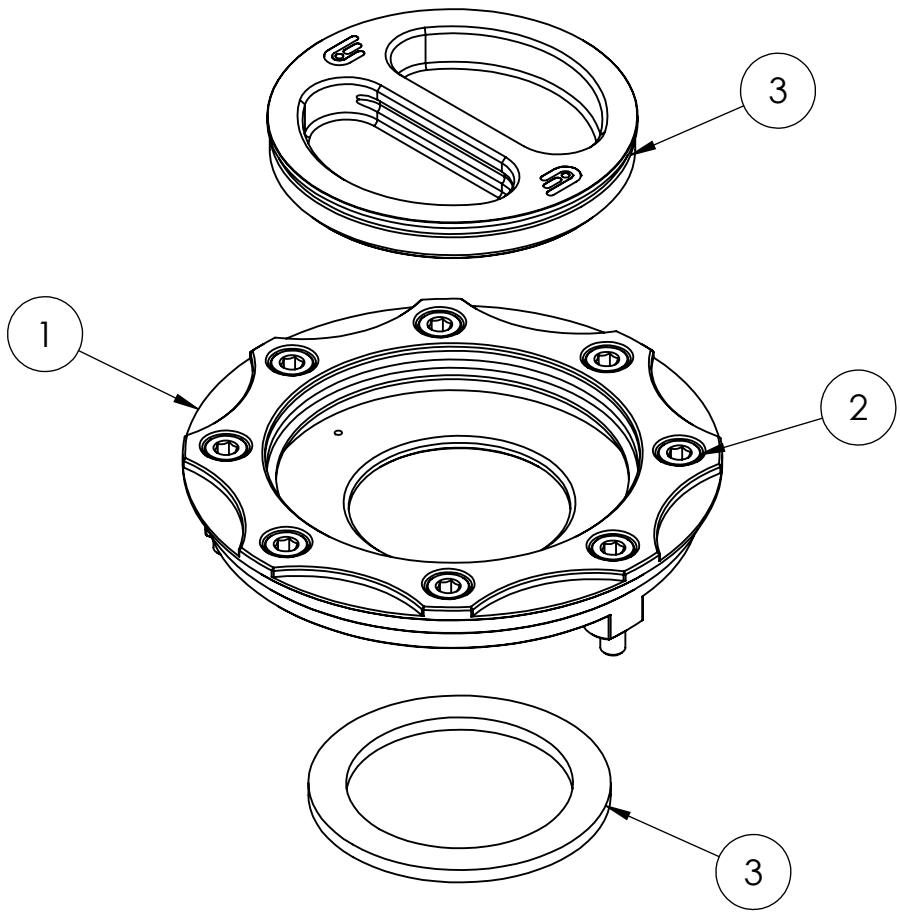


8 7 6 5 4 3 2 1

ITEM NO.	DESCRIPTION	QTY
1	Fully assembled fuel cap unit	1
2	Stainless Steel fasteners	6
3	Various Viton Gaskets	3



DO NOT SCALE DRAWING REVISION:



TITLE:  
**Whats in the box.**

**PROPRIETARY AND CONFIDENTIAL**  
 THE INFORMATION CONTAINED IN THIS DRAWING IS THE SOLE PROPERTY OF OBERON PERFORMANCE LTD. ANY REPRODUCTION IN PART OR AS A WHOLE WITHOUT THE WRITTEN PERMISSION OF OBERON PERFORMANCE LTD IS PROHIBITED.

DWG NO: **FUE-7006** **A4**

SCALE:

8 7 6 5 4 3 2 1