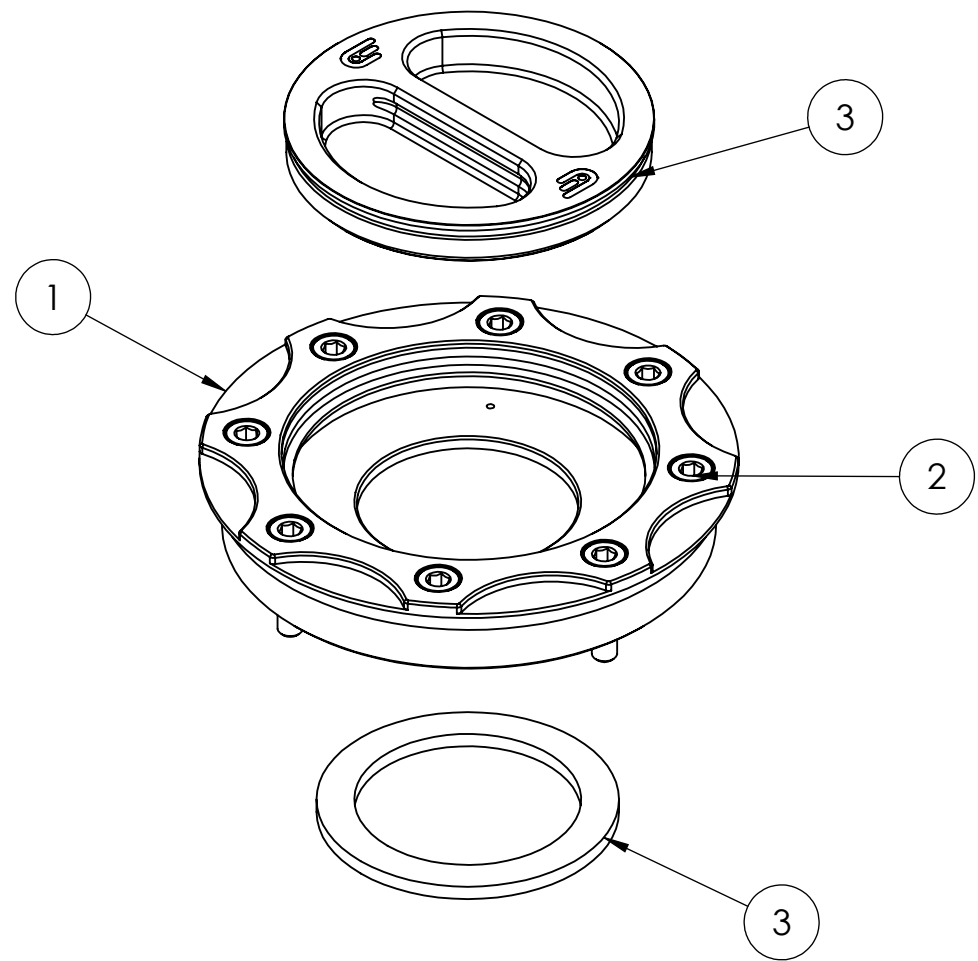


8 7 6 5 4 3 2 1


ITEM NO.	DESCRIPTION	QTY
1	Fully assembled fuel cap unit	1
2	Stainless Steel fasteners	8
3	Various Viton Gaskets	3



F
E
D
C
B
A

8 7 6 5 4 3 2 1

PROPRIETARY AND CONFIDENTIAL
 THE INFORMATION CONTAINED IN THIS DRAWING IS THE SOLE PROPERTY OF OBERON PERFORMANCE LTD. ANY REPRODUCTION IN PART OR AS A WHOLE WITHOUT THE WRITTEN PERMISSION OF OBERON PERFORMANCE LTD IS PROHIBITED.

DO NOT SCALE DRAWING		REVISION:
		
TITLE: Whats in the box.		
DWG NO: FUE-7005		A4
SCALE:		

F
E
D
C
B
A