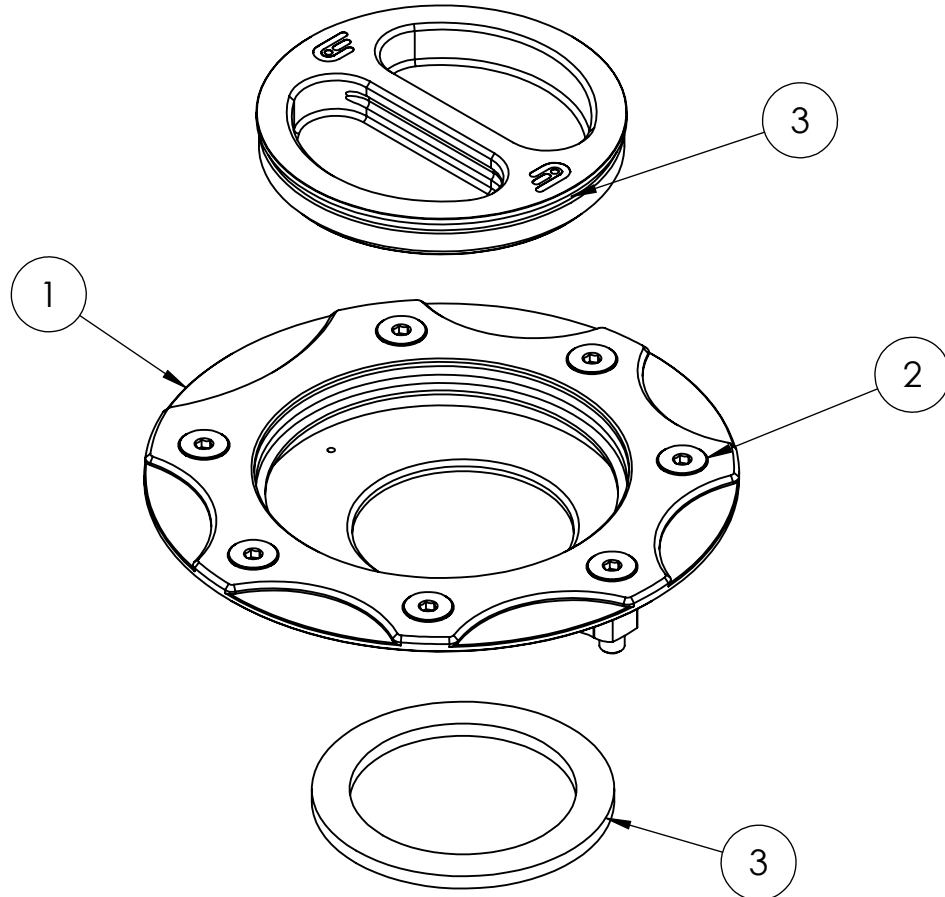



8 7 6 5 4 3 2 1

ITEM NO.	DESCRIPTION	QTY
1	Fully assembled fuel cap unit	1
2	Stainless Steel fasteners	7
3	Various Viton Gaskets	3



DO NOT SCALE DRAWING	REVISION:
	
TITLE: <h1>Whats in the box.</h1>	
DWG NO:	A4
FUE-7004	
SCALE:	

**PROPRIETARY AND CONFIDENTIAL**

THE INFORMATION CONTAINED IN THIS DRAWING IS THE SOLE PROPERTY OF OBERON PERFORMANCE LTD. ANY REPRODUCTION IN PART OR AS A WHOLE WITHOUT THE WRITTEN PERMISSION OF OBERON PERFORMANCE LTD IS PROHIBITED.

8 7 6 5 4 3 2 1

F  
E  
D  
C  
B  
A

F  
E  
D  
C  
B  
A