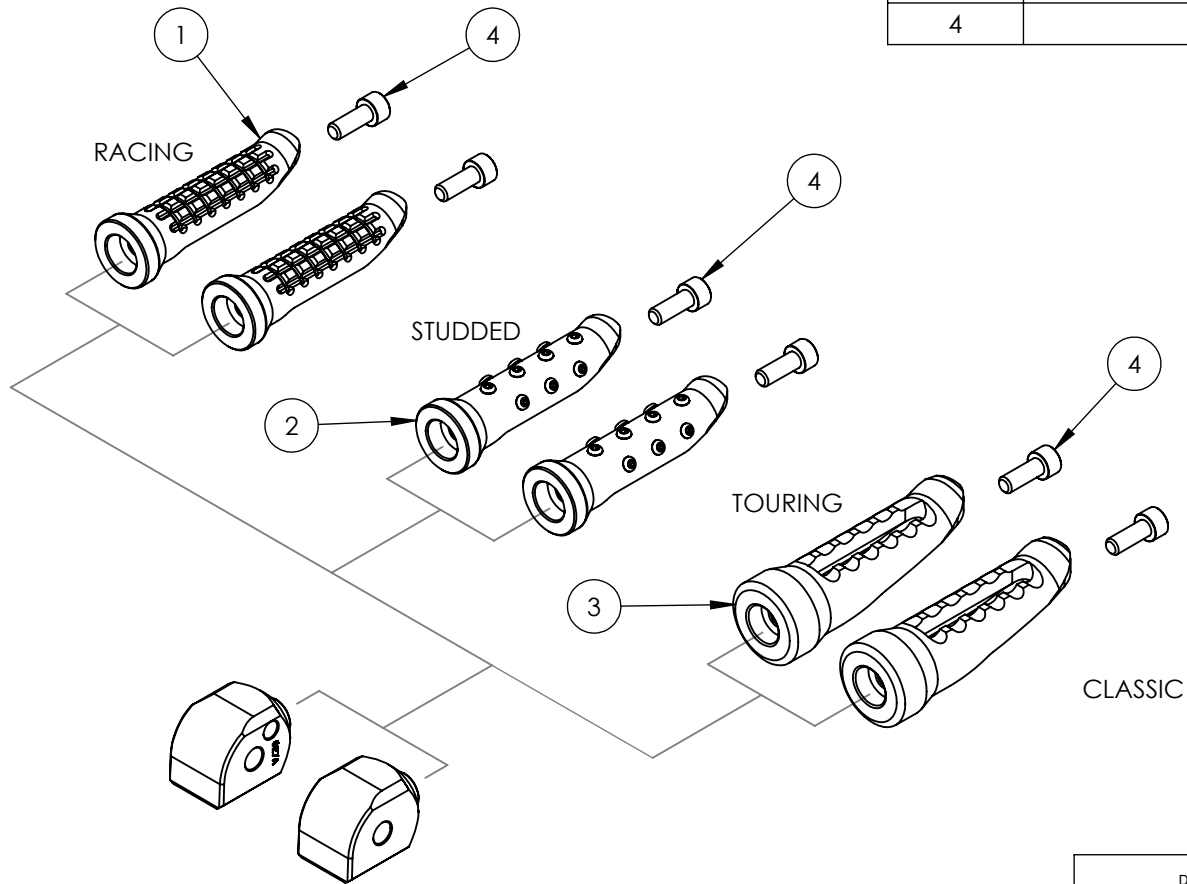


8 7 6 5 4 3 2 1


ITEM NO.	DESCRIPTION	QTY
1	Racing Footpeg	2
2	Studded Footpeg with studs	2
3	Touring Footpeg	2
4	M6 x 16mm	2



ITEM NO.	DESCRIPTION	QTY
1	Bike Specific Adaptor	2

PROPRIETARY AND CONFIDENTIAL

THE INFORMATION CONTAINED IN THIS DRAWING IS THE SOLE PROPERTY OF OBERON PERFORMANCE LTD. ANY REPRODUCTION IN PART OR AS A WHOLE WITHOUT THE WRITTEN PERMISSION OF OBERON PERFORMANCE LTD IS PROHIBITED.

DO NOT SCALE DRAWING		REVISION:
		
TITLE: Whats in the box.		
DWG NO:	FP-0027	A4
SCALE:		

8 7 6 5 4 3 2 1

F
E
D
C
B
A

F
E
D
C
B
A