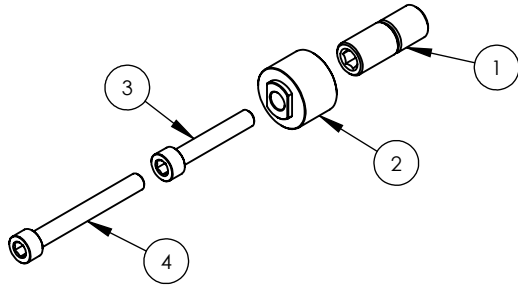
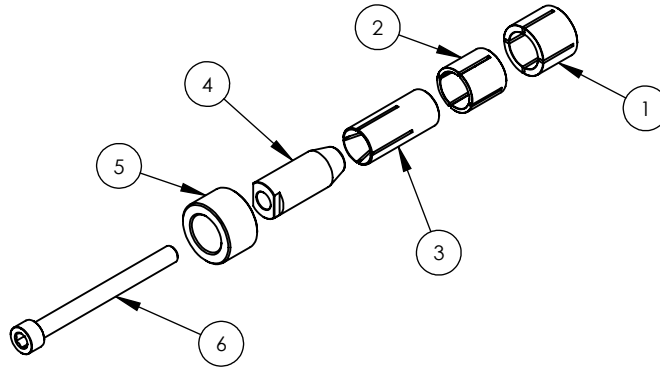


ELPB(C)-1000 Fitting Kit



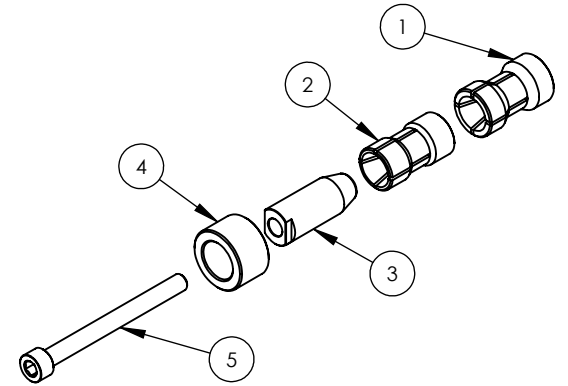
| ITEM NO. | DESCRIPTION | QTY |
|----------|-------------|-----|
| 1 | M12 Insert | 1 |
| 2 | Adaptor | 1 |
| 3 | M6 x 35mm | 1 |
| 4 | M6 x 50mm | 1 |

ELPB(C)-1419 Fitting Kit

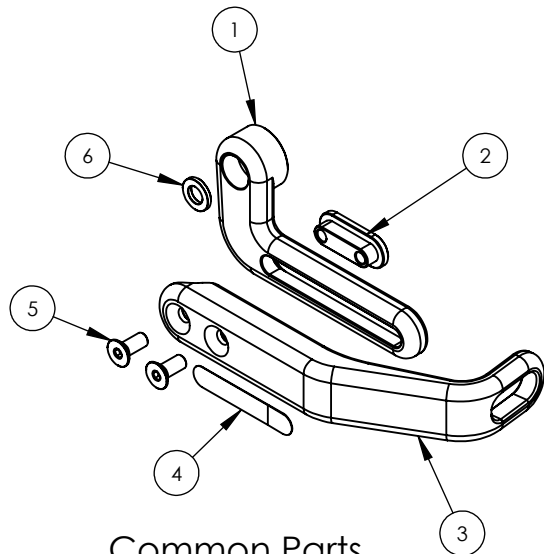


| ITEM NO. | DESCRIPTION | QTY |
|----------|-----------------|-----|
| 1 | 19mm Collet | 1 |
| 2 | 17mm Collet | 1 |
| 3 | 14mm Collet | 1 |
| 4 | Adaptor | 1 |
| 5 | Optional Spacer | 1 |
| 6 | M6 x 65mm | 1 |

ELPB(C)-1618 Fitting Kit



| ITEM NO. | DESCRIPTION | QTY |
|----------|-----------------|-----|
| 1 | 18mm Collet | 1 |
| 2 | 16mm Collet | 1 |
| 3 | Adaptor | 1 |
| 4 | Optional Spacer | 1 |
| 5 | M6 x 65mm | 1 |



Common Parts

| ITEM NO. | DESCRIPTION | QTY |
|----------|-------------|-----|
| 1 | Frame | 1 |
| 2 | Lock Nut | 1 |
| 3 | Blade | 1 |
| 4 | Decal | 1 |
| 5 | M6 x 16mm | 2 |
| 6 | Washer | 1 |

PROPRIETARY AND CONFIDENTIAL

THE INFORMATION CONTAINED IN THIS DRAWING IS THE SOLE PROPERTY OF OBERON PERFORMANCE LTD. ANY REPRODUCTION IN PART OR AS A WHOLE WITHOUT THE WRITTEN PERMISSION OF OBERON PERFORMANCE LTD IS PROHIBITED.

DO NOT SCALE DRAWING

REVISION:



TITLE:

Whats in the box.

DWG NO:

ELP-1000

A4

SCALE: