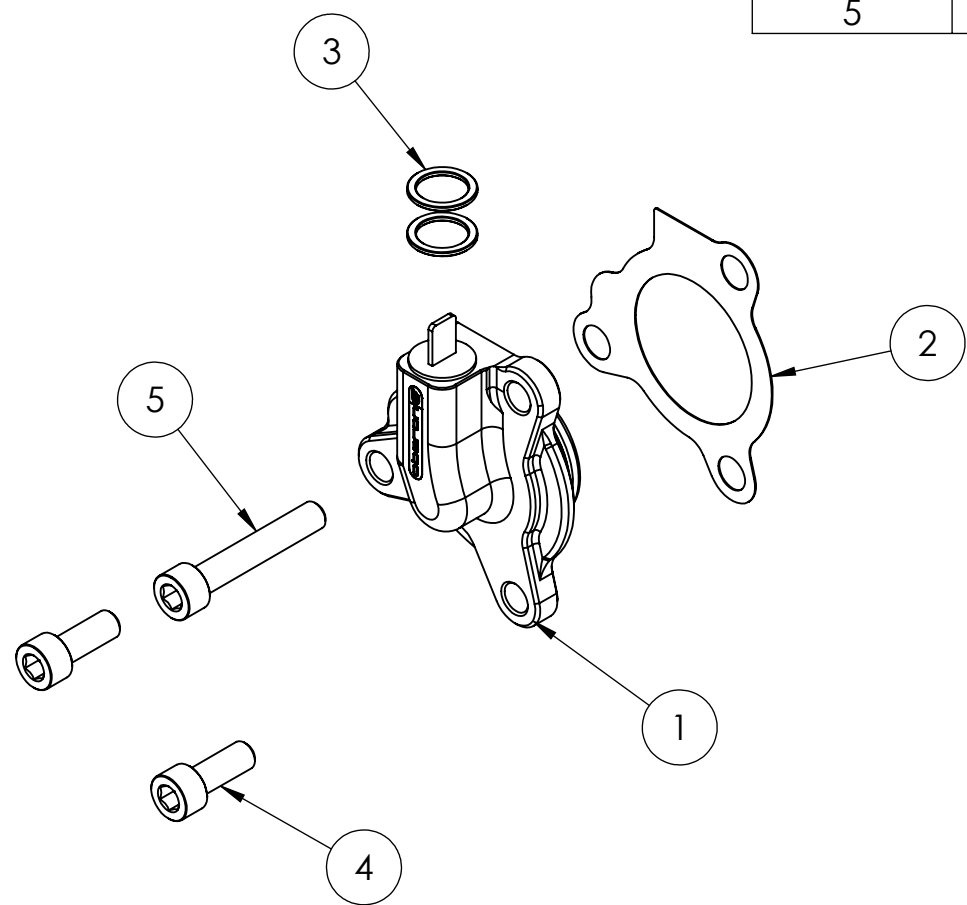



8 7 6 5 4 3 2 1

ITEM NO.	DESCRIPTION	QTY
1	Fully assembled clutch slave unit	1
2	Gasket	1
3	Sealing washer	2
4	M6 x 16mm	2
5	M6 x 35mm	1



F
E
D
C
B
A

8 7 6 5 4 3 2 1

DO NOT SCALE DRAWING		REVISION:
		
TITLE: <h1>Whats in the box.</h1>		
DWG NO:		A4
<h2>CLU-4050</h2>		
SCALE:		

PROPRIETARY AND CONFIDENTIAL

THE INFORMATION CONTAINED IN THIS DRAWING IS THE SOLE PROPERTY OF OBERON PERFORMANCE LTD. ANY REPRODUCTION IN PART OR AS A WHOLE WITHOUT THE WRITTEN PERMISSION OF OBERON PERFORMANCE LTD IS PROHIBITED.