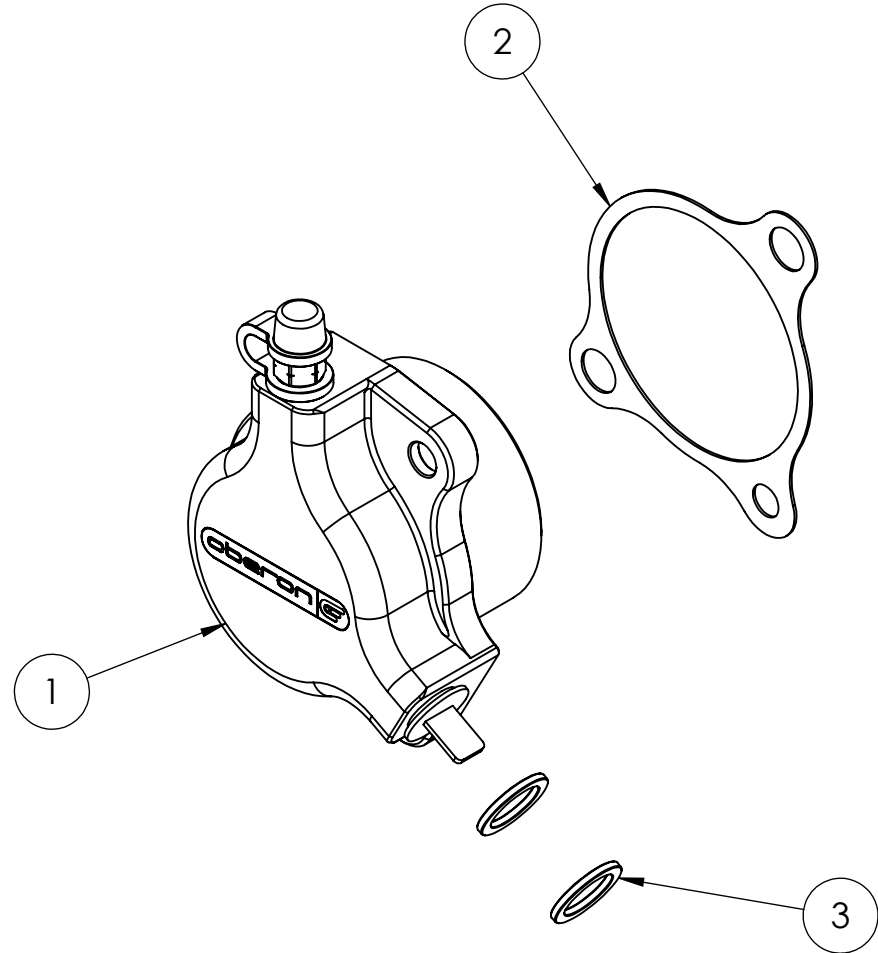



8 7 6 5 4 3 2 1

ITEM NO.	DESCRIPTION	QTY
1	Fully assembled clutch slave unit	1
2	Gasket	1
3	Sealing washer	2



F
E
D
C
B
A

8 7 6 5 4 3 2 1

DO NOT SCALE DRAWING		REVISION:
		
TITLE: Whats in the box.		
DWG NO: CLU-3036		A4
SCALE:		

PROPRIETARY AND CONFIDENTIAL

THE INFORMATION CONTAINED IN THIS DRAWING IS THE SOLE PROPERTY OF OBERON PERFORMANCE LTD. ANY REPRODUCTION IN PART OR AS A WHOLE WITHOUT THE WRITTEN PERMISSION OF OBERON PERFORMANCE LTD IS PROHIBITED.