

8

7

6

5

4

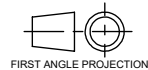
3

2

1

TITLE:

# CLU-2775



FIRST ANGLE PROJECTION

IF IN DOUBT ASK

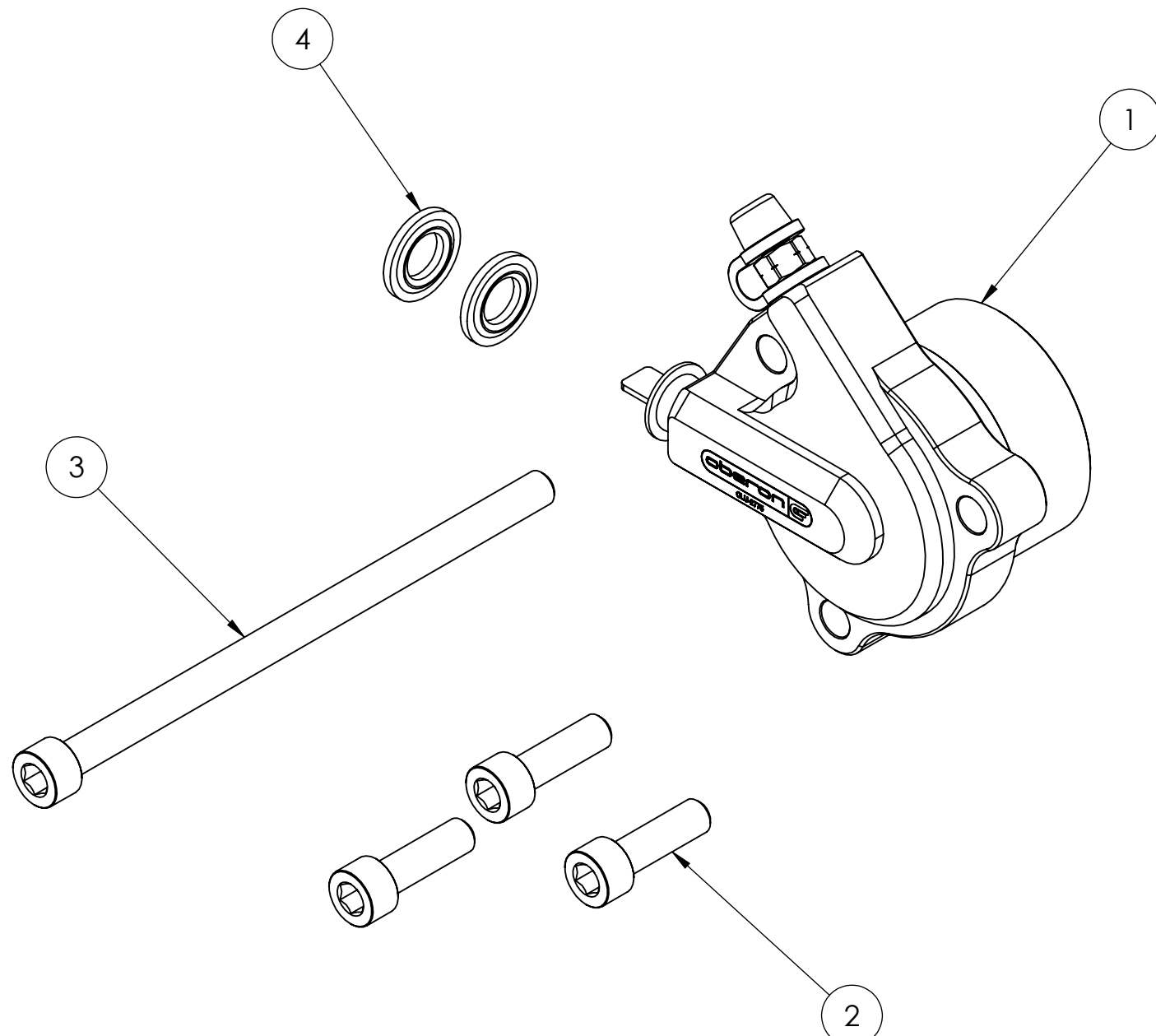
**PROPRIETARY AND CONFIDENTIAL**  
THE INFORMATION CONTAINED IN THIS DRAWING IS THE SOLE PROPERTY OF OBERON PERFORMANCE LIMITED.  
ANY REPRODUCTION IN PART OR AS A WHOLE WITHOUT THE WRITTEN PERMISSION OF OBERON PERFORMANCE LIMITED IS PROHIBITED.



11 Havant Business Centre  
Harts Farm Way  
Havant  
Hampshire  
PO91 HU  
UK  
Tel: +44 02392 481 188  
Fax: +44 02392 492 458  
admin@oberon-performance.co.uk  
Web: oberon-performance.co.uk  
© Oberon Performance Limited

ITEM NO	DESCRIPTION	QTY
1	Fully assembled clutch slave unit	1
2	M6 x 20mm	3
3	M6 x 110mm	1
4	Sealing Washers	2

REVISIONS		
REV	DESCRIPTION	DATE



DO NOT SCALE DRAWING      REVISION

	NAME	SIGNATURE	DATE
DRAWN			
CHK'D			
APPV'D			
MFG			
Q.A			

UNLESS OTHERWISE SPECIFIED:  
DIMENSIONS ARE IN MILLIMETERS  
TOLERANCES:  
LINEAR: +/- 0.10  
ANGULAR: +/- 0.5°

DEBURR AND  
BREAK SHARP  
EDGES

FINISH:

WEIGHT:      MATERIAL:

TITLE:

## What is in the box

DWG NO.

# CLU-2775

SCALE:1:2      A3      SHEET 1 OF 1

8

7

6

5

4

3

2

1