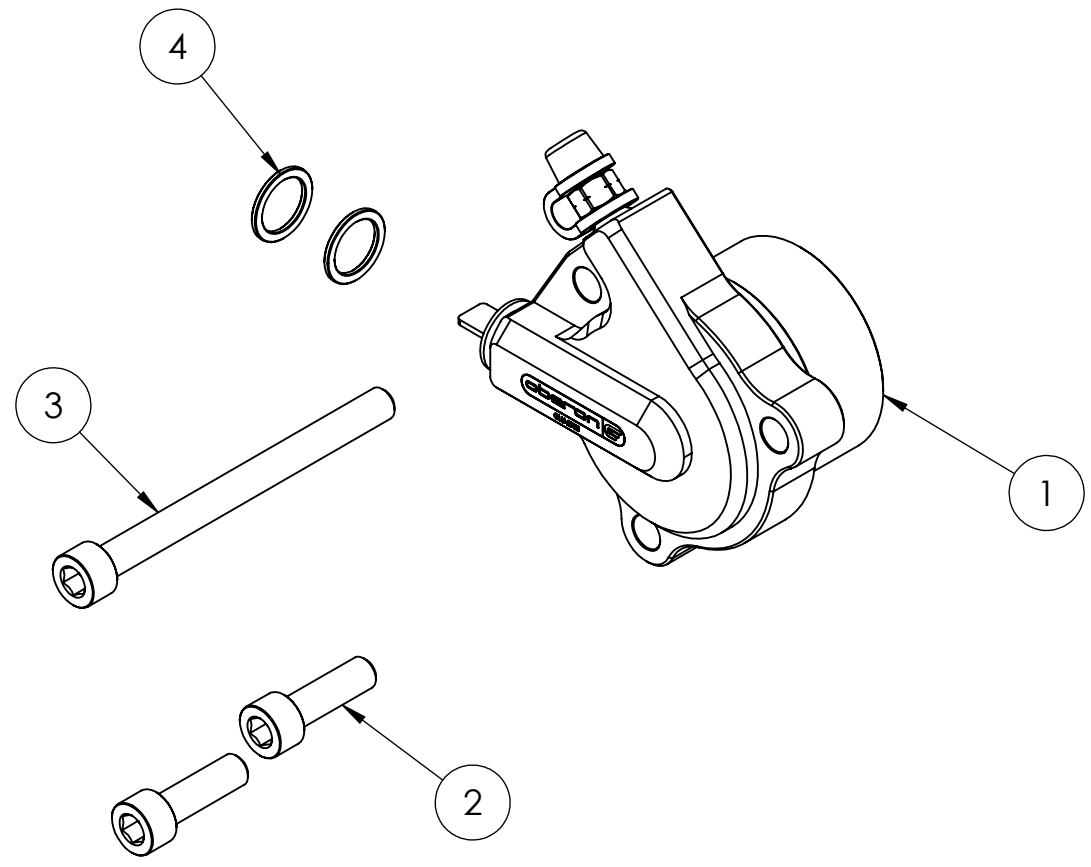



ITEM NO.	DESCRIPTION	QTY
1	Fully assembled clutch slave unit	1
2	M6 x 20mm	2
3	M6 x 70mm	1
4	Sealing washer	2



DO NOT SCALE DRAWING		REVISION:
		
TITLE: <h1>Whats in the box.</h1>		
DWG NO:		A4
<h2>CLU-2750</h2>		
SCALE:		

**PROPRIETARY AND CONFIDENTIAL**

THE INFORMATION CONTAINED IN THIS DRAWING IS THE SOLE PROPERTY OF OBERON PERFORMANCE LTD. ANY REPRODUCTION IN PART OR AS A WHOLE WITHOUT THE WRITTEN PERMISSION OF OBERON PERFORMANCE LTD IS PROHIBITED.

