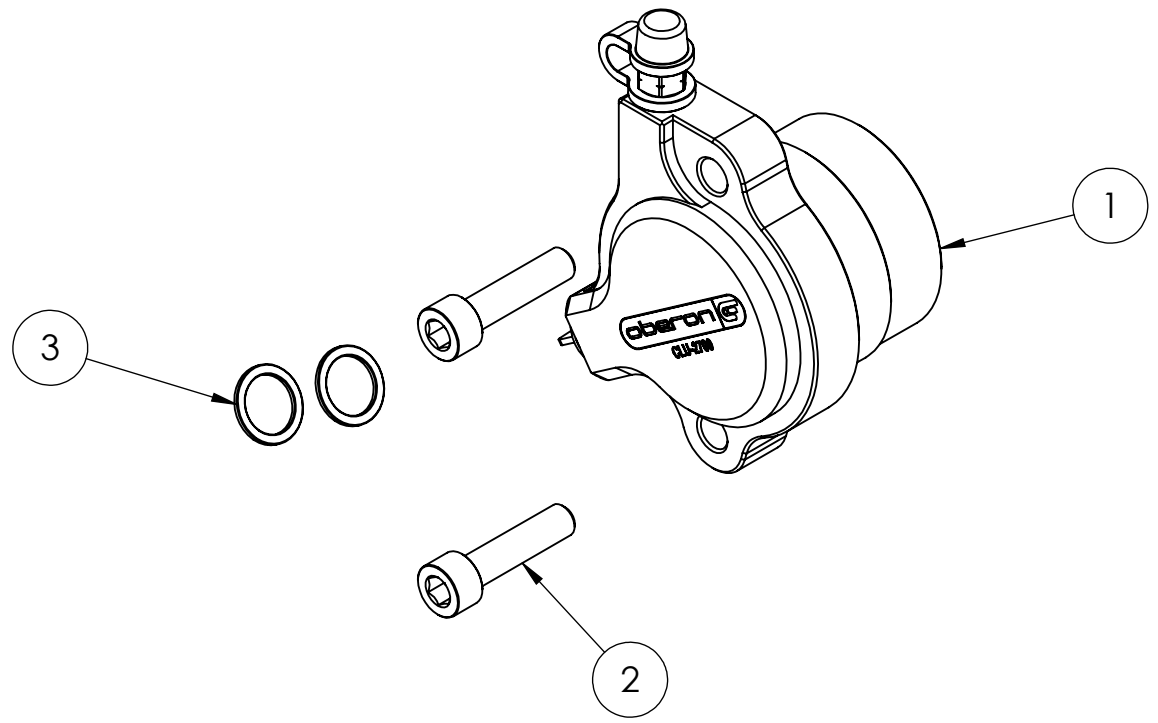



ITEM NO.	DESCRIPTION	QTY
1	Fully assembled clutch slave unit	1
2	M6 x 25mm	2
3	Sealing washer	2



DO NOT SCALE DRAWING		REVISION:
		
TITLE:		
<b>Whats in the box.</b>		
DWG NO:	<b>CLU-2700</b>	<b>A4</b>
SCALE:		

**PROPRIETARY AND CONFIDENTIAL**

THE INFORMATION CONTAINED IN THIS DRAWING IS THE SOLE PROPERTY OF OBERON PERFORMANCE LTD. ANY REPRODUCTION IN PART OR AS A WHOLE WITHOUT THE WRITTEN PERMISSION OF OBERON PERFORMANCE LTD IS PROHIBITED.