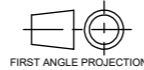


TITLE:

# Yamaha XJR1200/1300 Clutch Slave Unit



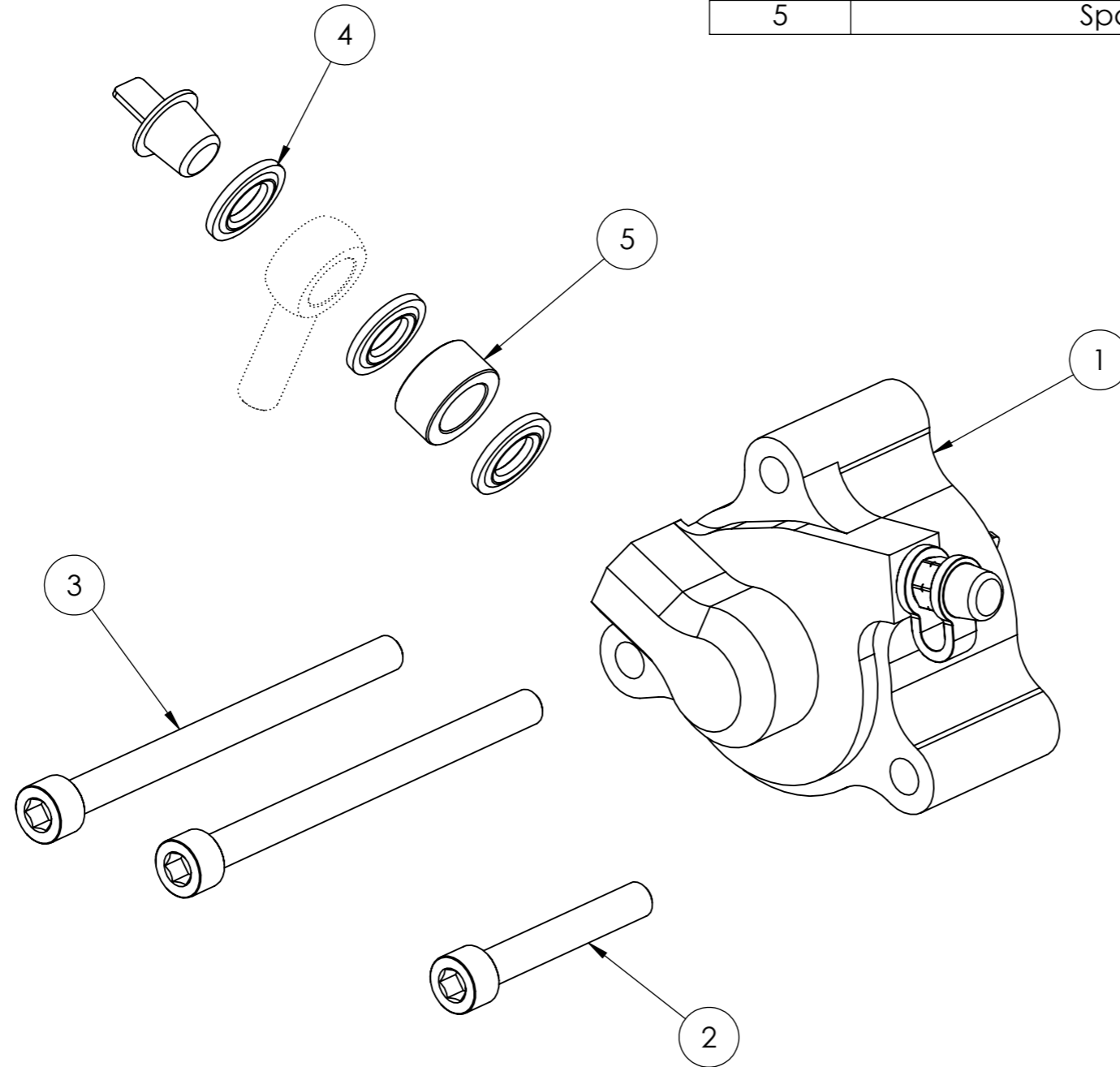
IF IN DOUBT ASK

**PROPRIETARY AND CONFIDENTIAL**  
THE INFORMATION CONTAINED IN THIS DRAWING IS THE SOLE PROPERTY OF OBERON PERFORMANCE LIMITED.  
ANY REPRODUCTION IN PART OR AS A WHOLE WITHOUT THE WRITTEN PERMISSION OF OBERON PERFORMANCE LIMITED IS PROHIBITED.



11 Havant Business Centre Tel: +44 02392 481 188  
Harts Farm Way Fax: +44 02392 492 458  
Havant admin@oberon-performance.co.uk  
Hampshire PO91 HU Web: oberon-performance.co.uk  
UK © Oberon Performance Limited

Item No	Description	QTY
1	Fully assembled clutch slave unit	1
2	M60 x 40	1
3	M6 x 80	2
4	Sealing Washers	3
5	Spacer	1



REVISIONS		
REV	DESCRIPTION	DATE

DO NOT SCALE DRAWING		REVISION	
NAME	SIGNATURE	DATE	
DRAWN			
CHK'D			
APPVD			
MFG			
Q.A			

UNLESS OTHERWISE SPECIFIED:  
DIMENSIONS ARE IN MILLIMETERS  
TOLERANCES:  
LINEAR: +/- 0.10  
ANGULAR: +/- 0.5°

DEBURR AND  
BREAK SHARP  
EDGES

FINISH:

WEIGHT: MATERIAL:

TITLE:  
**Yamaha XJR1200/1300  
Clutch Slave Unit**

DWG NO.  
**whats\_in\_the\_box\_CLU-1700**