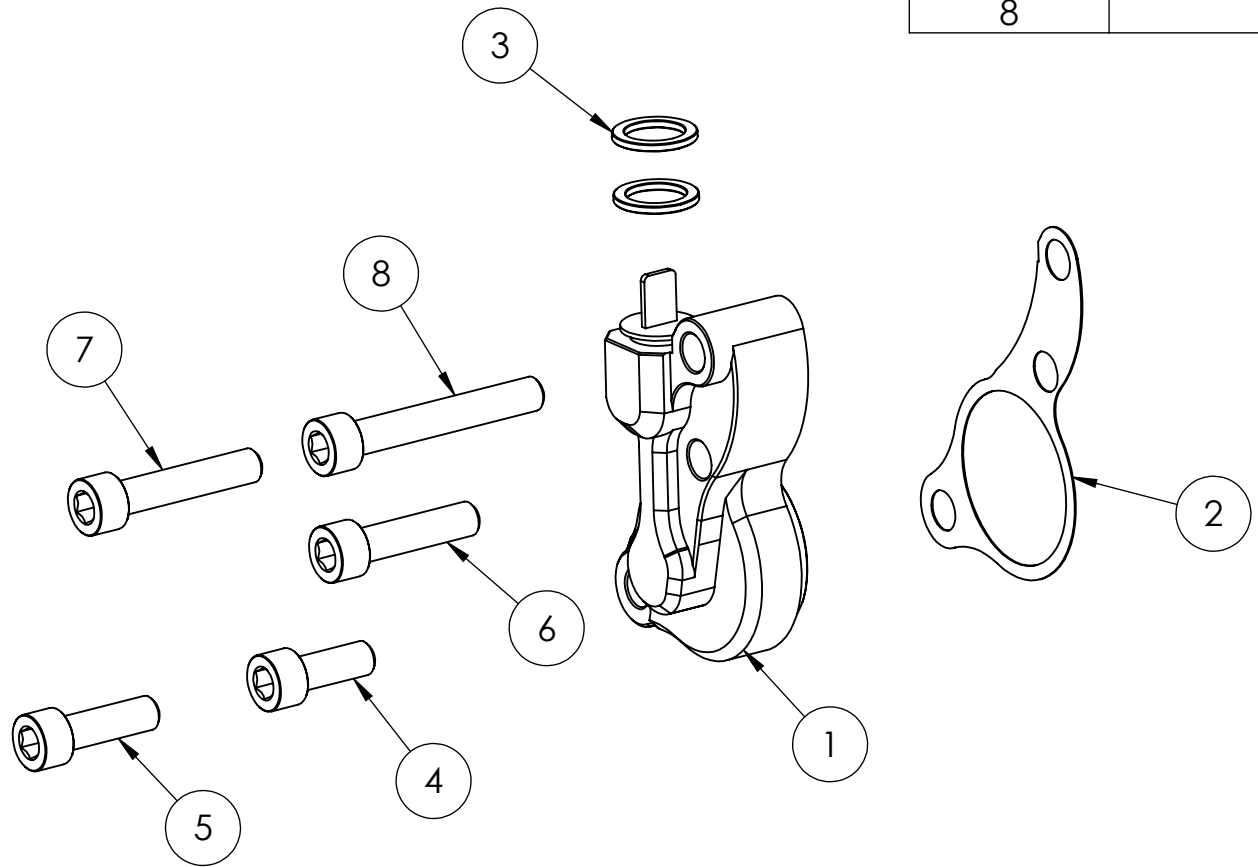



8 7 6 5 4 3 2 1

ITEM NO.	DESCRIPTION	QTY
1	Fully assembled clutch slave unit	1
2	Gasket	1
3	Sealing washer	2
4	M6 x 16mm	1
5	M6 x 20mm	1
6	M6 x 25mm	1
7	M6 x 30mm	1
8	M6 x 40mm	1



DO NOT SCALE DRAWING		REVISION:
		
TITLE: <b>Whats in the box.</b>		
DWG NO:	<b>CLU-1600</b>	<b>A4</b>
SCALE:		

**PROPRIETARY AND CONFIDENTIAL**

THE INFORMATION CONTAINED IN THIS DRAWING IS THE SOLE PROPERTY OF OBERON PERFORMANCE LTD. ANY REPRODUCTION IN PART OR AS A WHOLE WITHOUT THE WRITTEN PERMISSION OF OBERON PERFORMANCE LTD IS PROHIBITED.

8 7 6 5 4 3 2 1