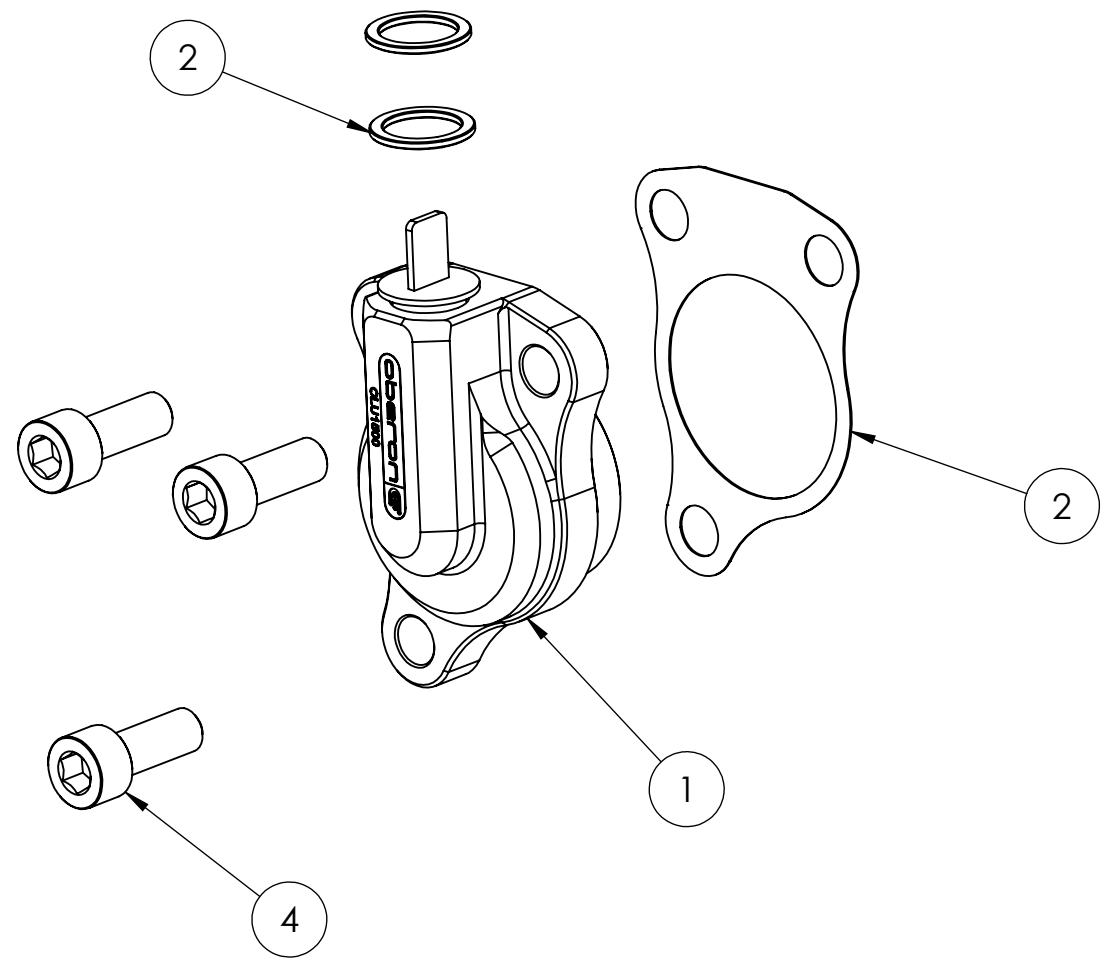



ITEM NO.	DESCRIPTION	QTY
1	Fully assembled clutch slave unit	1
2	Gasket	1
3	Sealing washer	2
4	M6 x 16mm	3



DO NOT SCALE DRAWING		REVISION:
		
TITLE:		
Whats in the box.		
DWG NO:		A4
CLU-1500		
SCALE:		

PROPRIETARY AND CONFIDENTIAL

THE INFORMATION CONTAINED IN THIS DRAWING IS THE SOLE PROPERTY OF OBERON PERFORMANCE LTD. ANY REPRODUCTION IN PART OR AS A WHOLE WITHOUT THE WRITTEN PERMISSION OF OBERON PERFORMANCE LTD IS PROHIBITED.