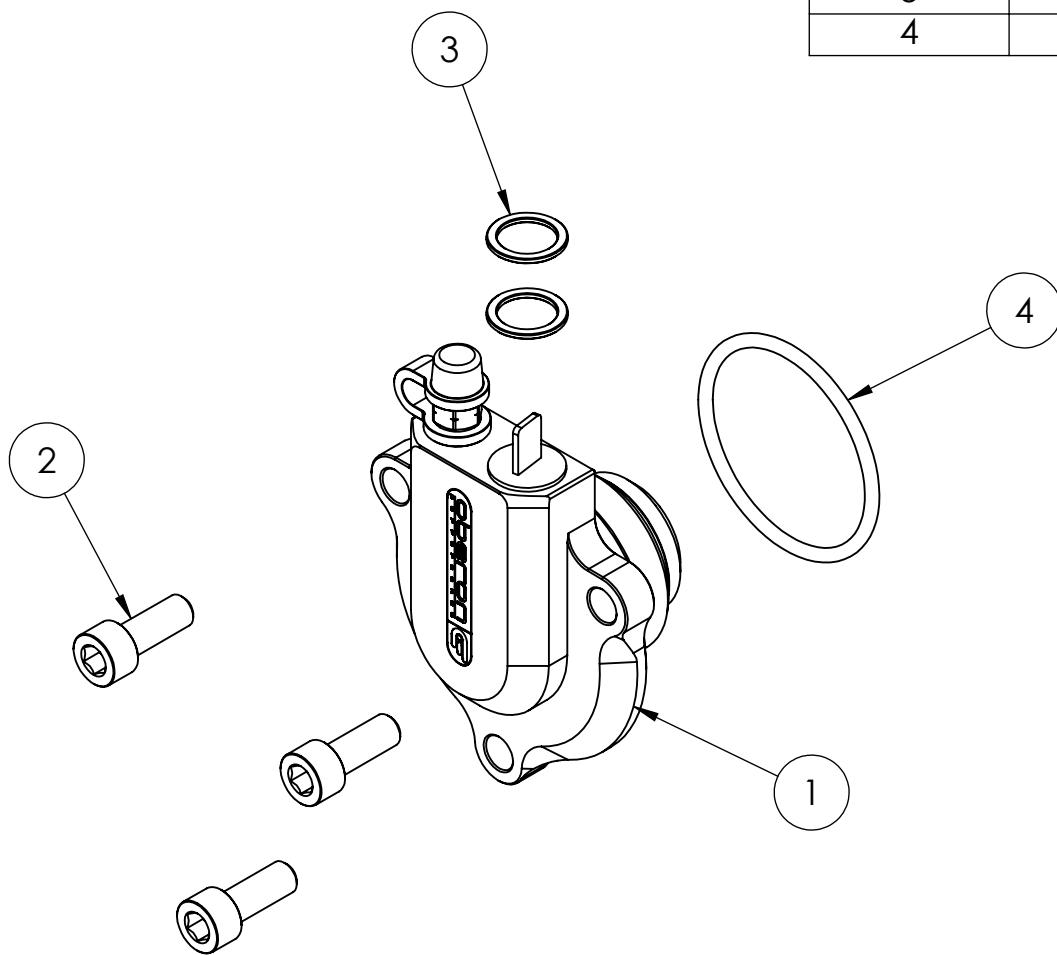



8 7 6 5 4 3 2 1

| ITEM NO. | DESCRIPTION | QTY |
|----------|-----------------------------------|-----|
| 1 | Fully assembled clutch slave unit | 1 |
| 2 | M6 x 16mm | 3 |
| 3 | Sealing washer | 2 |
| 4 | O-Ring | 1 |

F
E
D
C
B
A



8 7 6 5 4 3 2 1

| | | |
|---|--|-----------|
| DO NOT SCALE DRAWING | | REVISION: |
|  | | |
| TITLE: | | |
| Whats in the box. | | |
| DWG NO: | | A4 |
| SCALE: | | |

PROPRIETARY AND CONFIDENTIAL

THE INFORMATION CONTAINED IN THIS DRAWING IS THE SOLE PROPERTY OF OBERON PERFORMANCE LTD. ANY REPRODUCTION IN PART OR AS A WHOLE WITHOUT THE WRITTEN PERMISSION OF OBERON PERFORMANCE LTD IS PROHIBITED.