

8 7 6 5 4 3 2 1

ITEM NO.	DESCRIPTION	QTY.
1	Fully assembled clutch slave unit	1

F

F

E

E

D

D

C

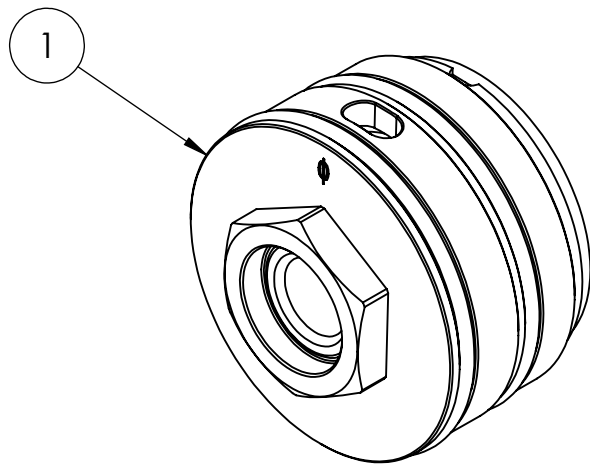
C

B

B

A

A



DO NOT SCALE DRAWING	REVISION:
----------------------	-----------



TITLE: Whats in the box.	
------------------------------------	--

PROPRIETARY AND CONFIDENTIAL

THE INFORMATION CONTAINED IN THIS DRAWING IS THE SOLE PROPERTY OF OBERON PERFORMANCE LTD. ANY REPRODUCTION IN PART OR AS A WHOLE WITHOUT THE WRITTEN PERMISSION OF OBERON PERFORMANCE LTD IS PROHIBITED.

DWG NO: CLU-1125	A4
----------------------------	-----------

SCALE:	
--------	--

8 7 6 5 4 3 2 1