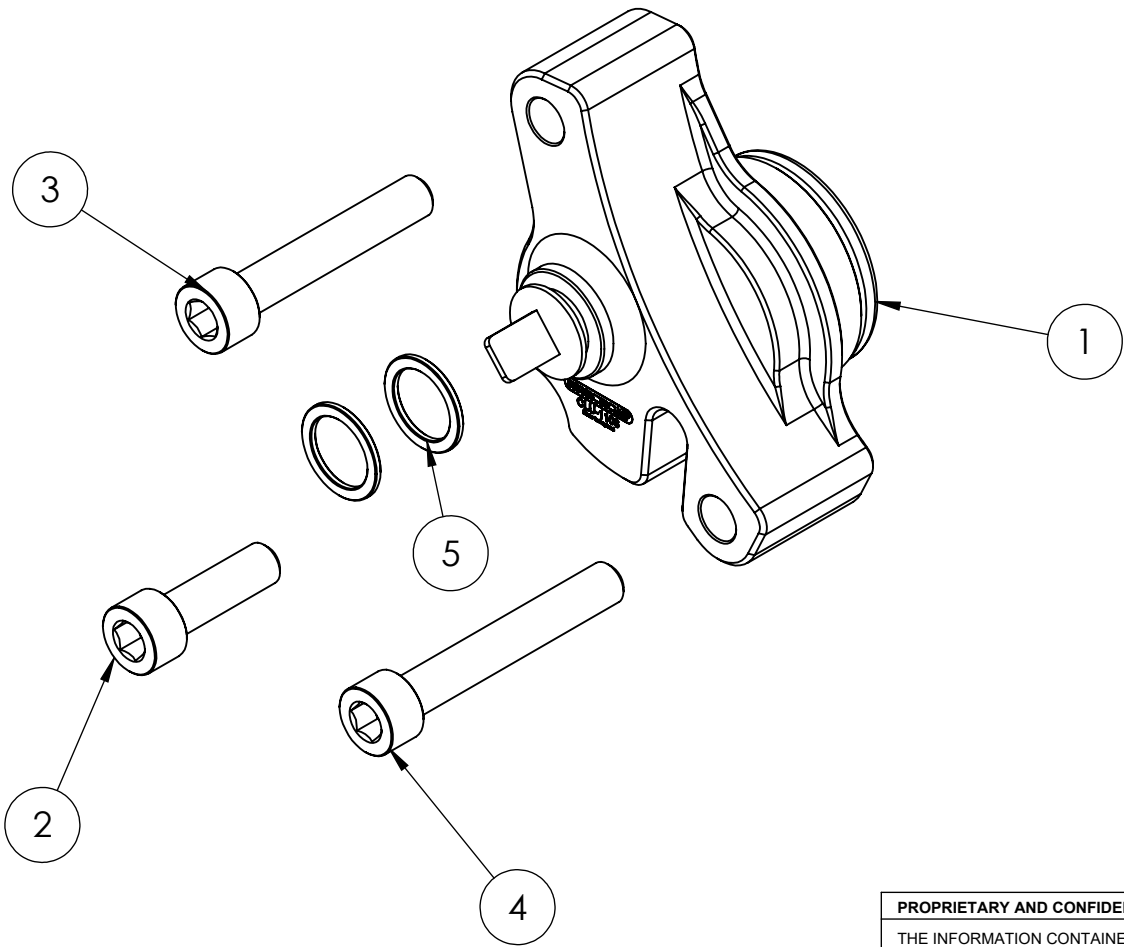


8 7 6 5 4 3 2 1

ITEM NO.	DESCRIPTION	QTY.
1	Fully assembled clutch slave unit	1
2	M6 x 20mm	1
3	M6 x 35mm	1
4	M6 x 40mm	1
5	Sealing Washer	2



DO NOT SCALE DRAWING REVISION:



TITLE:
Whats in the box.

PROPRIETARY AND CONFIDENTIAL
 THE INFORMATION CONTAINED IN THIS DRAWING IS THE SOLE PROPERTY OF OBERON PERFORMANCE LTD. ANY REPRODUCTION IN PART OR AS A WHOLE WITHOUT THE WRITTEN PERMISSION OF OBERON PERFORMANCE LTD IS PROHIBITED.

DWG NO: **CLU-1103** **A4**

SCALE:

8 7 6 5 4 3 2 1

F
E
D
C
B
A

F
E
D
C
B
A