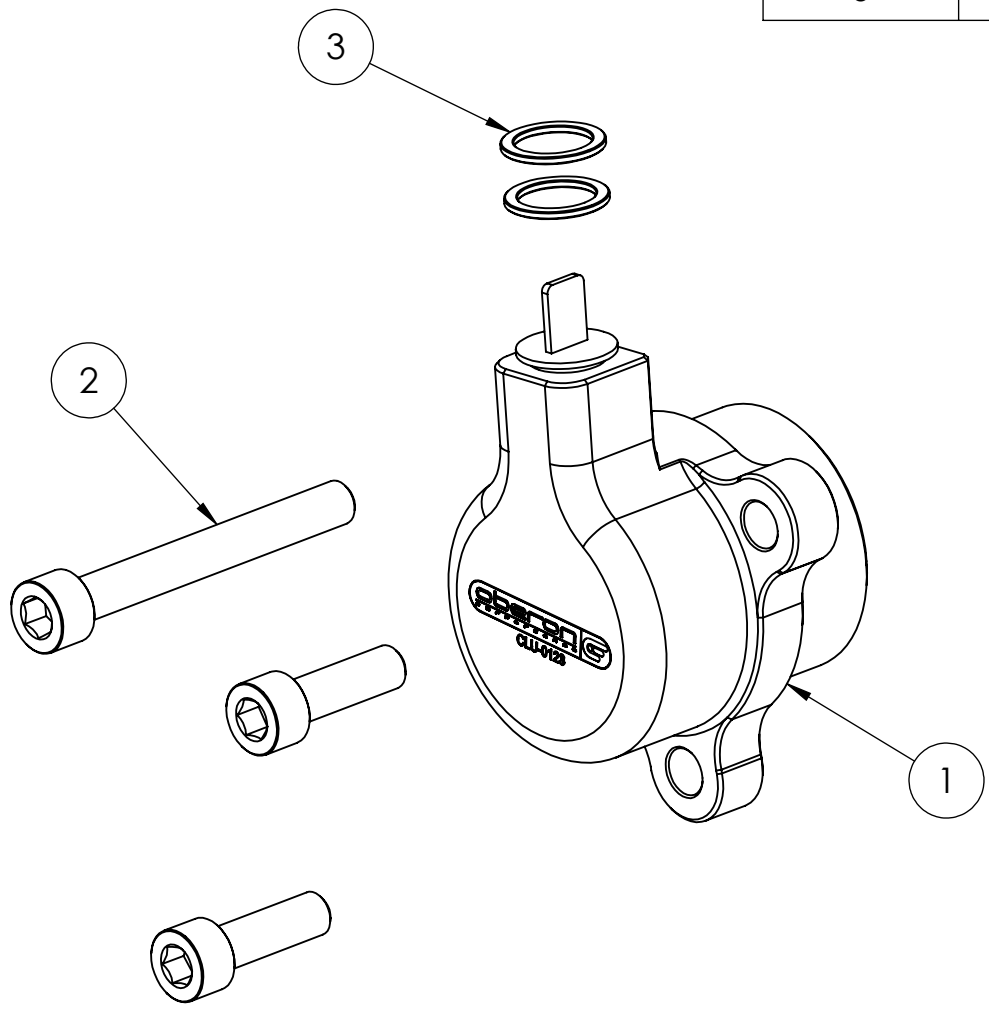


8 7 6 5 4 3 2 1

ITEM NO.	DESCRIPTION	QTY.
1	Fully assembled clutch slave unit	1
2	M6 Bolts	3
3	Sealing washer	2

F
E
D
C
B
A



DO NOT SCALE DRAWING REVISION:



TITLE:
Whats in the box.

PROPRIETARY AND CONFIDENTIAL
THE INFORMATION CONTAINED IN THIS DRAWING IS THE SOLE PROPERTY OF OBERON PERFORMANCE LTD. ANY REPRODUCTION IN PART OR AS A WHOLE WITHOUT THE WRITTEN PERMISSION OF OBERON PERFORMANCE LTD IS PROHIBITED.

DWG NO: **CLU-0123** **A4**

SCALE:

8 7 6 5 4 3 2 1