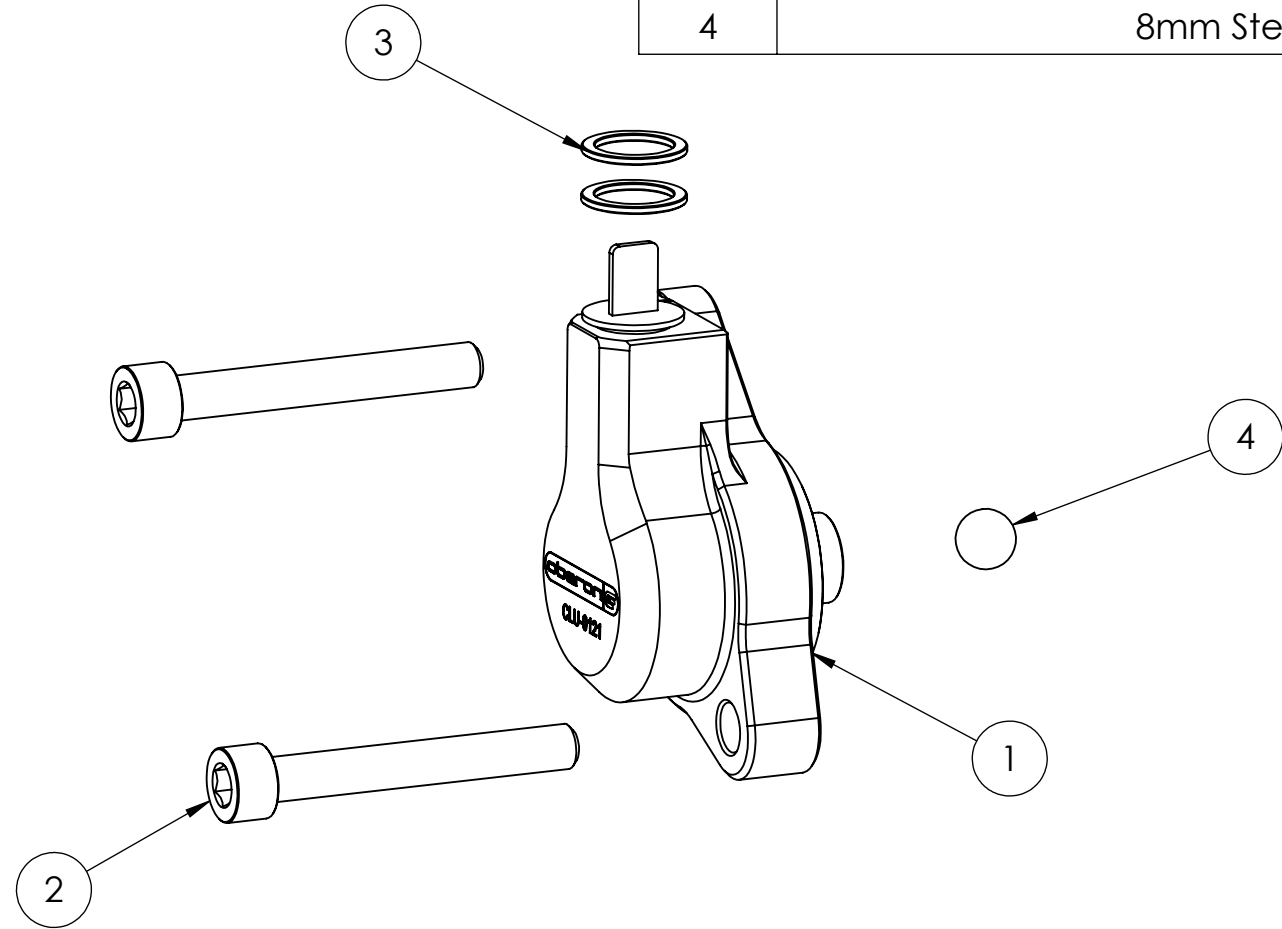



8 7 6 5 4 3 2 1

ITEM NO.	DESCRIPTION	QTY.
1	Fully assembled clutch slave unit	1
2	M6 Fastener	Various
3	Sealing Washer	2
4	8mm Steel Ball	1



DO NOT SCALE DRAWING		REVISION:
		
TITLE: <b>Whats in the box.</b>		
DWG NO: <b>CLU-0121</b>		<b>A4</b>
SCALE:		

**PROPRIETARY AND CONFIDENTIAL**

THE INFORMATION CONTAINED IN THIS DRAWING IS THE SOLE PROPERTY OF OBERON PERFORMANCE LTD. ANY REPRODUCTION IN PART OR AS A WHOLE WITHOUT THE WRITTEN PERMISSION OF OBERON PERFORMANCE LTD IS PROHIBITED.

8 7 6 5 4 3 2 1

F  
E  
D  
C  
B  
A

F  
E  
D  
C  
B  
A