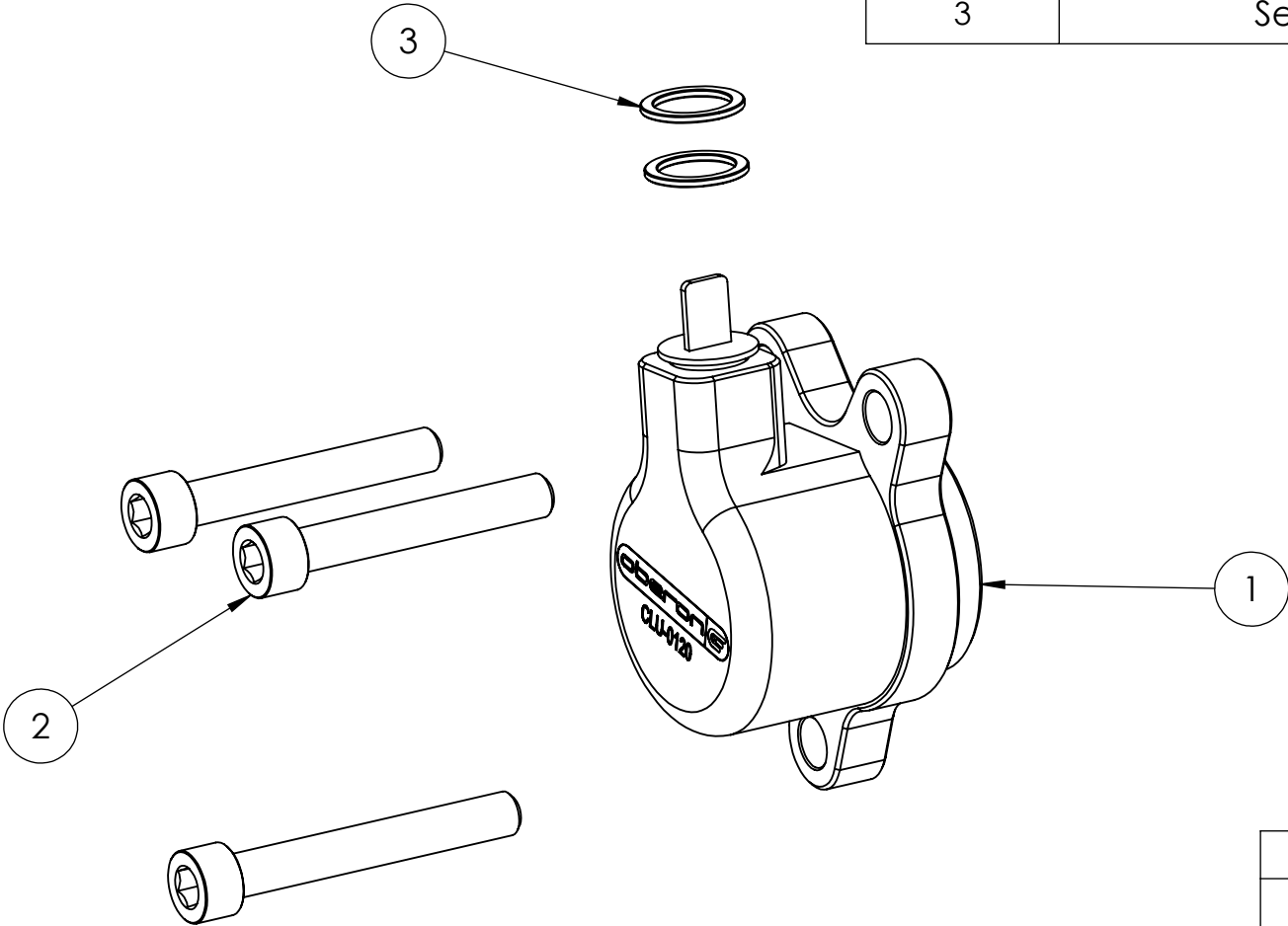


8 7 6 5 4 3 2 1

ITEM NO.	DESCRIPTION	QTY.
1	Fully assembled clutch slave unit	1
2	M6 Bolts	3
3	Sealing Washer	2



DO NOT SCALE DRAWING REVISION:



TITLE: **Whats in the box.**

**PROPRIETARY AND CONFIDENTIAL**  
 THE INFORMATION CONTAINED IN THIS DRAWING IS THE SOLE PROPERTY OF OBERON PERFORMANCE LTD. ANY REPRODUCTION IN PART OR AS A WHOLE WITHOUT THE WRITTEN PERMISSION OF OBERON PERFORMANCE LTD IS PROHIBITED.

DWG NO: **CLU-0120** **A4**

SCALE: 1:2

8 7 6 5 4 3 2 1

F  
E  
D  
C  
B  
A

F  
E  
D  
C  
B  
A