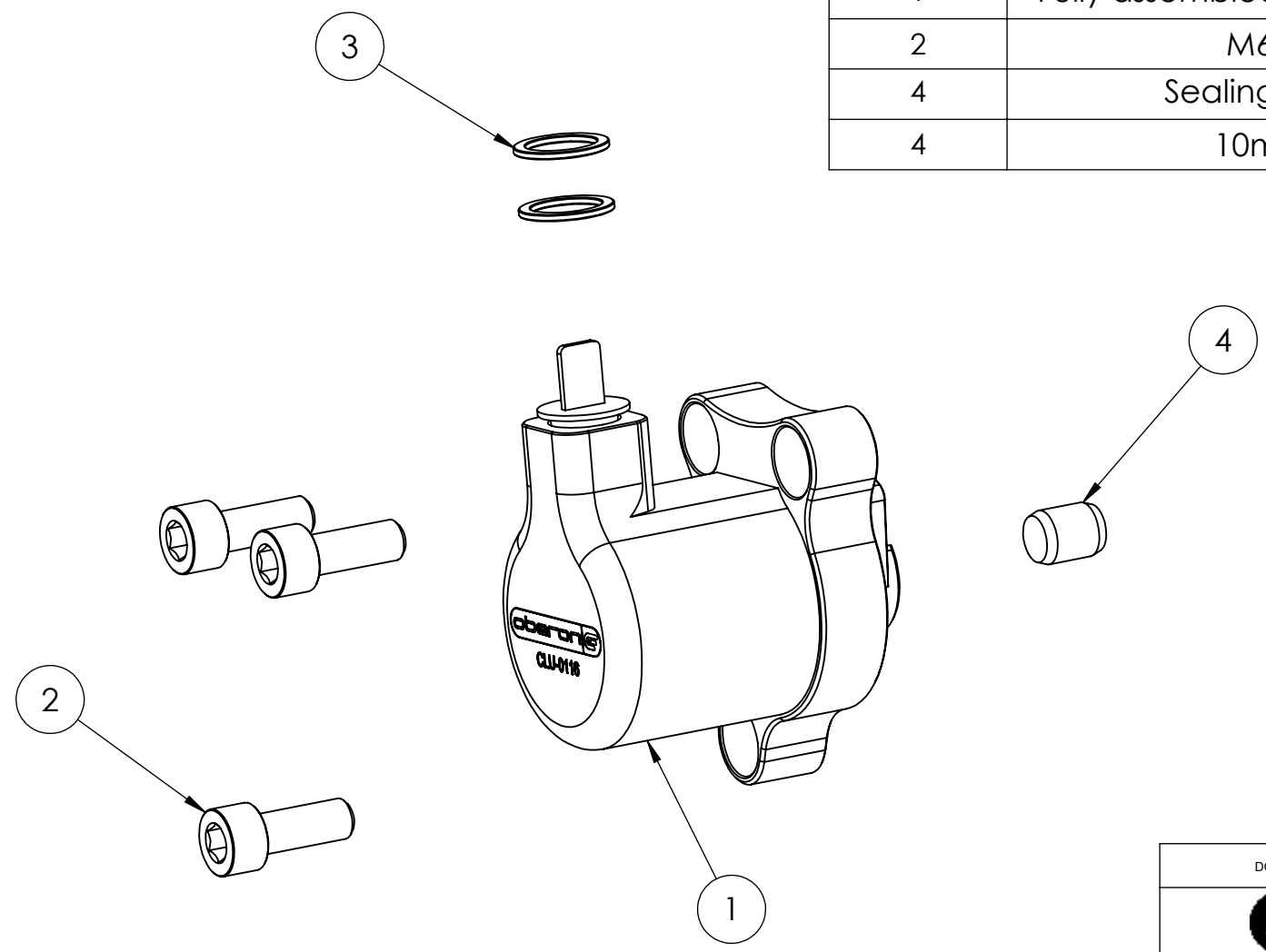



8 7 6 5 4 3 2 1

ITEM NO.	DESCRIPTION	QTY.
1	Fully assembled clutch slave unit	1
2	M6 Bolts	3
4	Sealing Washers	2
4	10mm Pin	1

F  
E  
D  
C  
B  
A



DO NOT SCALE DRAWING		REVISION:
		
TITLE:		
<b>Whats in the box.</b>		
DWG NO:	<b>CLU-0116</b>	<b>A4</b>
SCALE: 1:5		

**PROPRIETARY AND CONFIDENTIAL**

THE INFORMATION CONTAINED IN THIS DRAWING IS THE SOLE PROPERTY OF OBERON PERFORMANCE LTD. ANY REPRODUCTION IN PART OR AS A WHOLE WITHOUT THE WRITTEN PERMISSION OF OBERON PERFORMANCE LTD IS PROHIBITED.

8 7 6 5 4 3 2 1