

8 7 6 5 4 3 2 1

| ITEM NO. | PART NUMBER | DESCRIPTION | QTY. |
|----------|-------------|-------------------|------|
| 1 | 798-022-14 | 22mm Brass Collet | 1 |

F

F

E

E

D

D

C

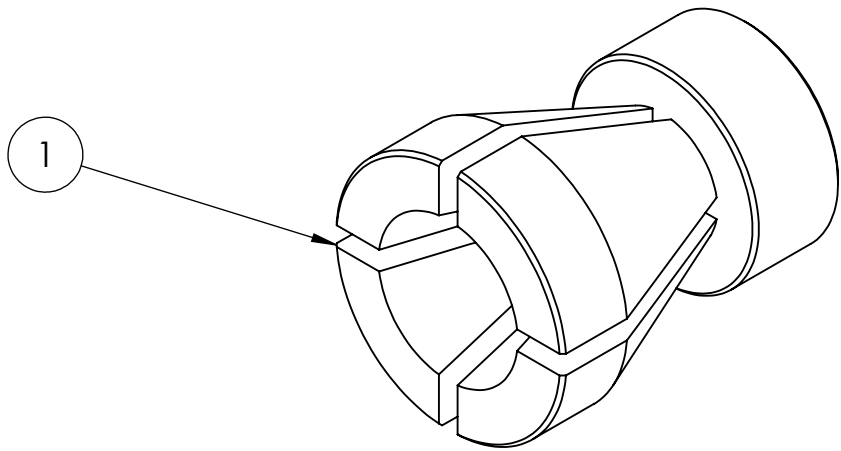
C


B

B

A

A



| | |
|---|-----------|
| DO NOT SCALE DRAWING | REVISION: |
|  | |
| TITLE: <h1>Whats in the box.</h1> | |
| DWG NO: <h2>798-022-14</h2> | A4 |
| SCALE: 2:1 | |

PROPRIETARY AND CONFIDENTIAL

THE INFORMATION CONTAINED IN THIS DRAWING IS THE SOLE PROPERTY OF OBERON PERFORMANCE LTD. ANY REPRODUCTION IN PART OR AS A WHOLE WITHOUT THE WRITTEN PERMISSION OF OBERON PERFORMANCE LTD IS PROHIBITED.

8 7 6 5 4 3 2 1