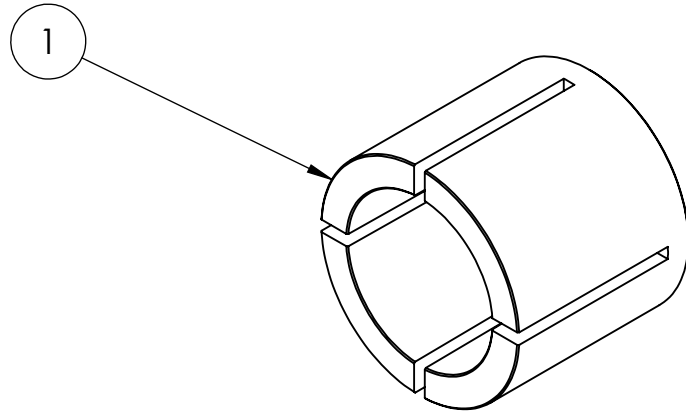



| ITEM NO. | PART NUMBER | DESCRIPTION | QTY. |
|----------|-------------|-----------------------|------|
| 1 | 798-019-07 | 19mm Collet Extension | 1 |



| | | |
|---|--|-----------|
| DO NOT SCALE DRAWING | | REVISION: |
|  | | |
| TITLE: | | |
| Whats in the box. | | |
| DWG NO: | | A4 |
| 798-019-07 | | |
| SCALE: 2:1 | | |

PROPRIETARY AND CONFIDENTIAL

THE INFORMATION CONTAINED IN THIS DRAWING IS THE SOLE PROPERTY OF OBERON PERFORMANCE LTD. ANY REPRODUCTION IN PART OR AS A WHOLE WITHOUT THE WRITTEN PERMISSION OF OBERON PERFORMANCE LTD IS PROHIBITED.