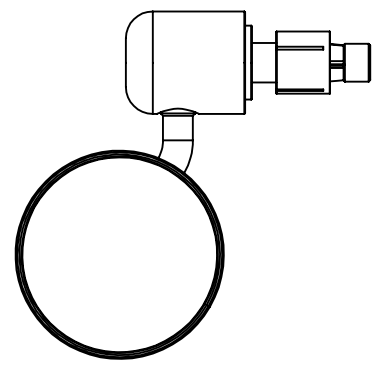


8 7 6 5 4 3 2 1

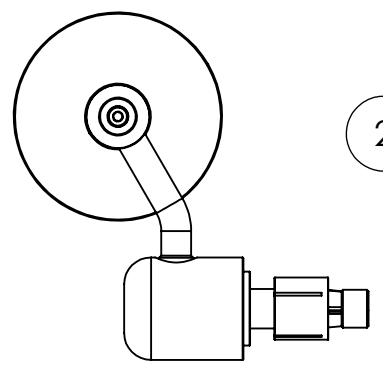
F

F

1 Side Down



2 Side Up



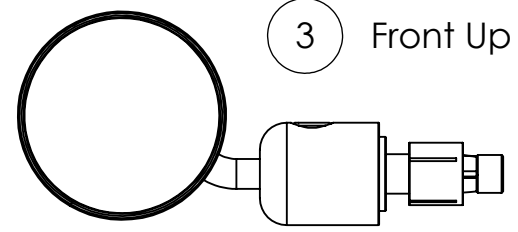
E

E

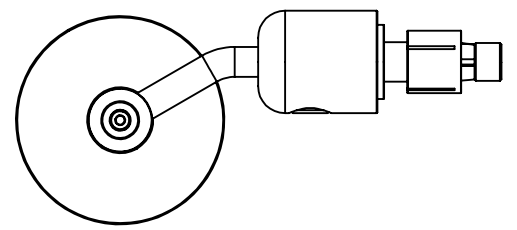
D

D

3 Front Up



4 Front Down



C

C

B

B

DO NOT SCALE DRAWING

REVISION:



# Available Bezel Layout Positions

**PROPRIETARY AND CONFIDENTIAL**

THE INFORMATION CONTAINED IN THIS DRAWING IS THE SOLE PROPERTY OF OBERON PERFORMANCE LTD. ANY REPRODUCTION IN PART OR AS A WHOLE WITHOUT THE WRITTEN PERMISSION OF OBERON PERFORMANCE LTD IS PROHIBITED.

DWG NO:

A4

SCALE:

8 7 6 5 4 3 2 1

A

A