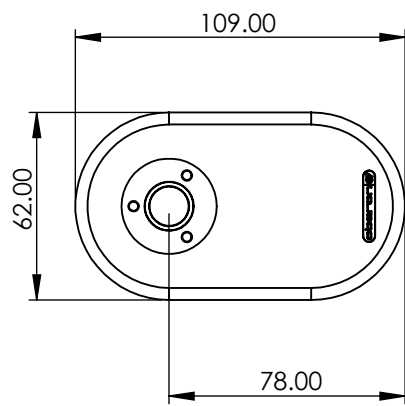


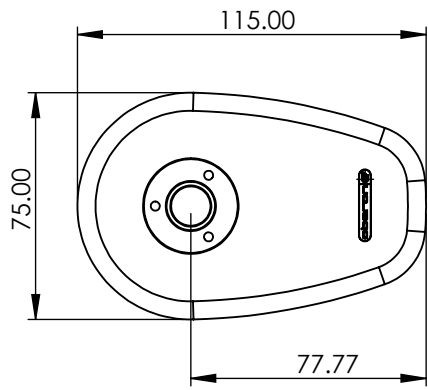
8 7 6 5 4 3 2 1

F  
E  
D  
C  
B  
A

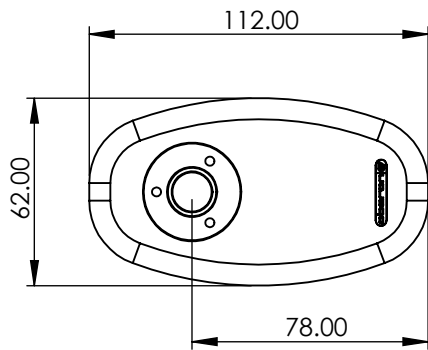
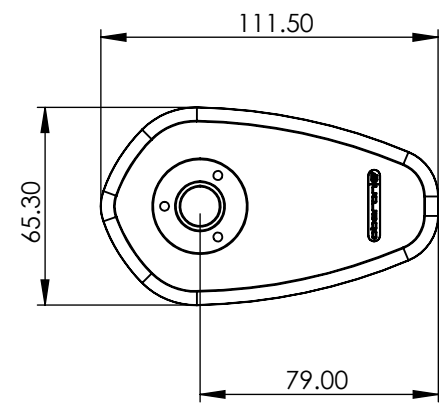
Oblong Bezel



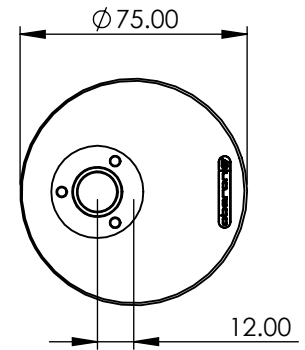
Touring Bezel



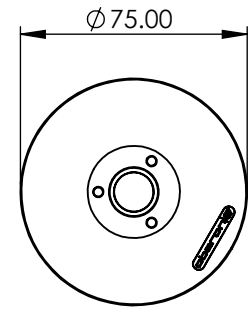
Racing Bezel



Sport Bezel



Ø75mm Offset Bezel



Ø75mm Bezel

DO NOT SCALE DRAWING

REVISION:



TITLE:  
**Mirror Bezel Dimensions**

**PROPRIETARY AND CONFIDENTIAL**

THE INFORMATION CONTAINED IN THIS DRAWING IS THE SOLE PROPERTY OF OBERON PERFORMANCE LTD. ANY REPRODUCTION IN PART OR AS A WHOLE WITHOUT THE WRITTEN PERMISSION OF OBERON PERFORMANCE LTD IS PROHIBITED.

DWG NO:  
**Adjustable/Clamp Mirror Bezels**

**A4**

SCALE:

8 7 6 5 4 3 2 1