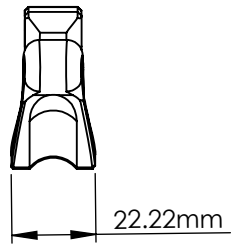
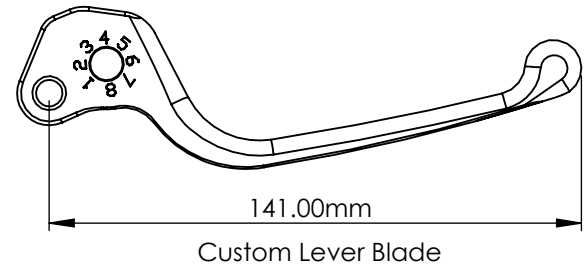
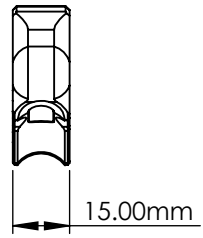
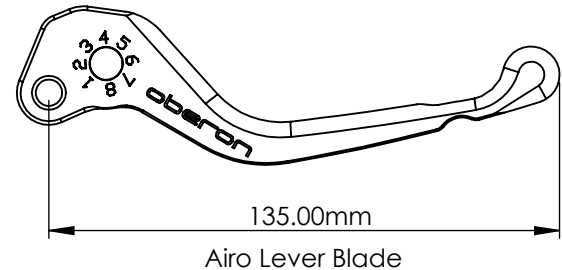
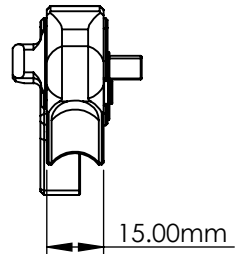
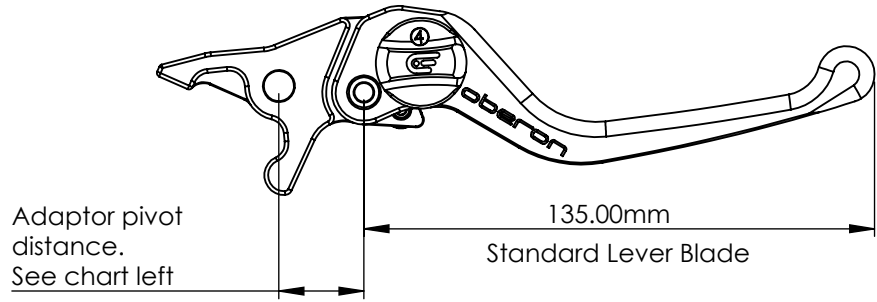


SKU	ADAPTOR PIVOT DISTANCE
LEV-B010	41.00mm
LEV-B040	32.00mm
LEV-B050	28.50mm
LEV-B070	43.00mm
LEV-B100	45.00mm
LEV-B110	22.50mm
LEV-B130	22.50mm
LEV-B140	44.00mm
LEV-B260	35.00mm
LEV-B300	67.00mm
LEV-B350	36.00mm
LEV-C020	41.00mm
LEV-C060	28.50mm
LEV-C080	38.00mm
LEV-C120	42.50mm
LEV-C150	35.00mm
LEV-C160	25.00mm
LEV-C161	42.00mm
LEV-C200	36.00mm
LEV-C250(T)	35.00mm
LEV-C270	34.00mm
LEV-C301	67.00mm
LEV-C400	35.00mm
LEV-C420	35.00mm



**PROPRIETARY AND CONFIDENTIAL**

THE INFORMATION CONTAINED IN THIS DRAWING IS THE SOLE PROPERTY OF OBERON PERFORMANCE LTD. ANY REPRODUCTION IN PART OR AS A WHOLE WITHOUT THE WRITTEN PERMISSION OF OBERON PERFORMANCE LTD IS PROHIBITED.

DO NOT SCALE DRAWING		REVISION:
TITLE: <b>Lever Blade Dimensions</b>		A4
SCALE:		