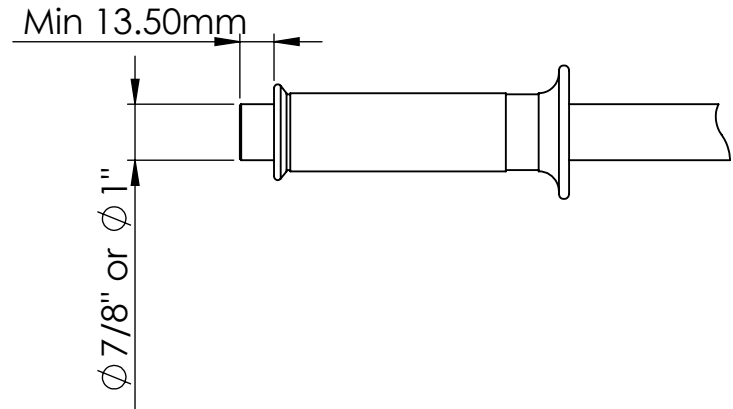
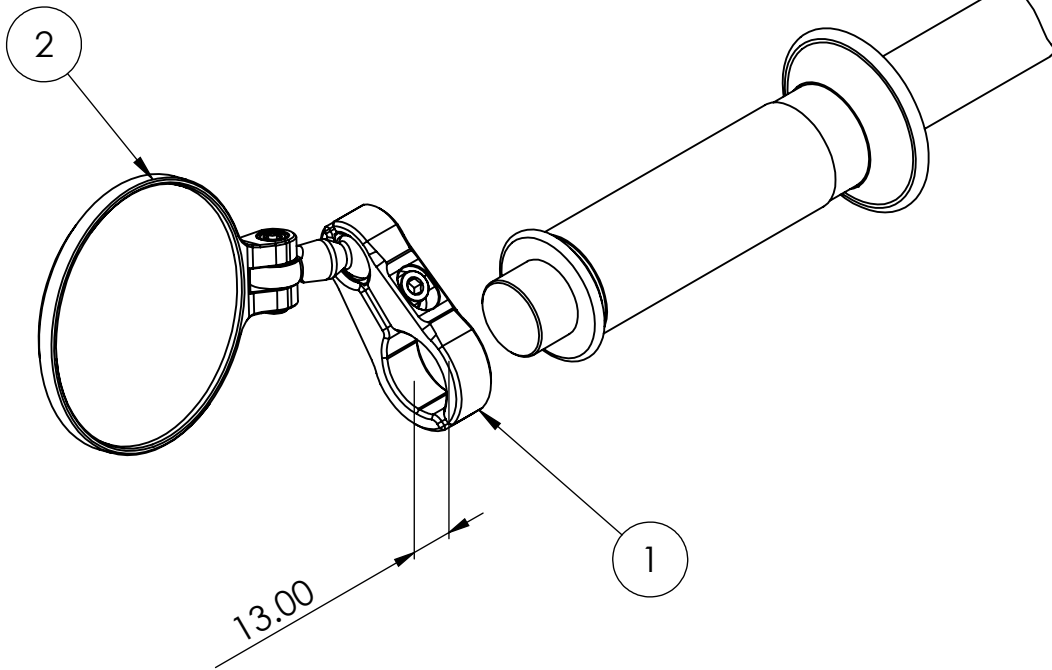



ITEM NO.	DESCRIPTION	ADAPTOR CODE	QTY
1	Adaptor	FMA-7801	1
4	Folding Mirror		1

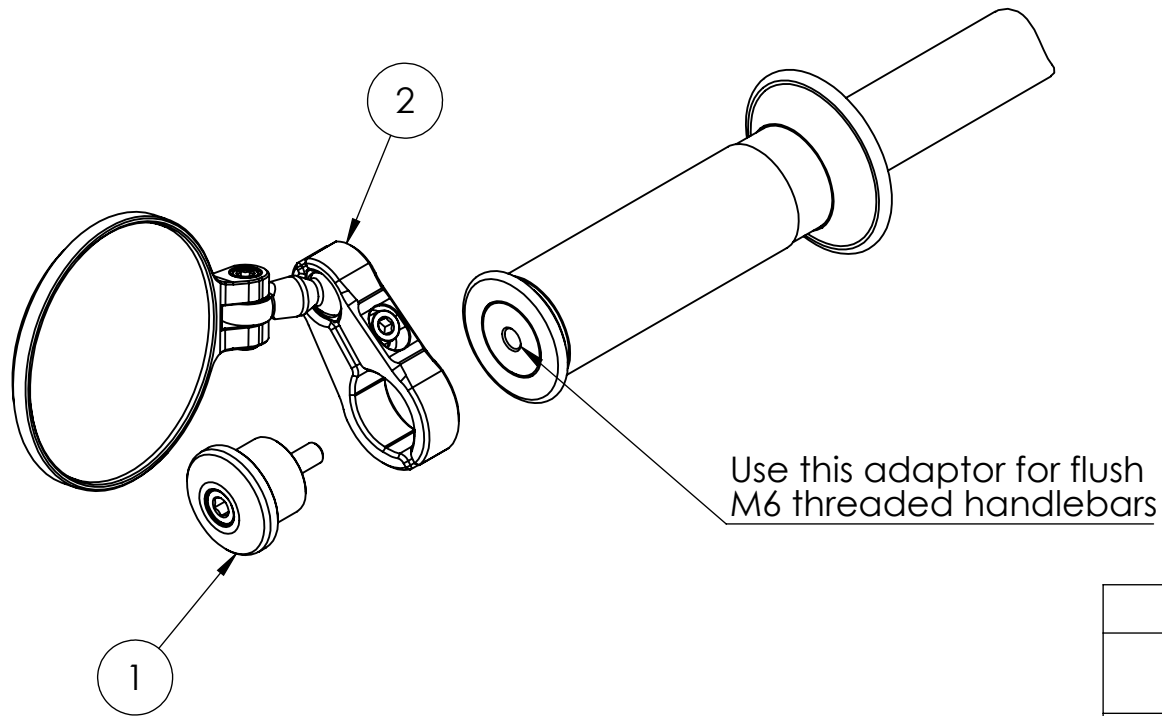



PROPRIETARY AND CONFIDENTIAL

THE INFORMATION CONTAINED IN THIS DRAWING IS THE SOLE PROPERTY OF OBERON PERFORMANCE LTD. ANY REPRODUCTION IN PART OR AS A WHOLE WITHOUT THE WRITTEN PERMISSION OF OBERON PERFORMANCE LTD IS PROHIBITED.

DO NOT SCALE DRAWING		REVISION:
		
TITLE:		
Folding Mirror Adaptor		
DWG NO:	FMA-7801	A4
SCALE:		

ITEM NO.	DESCRIPTION	ADAPTOR CODE	QTY
1	Adaptor	FMA-M6	1
2	Folding Mirror		1

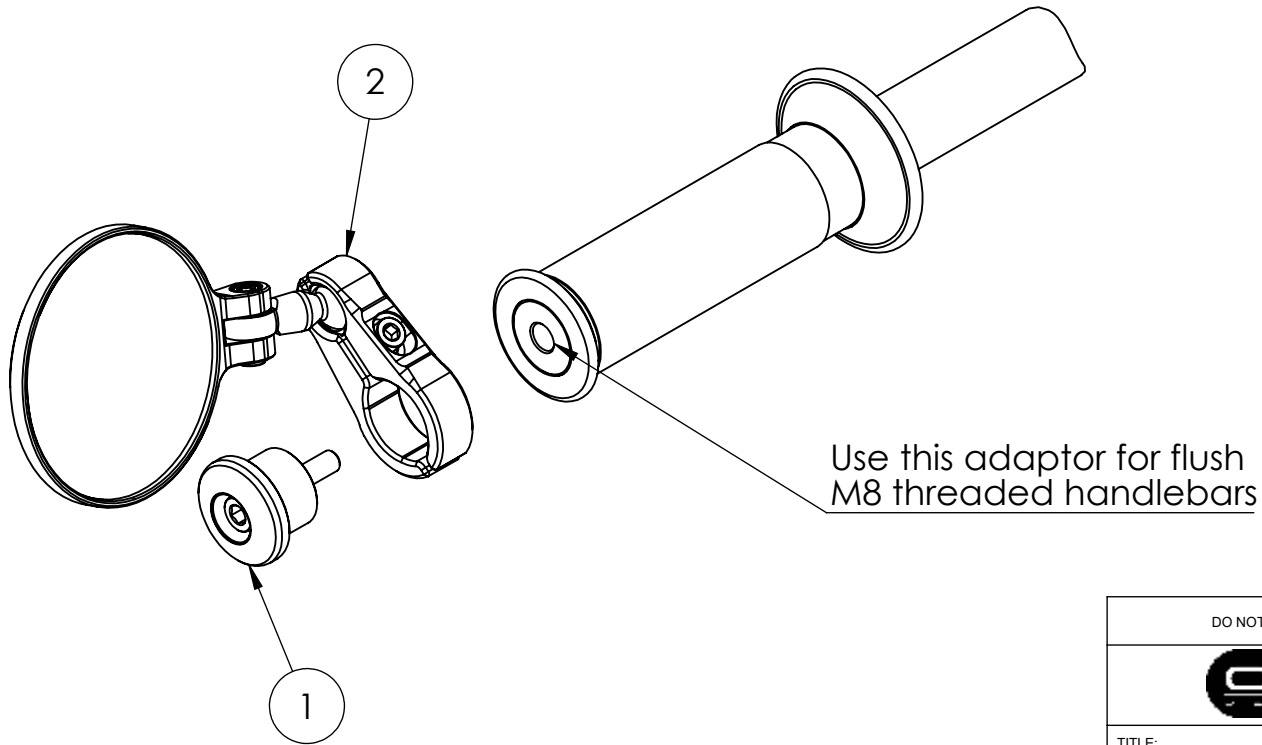



DO NOT SCALE DRAWING		REVISION:
		
TITLE: Folding Mirror Adaptor		
DWG NO:		FMA-M6
SCALE:		A4

PROPRIETARY AND CONFIDENTIAL

THE INFORMATION CONTAINED IN THIS DRAWING IS THE SOLE PROPERTY OF OBERON PERFORMANCE LTD. ANY REPRODUCTION IN PART OR AS A WHOLE WITHOUT THE WRITTEN PERMISSION OF OBERON PERFORMANCE LTD IS PROHIBITED.

ITEM NO.	DESCRIPTION	ADAPTOR CODE	QTY
1	Adaptor	FMA-M8	1
2	Folding Mirror		1

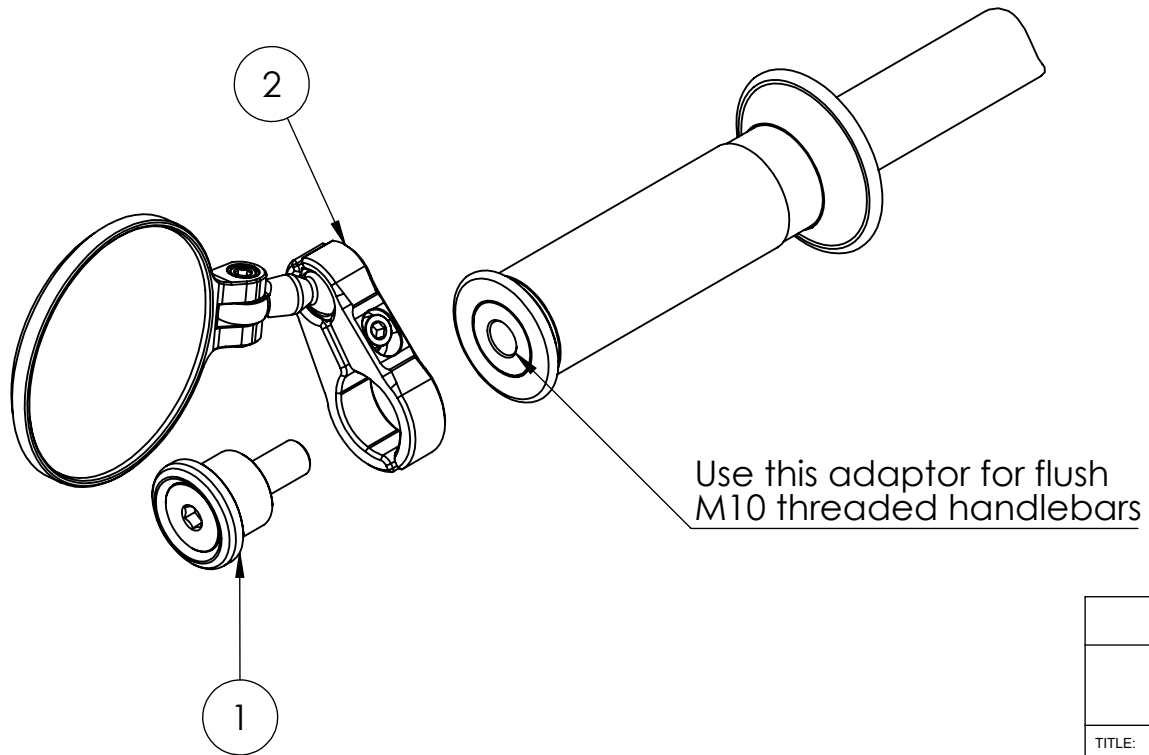



DO NOT SCALE DRAWING		REVISION:
		
TITLE: Folding Mirror Adaptor		
DWG NO:	FMA-M8	A4
SCALE:		

PROPRIETARY AND CONFIDENTIAL

THE INFORMATION CONTAINED IN THIS DRAWING IS THE SOLE PROPERTY OF OBERON PERFORMANCE LTD. ANY REPRODUCTION IN PART OR AS A WHOLE WITHOUT THE WRITTEN PERMISSION OF OBERON PERFORMANCE LTD IS PROHIBITED.

ITEM NO.	DESCRIPTION	ADAPTOR CODE	QTY
1	Adaptor	FMA-M10	1
2	Folding Mirror		1

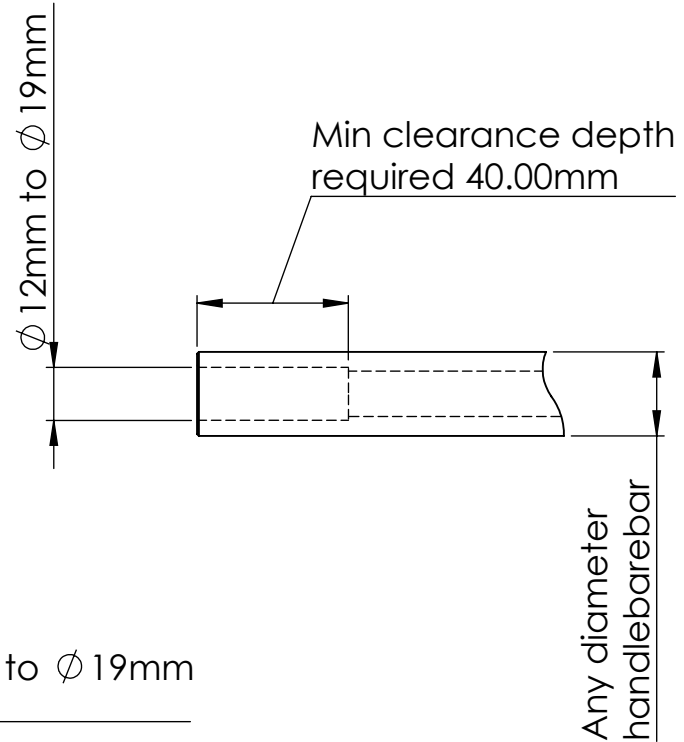
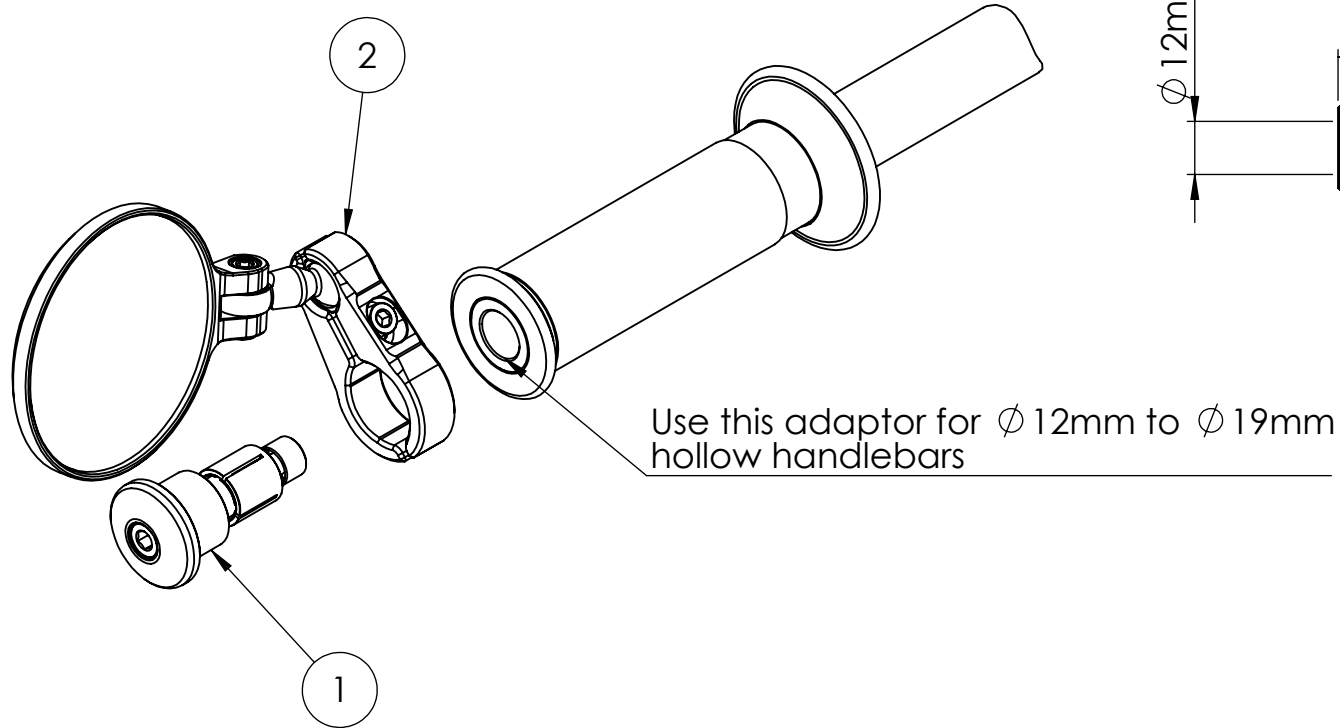



DO NOT SCALE DRAWING		REVISION:
		
TITLE: Folding Mirror Adaptor		
DWG NO:		A4
FMA-M10		
SCALE:		

PROPRIETARY AND CONFIDENTIAL

THE INFORMATION CONTAINED IN THIS DRAWING IS THE SOLE PROPERTY OF OBERON PERFORMANCE LTD. ANY REPRODUCTION IN PART OR AS A WHOLE WITHOUT THE WRITTEN PERMISSION OF OBERON PERFORMANCE LTD IS PROHIBITED.

ITEM NO.	DESCRIPTION	ADAPTOR CODE	QTY
1	Adaptor	FMA-1419	1
2	Folding Mirror		1

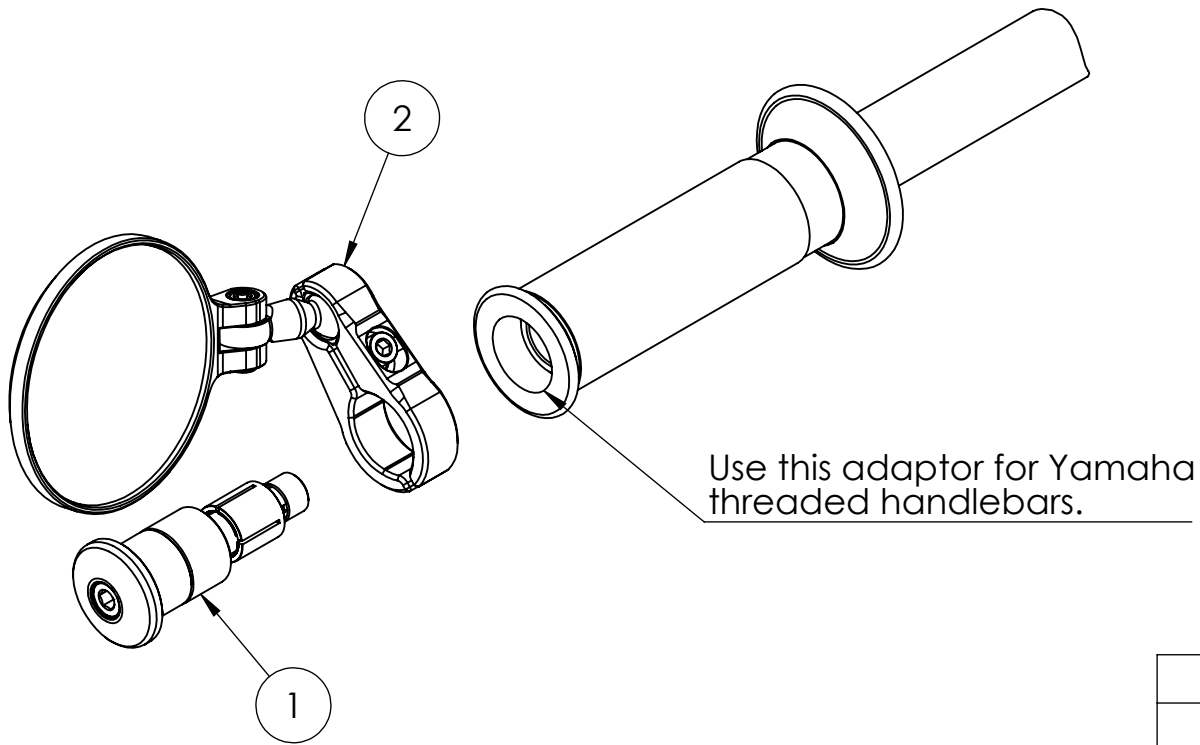



DO NOT SCALE DRAWING		REVISION:
		
TITLE:		
Folding Mirror Adaptor		
DWG NO:	FMA-1419	A4
SCALE:		

PROPRIETARY AND CONFIDENTIAL

THE INFORMATION CONTAINED IN THIS DRAWING IS THE SOLE PROPERTY OF OBERON PERFORMANCE LTD. ANY REPRODUCTION IN PART OR AS A WHOLE WITHOUT THE WRITTEN PERMISSION OF OBERON PERFORMANCE LTD IS PROHIBITED.

ITEM NO.	DESCRIPTION	ADAPTOR CODE	QTY
1	Adaptor	FMA-M168	1
2	Folding Mirror		1

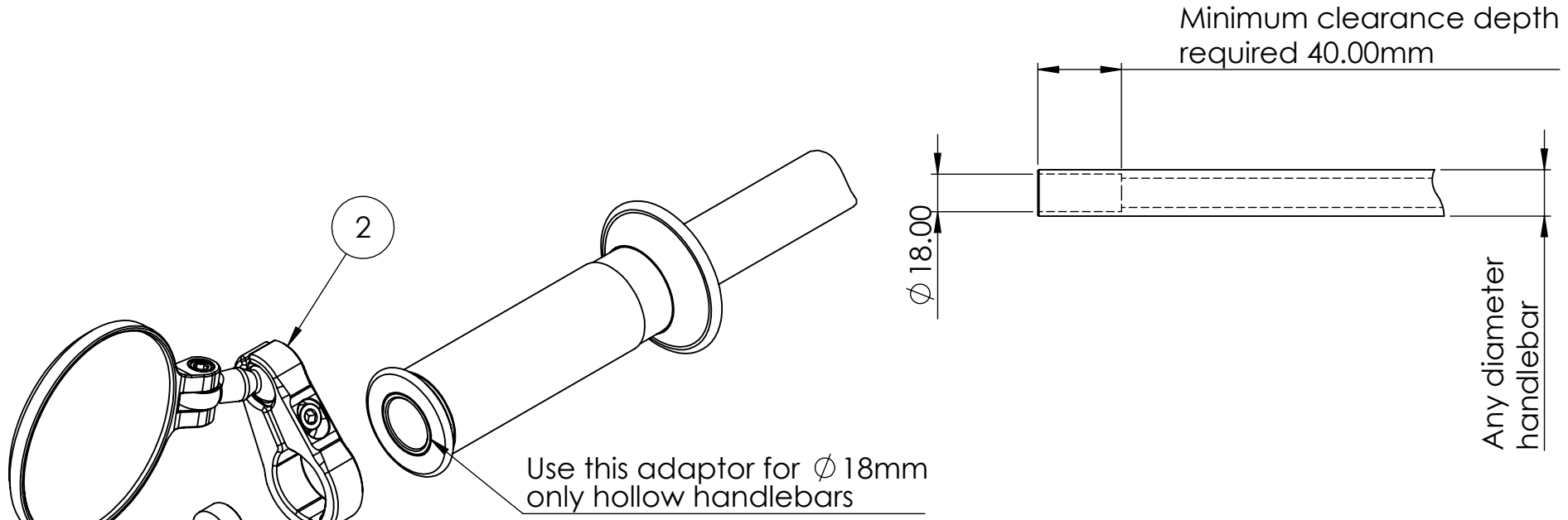



DO NOT SCALE DRAWING		REVISION:
		
TITLE:		
Folding Mirror Adaptor		
DWG NO:	FMA-M168	A4
SCALE:		

PROPRIETARY AND CONFIDENTIAL

THE INFORMATION CONTAINED IN THIS DRAWING IS THE SOLE PROPERTY OF OBERON PERFORMANCE LTD. ANY REPRODUCTION IN PART OR AS A WHOLE WITHOUT THE WRITTEN PERMISSION OF OBERON PERFORMANCE LTD IS PROHIBITED.

ITEM NO.	DESCRIPTION	ADAPTOR CODE	QTY
1	Adaptor	FMA-18	1
2	Folding Mirror		1

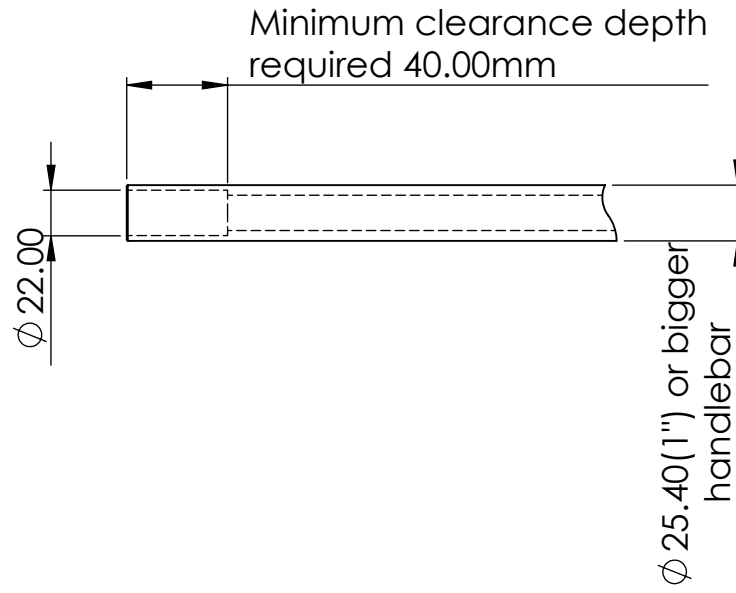
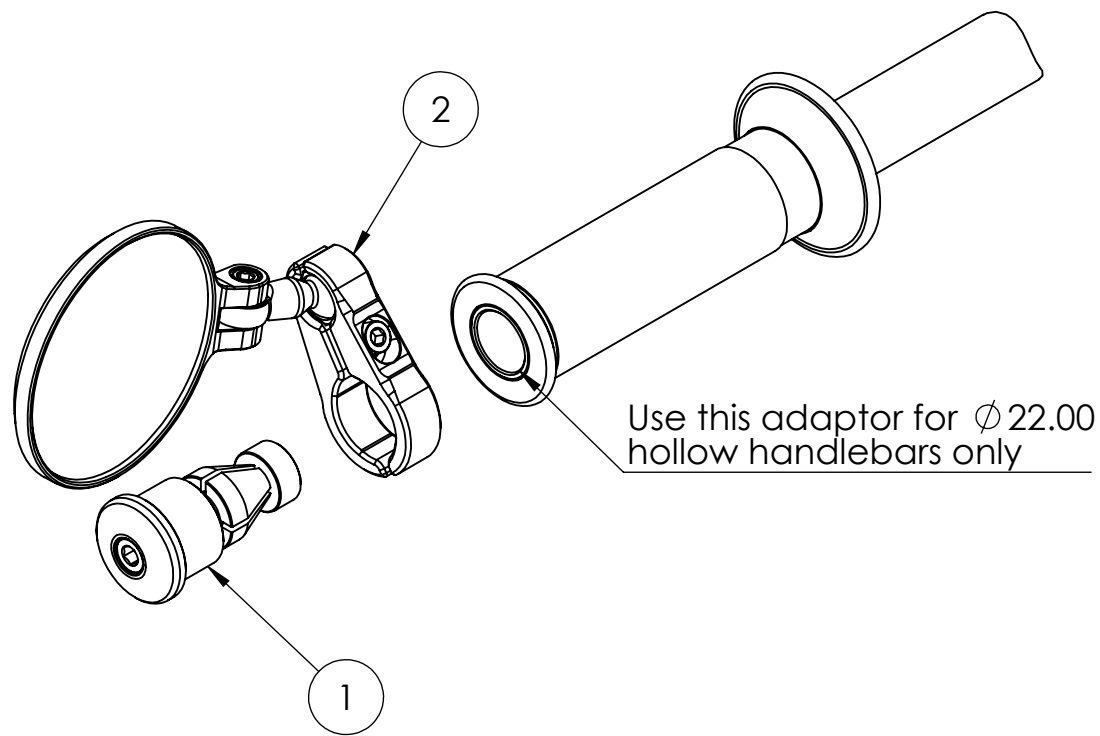


DO NOT SCALE DRAWING		REVISION:
		
TITLE: Folding Mirror Adaptor		
DWG NO:		A4
FMA-18		
SCALE:		

PROPRIETARY AND CONFIDENTIAL


THE INFORMATION CONTAINED IN THIS DRAWING IS THE SOLE PROPERTY OF OBERON PERFORMANCE LTD. ANY REPRODUCTION IN PART OR AS A WHOLE WITHOUT THE WRITTEN PERMISSION OF OBERON PERFORMANCE LTD IS PROHIBITED.

ITEM NO.	DESCRIPTION	ADAPTOR CODE	QTY
1	Adaptor	FMA-22	1
2	Folding Mirror		1

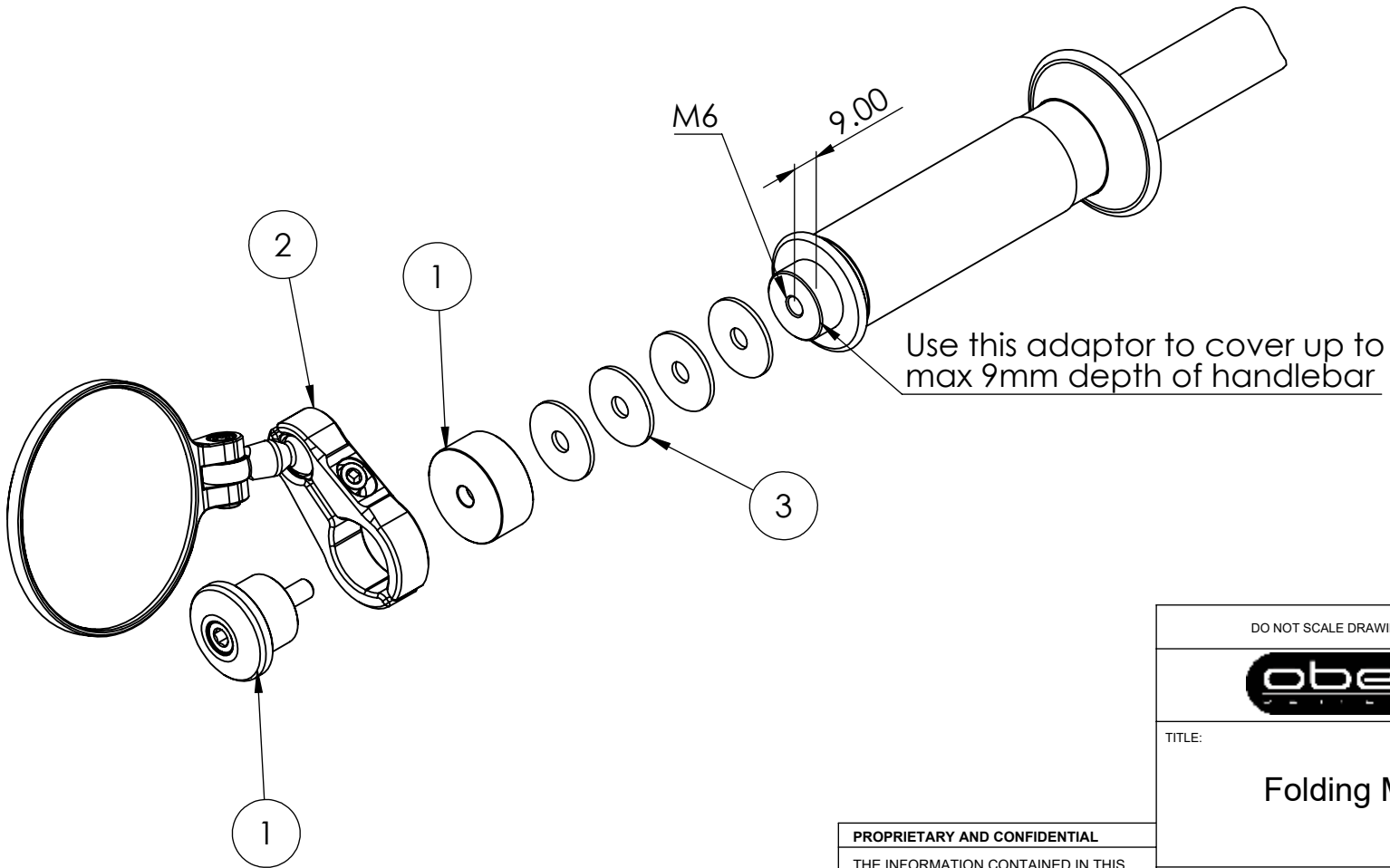


PROPRIETARY AND CONFIDENTIAL

THE INFORMATION CONTAINED IN THIS DRAWING IS THE SOLE PROPERTY OF OBERON PERFORMANCE LTD. ANY REPRODUCTION IN PART OR AS A WHOLE WITHOUT THE WRITTEN PERMISSION OF OBERON PERFORMANCE LTD IS PROHIBITED.


DO NOT SCALE DRAWING		REVISION:
		
TITLE: Folding Mirror Adaptor		
DWG NO:	FMA-22	A4
SCALE:		

ITEM NO.	DESCRIPTION	ADAPTOR CODE	QTY
1	Adaptor	FMA-M6CB	1
2	Folding Mirror		1
3	Spacer (If required)		4

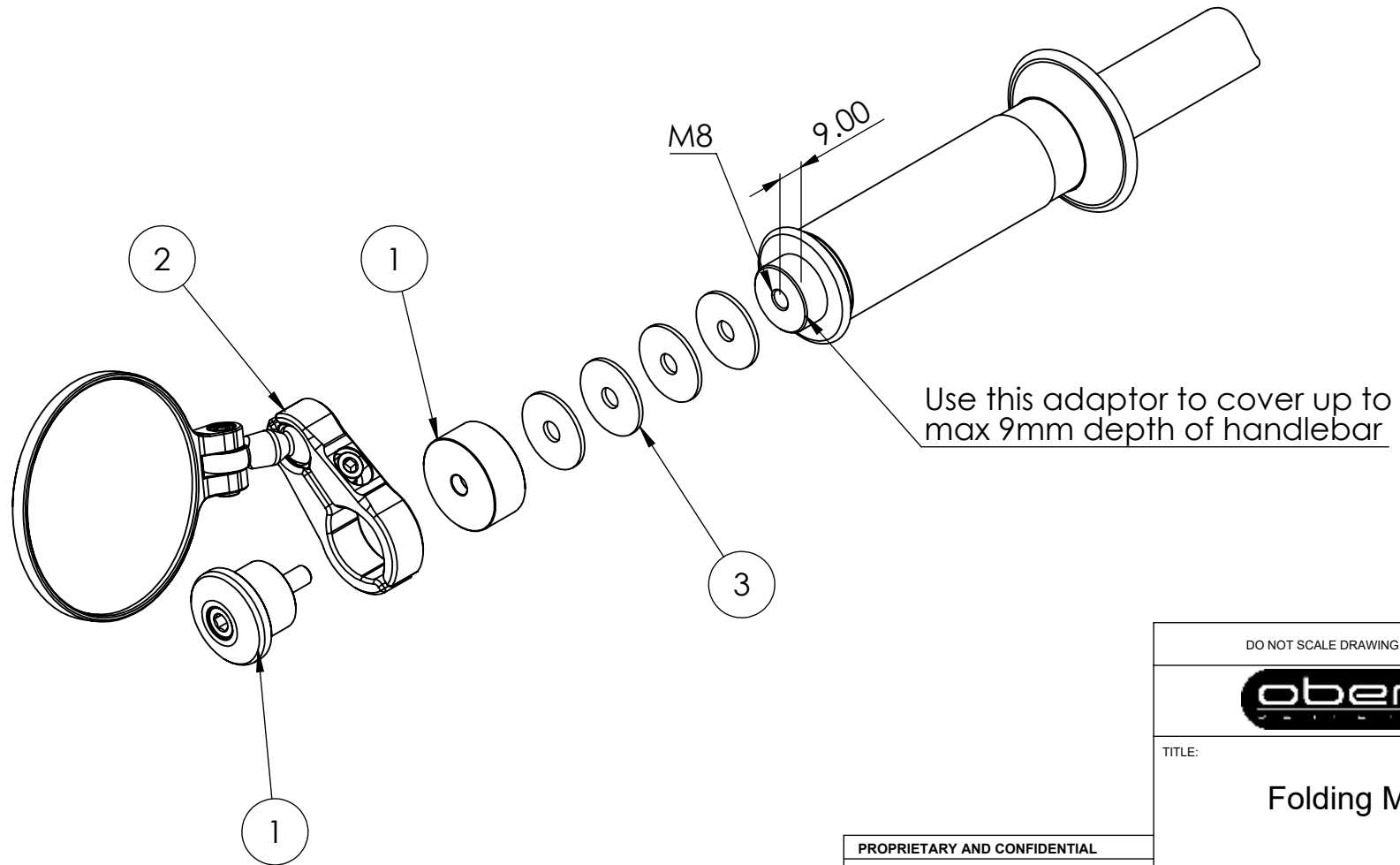



PROPRIETARY AND CONFIDENTIAL

THE INFORMATION CONTAINED IN THIS DRAWING IS THE SOLE PROPERTY OF OBERON PERFORMANCE LTD. ANY REPRODUCTION IN PART OR AS A WHOLE WITHOUT THE WRITTEN PERMISSION OF OBERON PERFORMANCE LTD IS PROHIBITED.

DO NOT SCALE DRAWING		REVISION:
		
TITLE:		
Folding Mirror Adaptor		
DWG NO:	FMA-M6CB	A4
SCALE:		

ITEM NO.	DESCRIPTION	ADAPTOR CODE	QTY
1	Mirror Adaptor	FMA-M8CB	1
2	Folding Mirror		1
3	Spacer (If required)		4

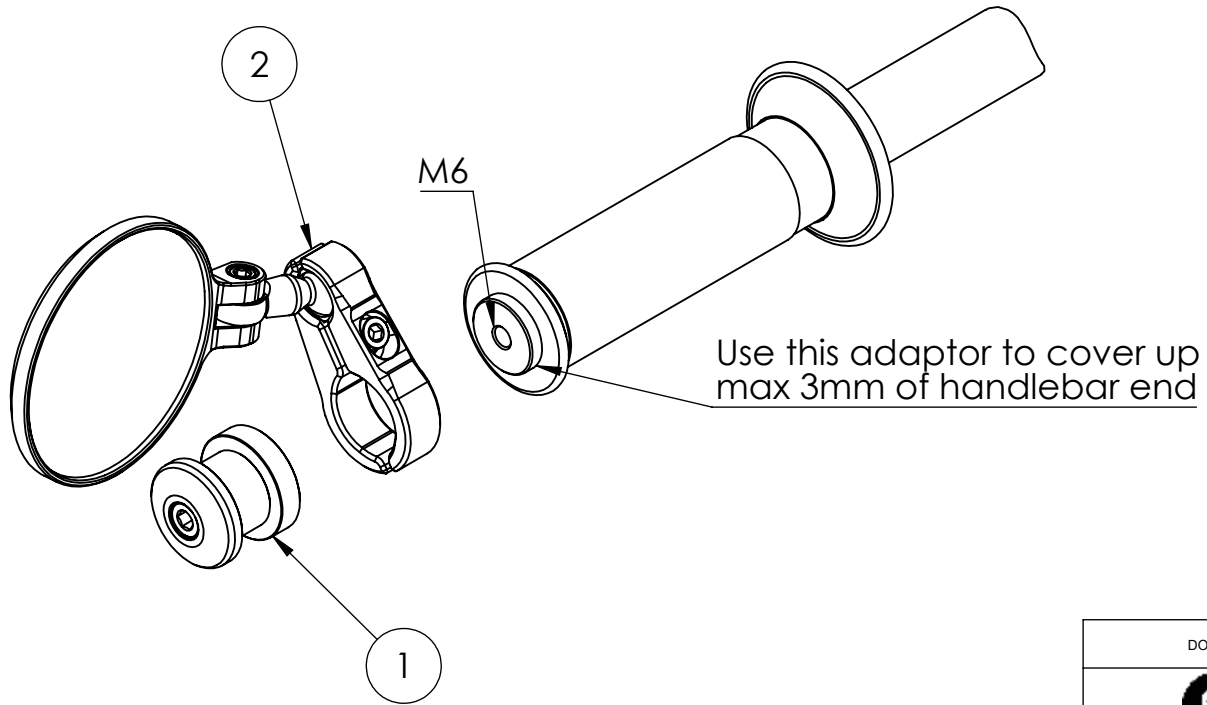



DO NOT SCALE DRAWING		REVISION:
		
TITLE:		
Folding Mirror Adaptor		
DWG NO:	FMA-M8CB	A4
SCALE:		

PROPRIETARY AND CONFIDENTIAL

THE INFORMATION CONTAINED IN THIS DRAWING IS THE SOLE PROPERTY OF OBERON PERFORMANCE LTD. ANY REPRODUCTION IN PART OR AS A WHOLE WITHOUT THE WRITTEN PERMISSION OF OBERON PERFORMANCE LTD IS PROHIBITED.

ITEM NO.	DESCRIPTION	ADAPTOR CODE	QTY
1	Adaptor	FMA-TRI-675	1
2	Folding Mirror		1

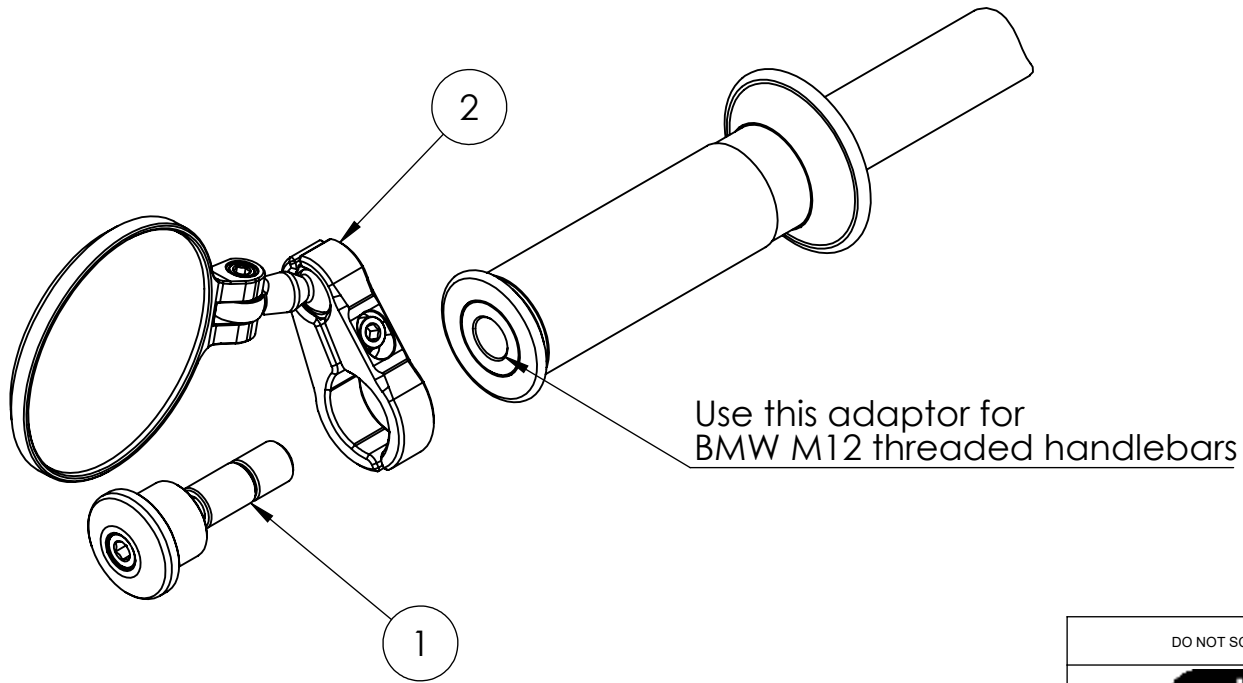



DO NOT SCALE DRAWING		REVISION:
		
TITLE: Folding Mirror Adaptor		
DWG NO:	FMA-TRI-675	A4
SCALE:		

PROPRIETARY AND CONFIDENTIAL

THE INFORMATION CONTAINED IN THIS DRAWING IS THE SOLE PROPERTY OF OBERON PERFORMANCE LTD. ANY REPRODUCTION IN PART OR AS A WHOLE WITHOUT THE WRITTEN PERMISSION OF OBERON PERFORMANCE LTD IS PROHIBITED.

ITEM NO.	DESCRIPTION	ADAPTOR CODE	QTY
1	Adaptor	FMA-R9S1R	1
2	Folding Mirror		1



DO NOT SCALE DRAWING		REVISION:
		
TITLE:		
Folding Mirror Adaptor		
DWG NO:	FMA-R9S1R	A4
SCALE:		

PROPRIETARY AND CONFIDENTIAL

THE INFORMATION CONTAINED IN THIS DRAWING IS THE SOLE PROPERTY OF OBERON PERFORMANCE LTD. ANY REPRODUCTION IN PART OR AS A WHOLE WITHOUT THE WRITTEN PERMISSION OF OBERON PERFORMANCE LTD IS PROHIBITED.