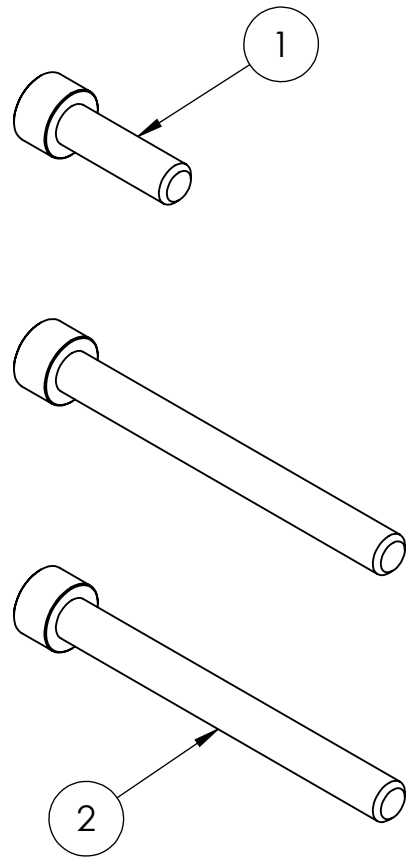



8 7 6 5 4 3 2 1

ITEM NO.	DESCRIPTION	QTY
1	M6 x 20mm	1
2	M6 x 60mm	2



**Fits the following model(s):**

- Honda VTR1000F Firestorm 1997-2006
- Honda VTR1000SP1 2000-2001
- Honda VTR1000SP2 2002-2006

DO NOT SCALE DRAWING		REVISION:
		
TITLE:		
<b>CLU-8000</b>		
DWG NO:		A4
SCALE:		

**PROPRIETARY AND CONFIDENTIAL**

THE INFORMATION CONTAINED IN THIS DRAWING IS THE SOLE PROPERTY OF OBERON PERFORMANCE LTD. ANY REPRODUCTION IN PART OR AS A WHOLE WITHOUT THE WRITTEN PERMISSION OF OBERON PERFORMANCE LTD IS PROHIBITED.

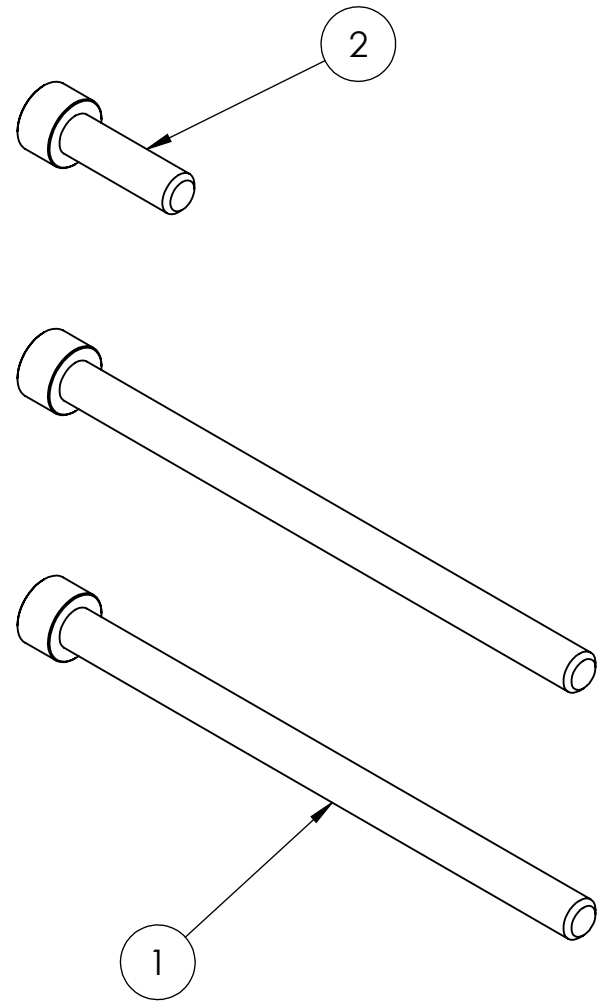
8 7 6 5 4 3 2 1

F  
E  
D  
C  
B  
A

F  
E  
D  
C  
B  
A


8 7 6 5 4 3 2 1

ITEM NO.	DESCRIPTION	QTY
1	M6 x 95mm	2
2	M6 x 20mm	1



**Fits the following model(s):**

- Honda RVF750R (RC45) 1994-1999
- Honda VFR800F 1998-2020
- Honda VFR800X Crossrunner 2017-2020

DO NOT SCALE DRAWING		REVISION:
		
TITLE:		
<b>CLU-8025</b>		
DWG NO:		A4
SCALE:		

**PROPRIETARY AND CONFIDENTIAL**

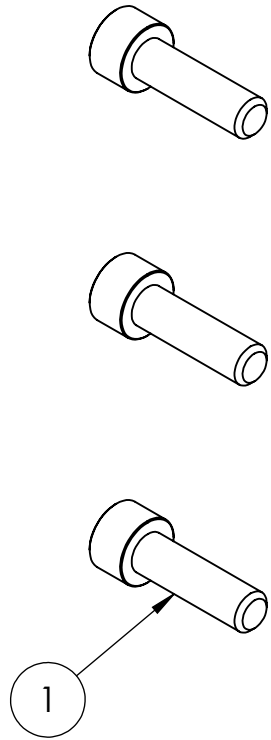
THE INFORMATION CONTAINED IN THIS DRAWING IS THE SOLE PROPERTY OF OBERON PERFORMANCE LTD. ANY REPRODUCTION IN PART OR AS A WHOLE WITHOUT THE WRITTEN PERMISSION OF OBERON PERFORMANCE LTD IS PROHIBITED.

8 7 6 5 4 3 2 1

F  
E  
D  
C  
B  
A


F  
E  
D  
C  
B  
A

ITEM NO.	DESCRIPTION	QTY
1	M6 x 20mm	3



**Fits the following model(s):**

Honda ST1100 Pan-European 1990-2002

DO NOT SCALE DRAWING		REVISION:
		
TITLE:		
<b>CLU-8050</b>		
DWG NO:		A4
SCALE:		

**PROPRIETARY AND CONFIDENTIAL**

THE INFORMATION CONTAINED IN THIS DRAWING IS THE SOLE PROPERTY OF OBERON PERFORMANCE LTD. ANY REPRODUCTION IN PART OR AS A WHOLE WITHOUT THE WRITTEN PERMISSION OF OBERON PERFORMANCE LTD IS PROHIBITED.

8 7 6 5 4 3 2 1

ITEM NO.	DESCRIPTION	QTY
1	M6 x 95mm	1
2	M6 x 85mm	1
3	M6 x 20mm	1

F

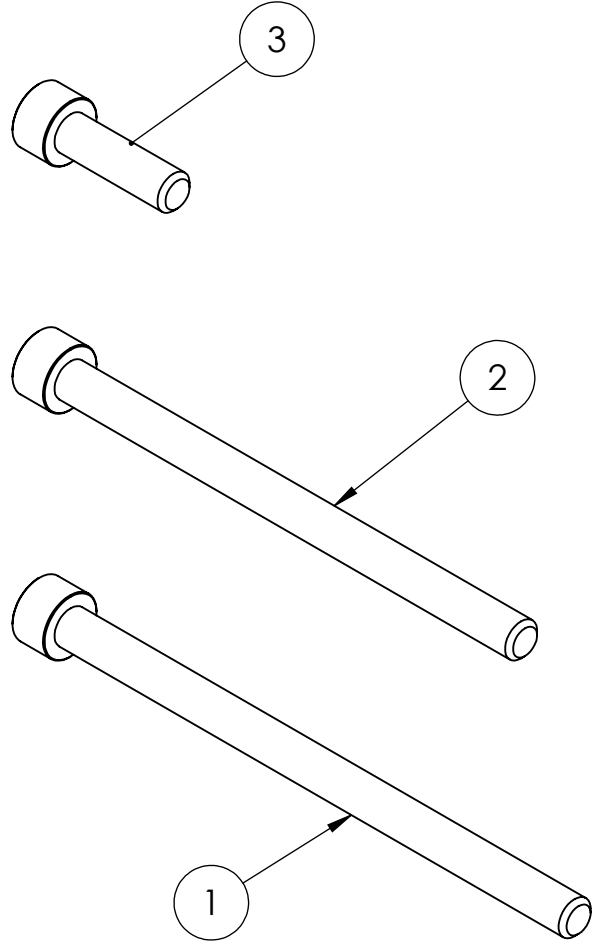
E

D

C

B

A



**Fits the following model(s):**

Honda VF700F 1986-1990  
 Honda VF750F 1986-1990

DO NOT SCALE DRAWING REVISION:



TITLE:  
**CLU-8075**

**PROPRIETARY AND CONFIDENTIAL**

THE INFORMATION CONTAINED IN THIS DRAWING IS THE SOLE PROPERTY OF OBERON PERFORMANCE LTD. ANY REPRODUCTION IN PART OR AS A WHOLE WITHOUT THE WRITTEN PERMISSION OF OBERON PERFORMANCE LTD IS PROHIBITED.

DWG NO: A4

SCALE:

8 7 6 5 4 3 2 1

8 7 6 5 4 3 2 1

ITEM NO.	DESCRIPTION	QTY
1	M6 x 75mm	1
2	M6 x 25mm	2

F

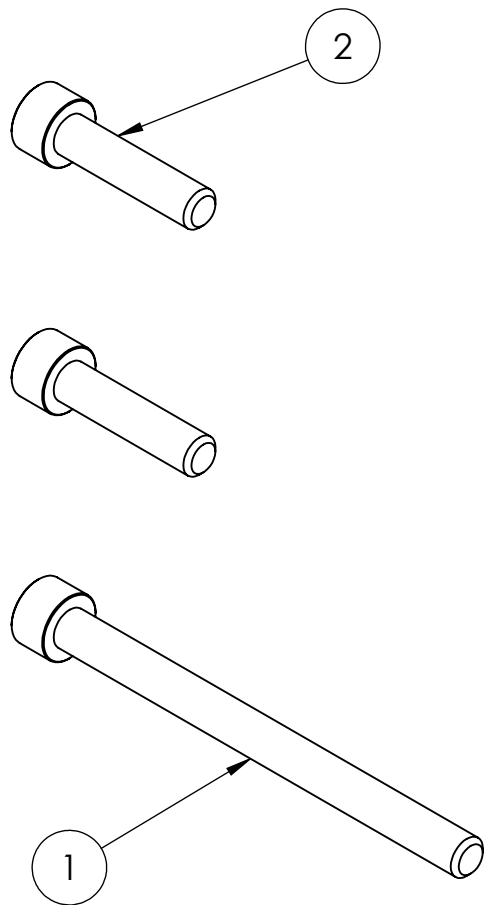
E

D

C


B

A



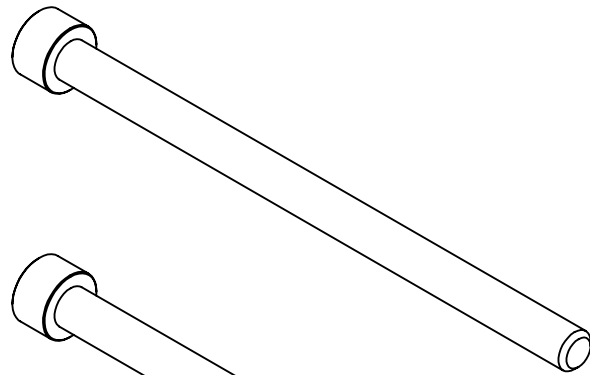
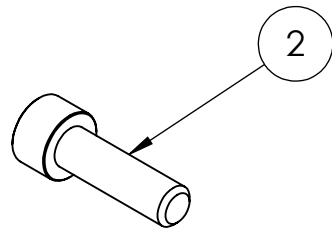
**Fits the following model(s):**  
Honda CB1000F 1993-1996

**PROPRIETARY AND CONFIDENTIAL**  
THE INFORMATION CONTAINED IN THIS DRAWING IS THE SOLE PROPERTY OF OBERON PERFORMANCE LTD. ANY REPRODUCTION IN PART OR AS A WHOLE WITHOUT THE WRITTEN PERMISSION OF OBERON PERFORMANCE LTD IS PROHIBITED.

DO NOT SCALE DRAWING		REVISION:
		
TITLE:		
<b>CLU-8100</b>		
DWG NO:		A4
SCALE:		


8 7 6 5 4 3 2 1

ITEM NO.	DESCRIPTION	QTY
1	M6 x 95mm	2
2	M6 x 20mm	1



**Fits the following model(s):**

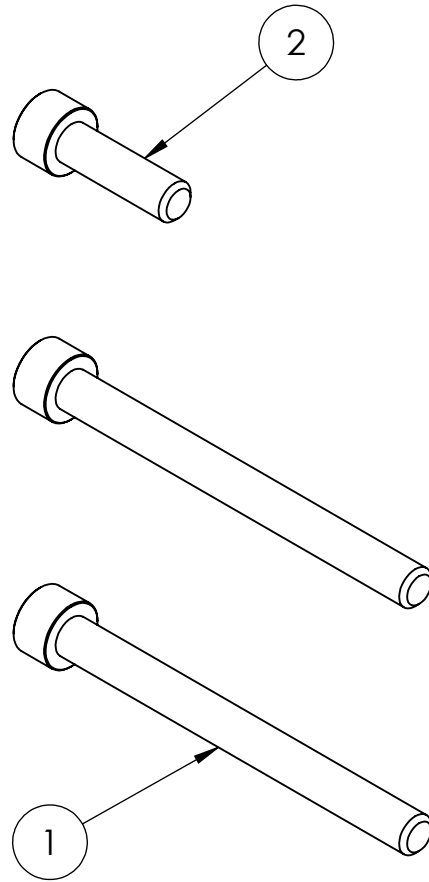
Honda VFR800F 2002-2016  
 Honda VFR800X Crossrunner 2011-2016

DO NOT SCALE DRAWING		REVISION:
		
TITLE:		
<b>CLU-8200</b>		
DWG NO:		A4
SCALE:		

**PROPRIETARY AND CONFIDENTIAL**


THE INFORMATION CONTAINED IN THIS DRAWING IS THE SOLE PROPERTY OF OBERON PERFORMANCE LTD. ANY REPRODUCTION IN PART OR AS A WHOLE WITHOUT THE WRITTEN PERMISSION OF OBERON PERFORMANCE LTD IS PROHIBITED.

ITEM NO.	DESCRIPTION	QTY
1	M6 x 65mm	2
2	M6 x 20mm	1



**Fits the following model(s):**

- Honda CB1000R 2008-2016
- Honda CBF1000 2006-2010
- Honda CBF1000F 2010-2012
- Honda CBF1000S 2007-2010
- Honda CBF1000T 2007-2010
- Honda CBR1000RR 2004-2007

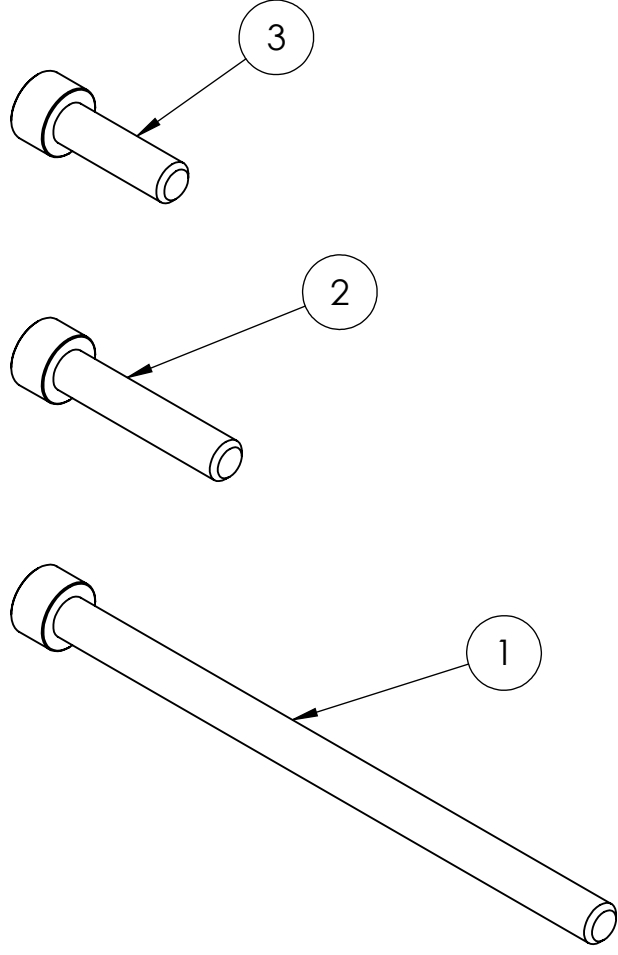
DO NOT SCALE DRAWING		REVISION:
		
TITLE:		
<b>CLU-8900</b>		
DWG NO:		A4
SCALE:		

**PROPRIETARY AND CONFIDENTIAL**

THE INFORMATION CONTAINED IN THIS DRAWING IS THE SOLE PROPERTY OF OBERON PERFORMANCE LTD. ANY REPRODUCTION IN PART OR AS A WHOLE WITHOUT THE WRITTEN PERMISSION OF OBERON PERFORMANCE LTD IS PROHIBITED.

8 7 6 5 4 3 2 1

ITEM NO.	DESCRIPTION	QTY
1	M6 x 100mm	1
2	M6 x 30mm	1
3	M6 x 20mm	1




**Fits the following model(s):**  
Honda VF500 1984-1986

F  
E  
D  
C  
B  
A

F  
E  
D  
C  
B  
A

8 7 6 5 4 3 2 1

DO NOT SCALE DRAWING		REVISION:
		
TITLE:		
<b>CLU-8925</b>		
DWG NO:		A4
SCALE:		

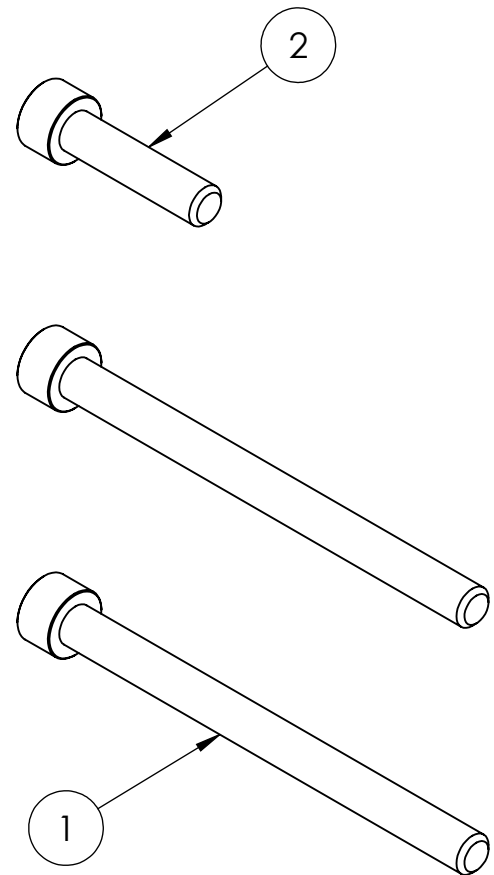
**PROPRIETARY AND CONFIDENTIAL**

THE INFORMATION CONTAINED IN THIS DRAWING IS THE SOLE PROPERTY OF OBERON PERFORMANCE LTD. ANY REPRODUCTION IN PART OR AS A WHOLE WITHOUT THE WRITTEN PERMISSION OF OBERON PERFORMANCE LTD IS PROHIBITED.



8 7 6 5 4 3 2 1

ITEM NO.	DESCRIPTION	QTY
1	M6 x 75mm	2
2	M6 x 25mm	1



**Fits the following model(s):**

- Honda CB1100 2013-2014
- Honda CB1100 EX 2017-2020
- Honda CB1100 RS 2017-2020
- Honda CB1300 2003-2014
- Honda CBR1000F 1987-1999

DO NOT SCALE DRAWING REVISION:



TITLE:  
**CLU-8950**

**PROPRIETARY AND CONFIDENTIAL**  
THE INFORMATION CONTAINED IN THIS DRAWING IS THE SOLE PROPERTY OF OBERON PERFORMANCE LTD. ANY REPRODUCTION IN PART OR AS A WHOLE WITHOUT THE WRITTEN PERMISSION OF OBERON PERFORMANCE LTD IS PROHIBITED.

DWG NO: A4

SCALE:

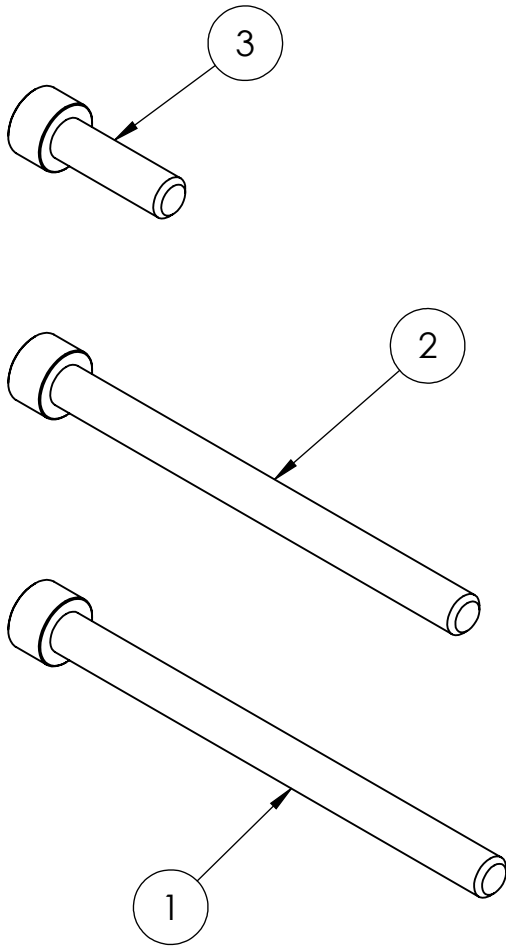
8 7 6 5 4 3 2 1

F  
E  
D  
C  
B  
A

F  
E  
D  
C  
B  
A

8 7 6 5 4 3 2 1

ITEM NO.	DESCRIPTION	QTY
1	M6 x 80mm	1
2	M6 x 75mm	1
3	M6 x 20mm	1



**Fits the following model(s):**


Honda CBR1100XX SUPER BLACKBIRD 1997-2006

F  
E  
D  
C  
B  
A

F  
E  
D  
C  
B  
A

8 7 6 5 4 3 2 1

**PROPRIETARY AND CONFIDENTIAL**  
 THE INFORMATION CONTAINED IN THIS DRAWING IS THE SOLE PROPERTY OF OBERON PERFORMANCE LTD. ANY REPRODUCTION IN PART OR AS A WHOLE WITHOUT THE WRITTEN PERMISSION OF OBERON PERFORMANCE LTD IS PROHIBITED.

DO NOT SCALE DRAWING		REVISION:
		
TITLE:		
<b>CLU-8975</b>		
DWG NO:		A4
SCALE:		