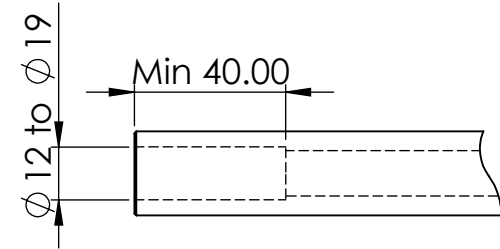
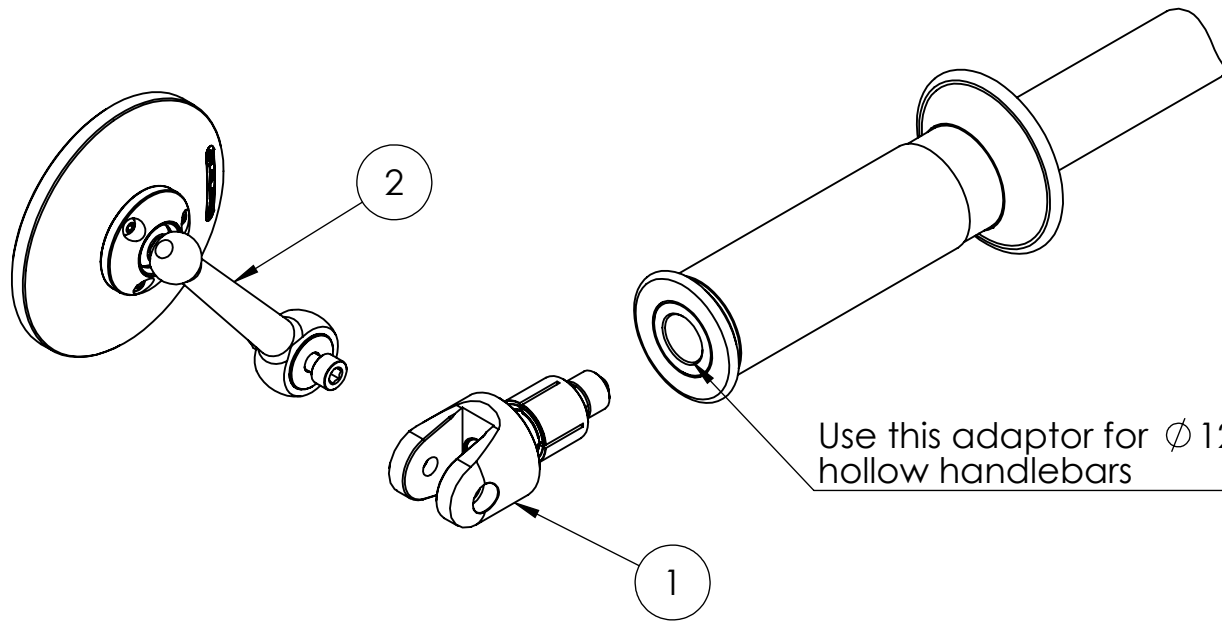



ITEM NO.	DESCRIPTION	QTY
1	AMA-M1419 Adaptor	1
2	Adjustable Mirror	1



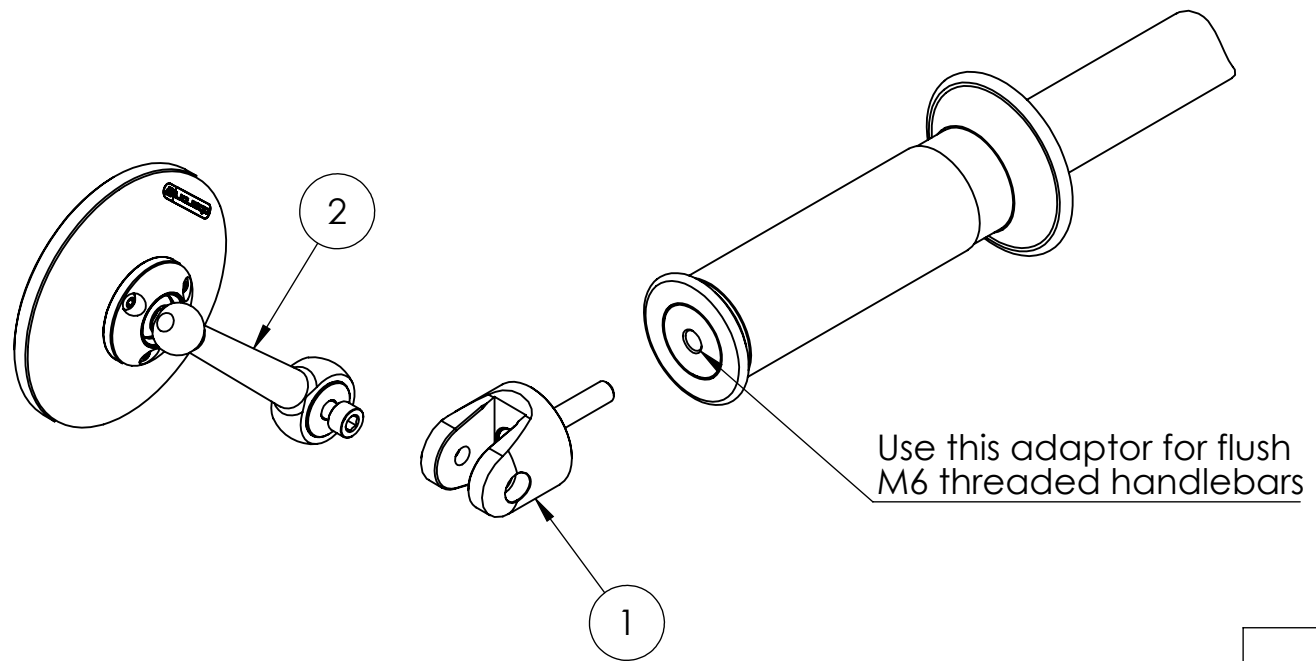
Use this adaptor for  $\varnothing 12\text{mm}$  to  $\varnothing 19\text{mm}$  hollow handlebars

DO NOT SCALE DRAWING		REVISION:
		
TITLE: Adjustable_Mirror_Adaptor		
DWG NO:	<b>AMA-M1419</b>	A4
SCALE:		

**PROPRIETARY AND CONFIDENTIAL**  
 THE INFORMATION CONTAINED IN THIS DRAWING IS THE SOLE PROPERTY OF OBERON PERFORMANCE LTD. ANY REPRODUCTION IN PART OR AS A WHOLE WITHOUT THE WRITTEN PERMISSION OF OBERON PERFORMANCE LTD IS PROHIBITED.

8 7 6 5 4 3 2 1

ITEM NO.	DESCRIPTION	QTY
1	AMA-M6 Adaptor	1
2	M6 Adjustable Mirror	1



DO NOT SCALE DRAWING REVISION:



TITLE:  
Adjustable Mirror Adaptor

**PROPRIETARY AND CONFIDENTIAL**  
THE INFORMATION CONTAINED IN THIS DRAWING IS THE SOLE PROPERTY OF OBERON PERFORMANCE LTD. ANY REPRODUCTION IN PART OR AS A WHOLE WITHOUT THE WRITTEN PERMISSION OF OBERON PERFORMANCE LTD IS PROHIBITED.

DWG NO: **AMA-M6** A4

SCALE:

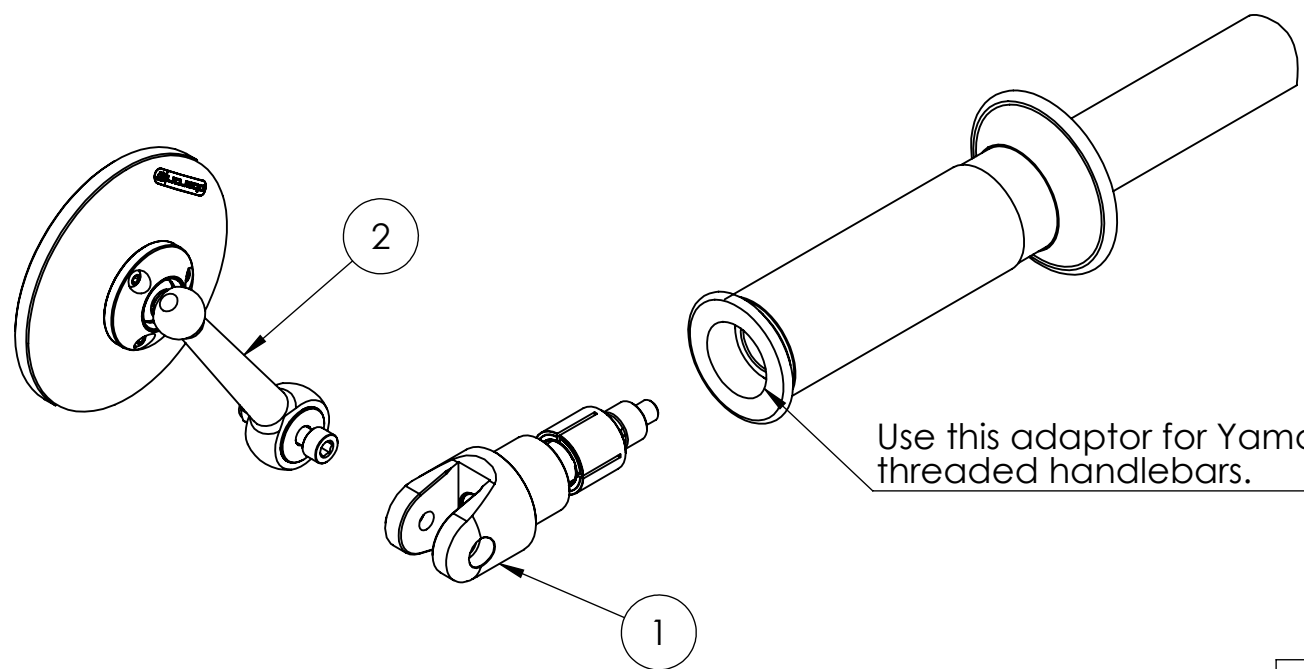
8 7 6 5 4 3 2 1

F  
E  
D  
C  
B  
A

F  
E  
D  
C  
B  
A

8 7 6 5 4 3 2 1

ITEM NO.	DESCRIPTION	QTY
1	AMA-M168 Adaptor	1
2	Adjustable Mirror	1



Use this adaptor for Yamaha threaded handlebars.

DO NOT SCALE DRAWING REVISION:



TITLE:  
Adjustable Mirror Adaptor

**PROPRIETARY AND CONFIDENTIAL**  
THE INFORMATION CONTAINED IN THIS DRAWING IS THE SOLE PROPERTY OF OBERON PERFORMANCE LTD. ANY REPRODUCTION IN PART OR AS A WHOLE WITHOUT THE WRITTEN PERMISSION OF OBERON PERFORMANCE LTD IS PROHIBITED.

DWG NO: **AMA-M168** A4

SCALE:

8 7 6 5 4 3 2 1

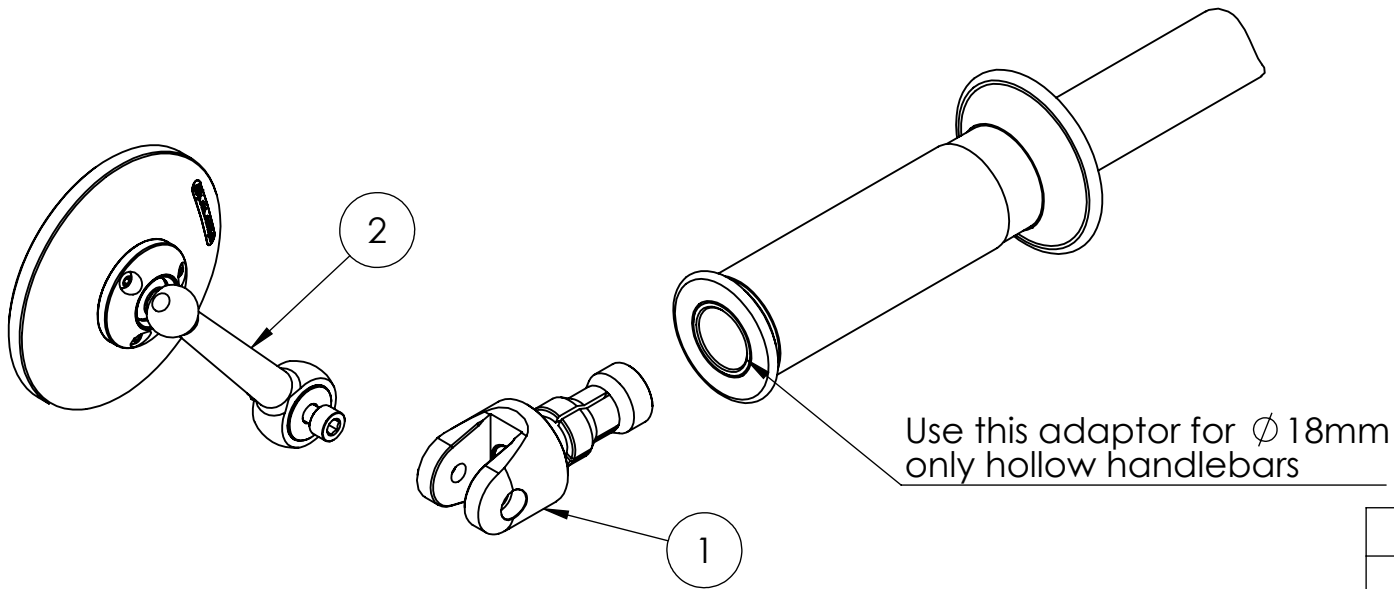
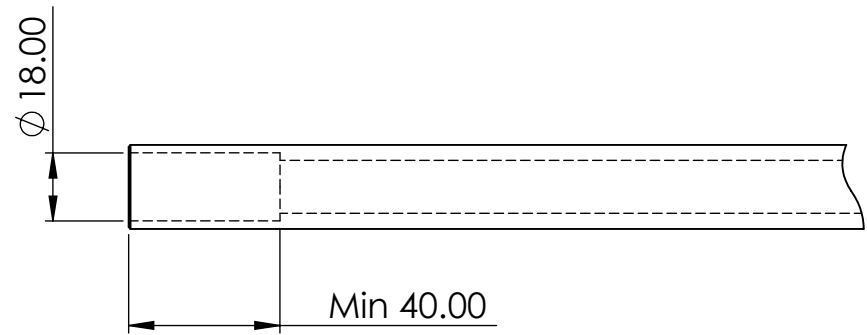
F  
E  
D  
C  
B  
A

F  
E  
D  
C  
B  
A

8 7 6 5 4 3 2 1

ITEM NO.	DESCRIPTION	QTY
1	AMA-M18 Adaptor	1
2	Adjustable Mirror	1

F  
E  
D  
C  
B  
A



DO NOT SCALE DRAWING REVISION:



TITLE:  
Adjustable\_Mirror\_Adaptor

**PROPRIETARY AND CONFIDENTIAL**  
THE INFORMATION CONTAINED IN THIS DRAWING IS THE SOLE PROPERTY OF OBERON PERFORMANCE LTD. ANY REPRODUCTION IN PART OR AS A WHOLE WITHOUT THE WRITTEN PERMISSION OF OBERON PERFORMANCE LTD IS PROHIBITED.

DWG NO: **AMA-M18** A4

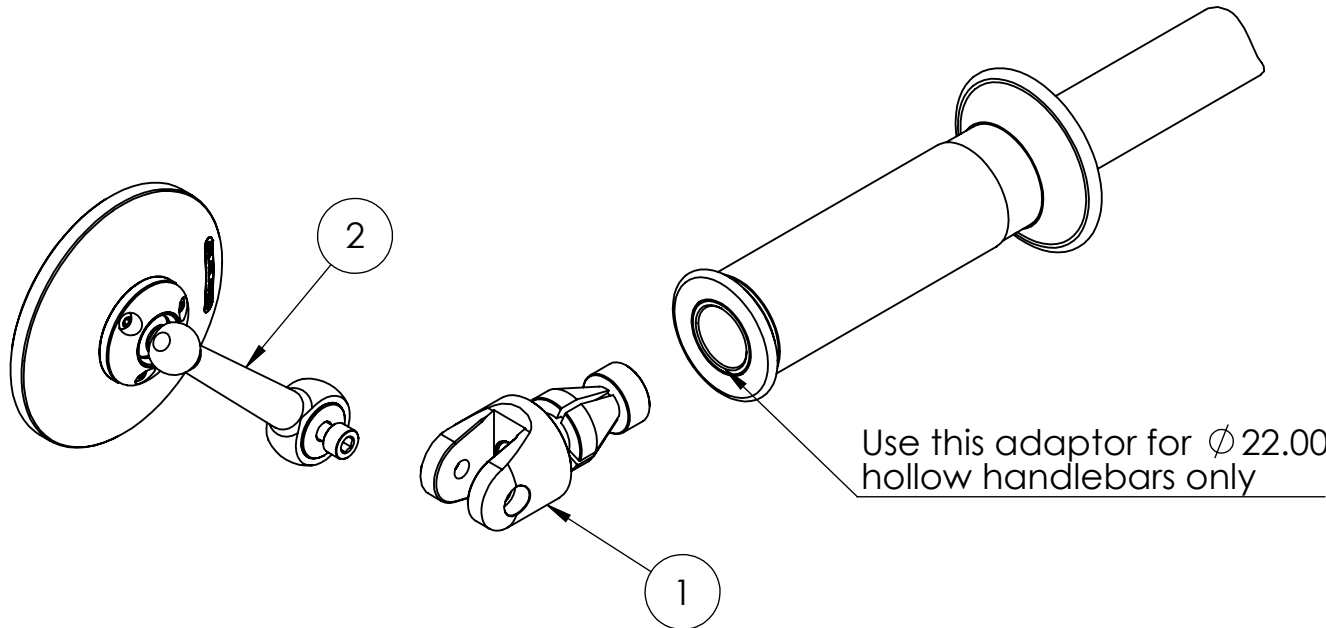
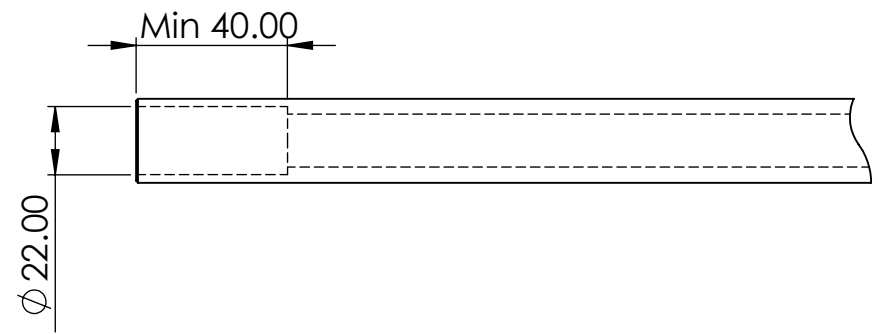
SCALE:

8 7 6 5 4 3 2 1

8 7 6 5 4 3 2 1

ITEM NO.	DESCRIPTION	QTY
1	AMA-M22 Adaptor	1
2	Adjustable Mirror	1


F  
E  
D  
C  
B  
A



Use this adaptor for  $\phi 22.00$  hollow handlebars only

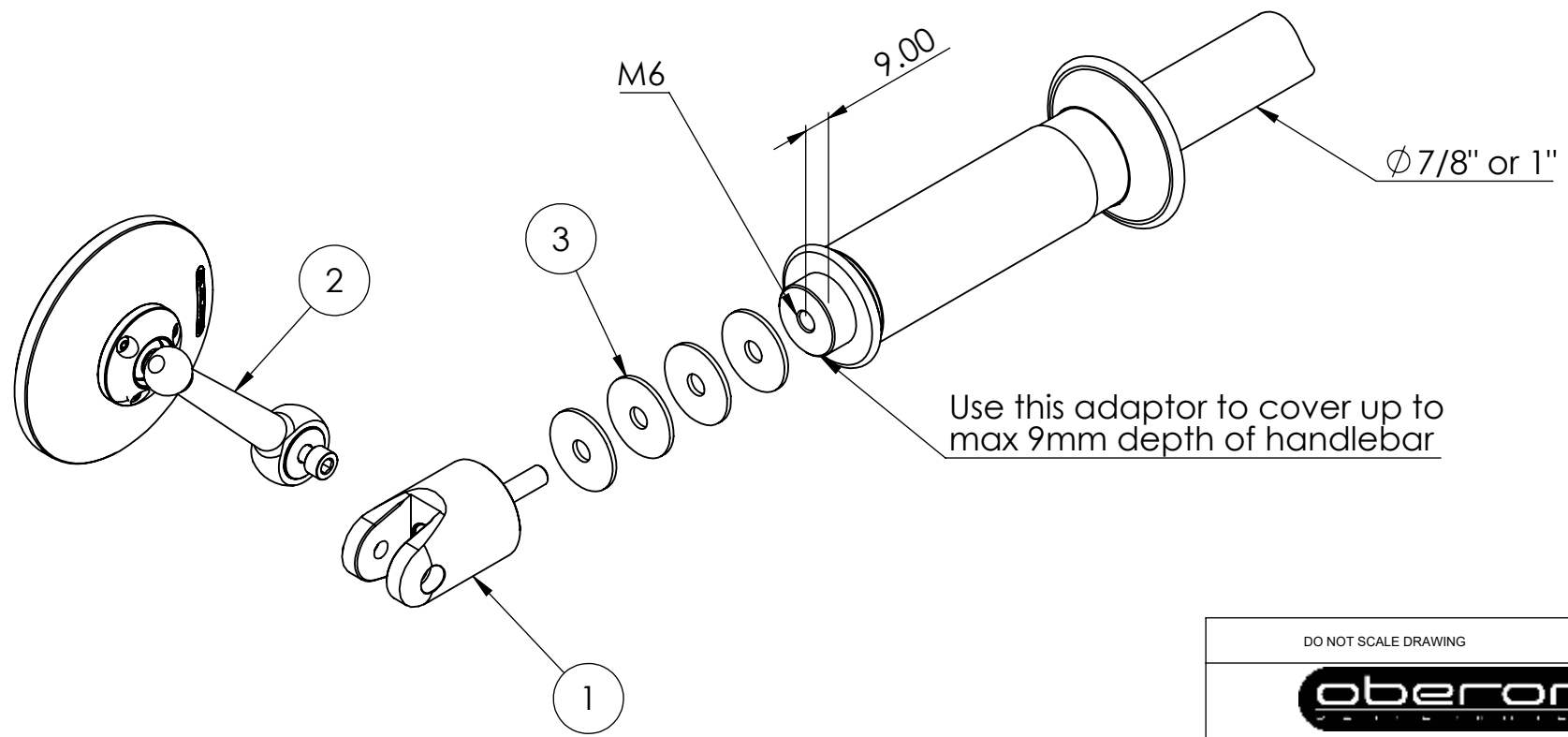
**PROPRIETARY AND CONFIDENTIAL**


THE INFORMATION CONTAINED IN THIS DRAWING IS THE SOLE PROPERTY OF OBERON PERFORMANCE LTD. ANY REPRODUCTION IN PART OR AS A WHOLE WITHOUT THE WRITTEN PERMISSION OF OBERON PERFORMANCE LTD IS PROHIBITED.

DO NOT SCALE DRAWING		REVISION:
		
TITLE:		
Adjustable_Mirror_Adaptor		
DWG NO:	<b>AMA-M22</b>	A4
SCALE:		

8 7 6 5 4 3 2 1

ITEM NO.	DESCRIPTION	QTY
1	AMA-M6CB Adaptor	1
2	Adjustable Mirror	1
3	Spacers (If required)	4

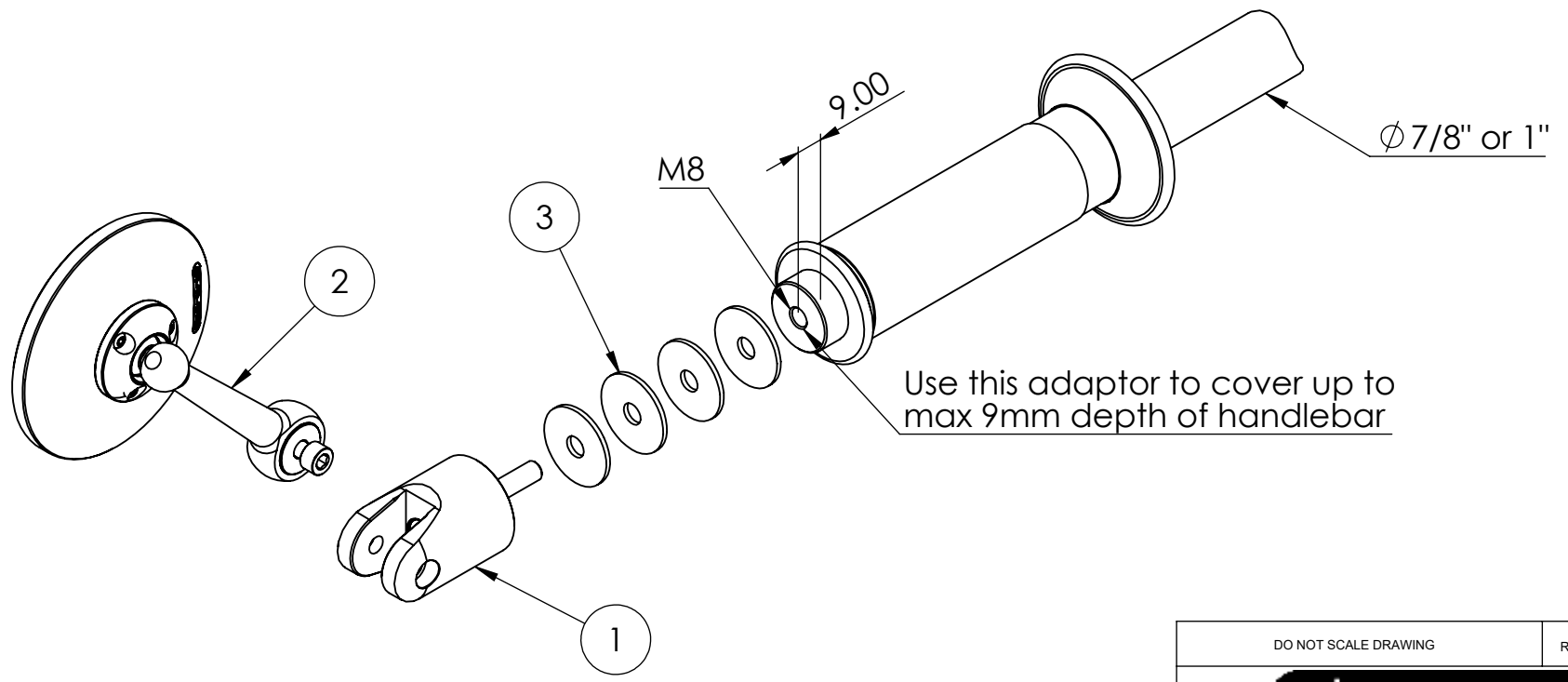



DO NOT SCALE DRAWING		REVISION:
		
TITLE:		
Adjustable_Mirror_Adaptor		
DWG NO:		A4
SCALE:		

**PROPRIETARY AND CONFIDENTIAL**

THE INFORMATION CONTAINED IN THIS DRAWING IS THE SOLE PROPERTY OF OBERON PERFORMANCE LTD. ANY REPRODUCTION IN PART OR AS A WHOLE WITHOUT THE WRITTEN PERMISSION OF OBERON PERFORMANCE LTD IS PROHIBITED.

ITEM NO.	DESCRIPTION	QTY
1	AMA-M8CB Adaptor	1
2	Adjustable Mirror	1
3	Spacers (If required)	4

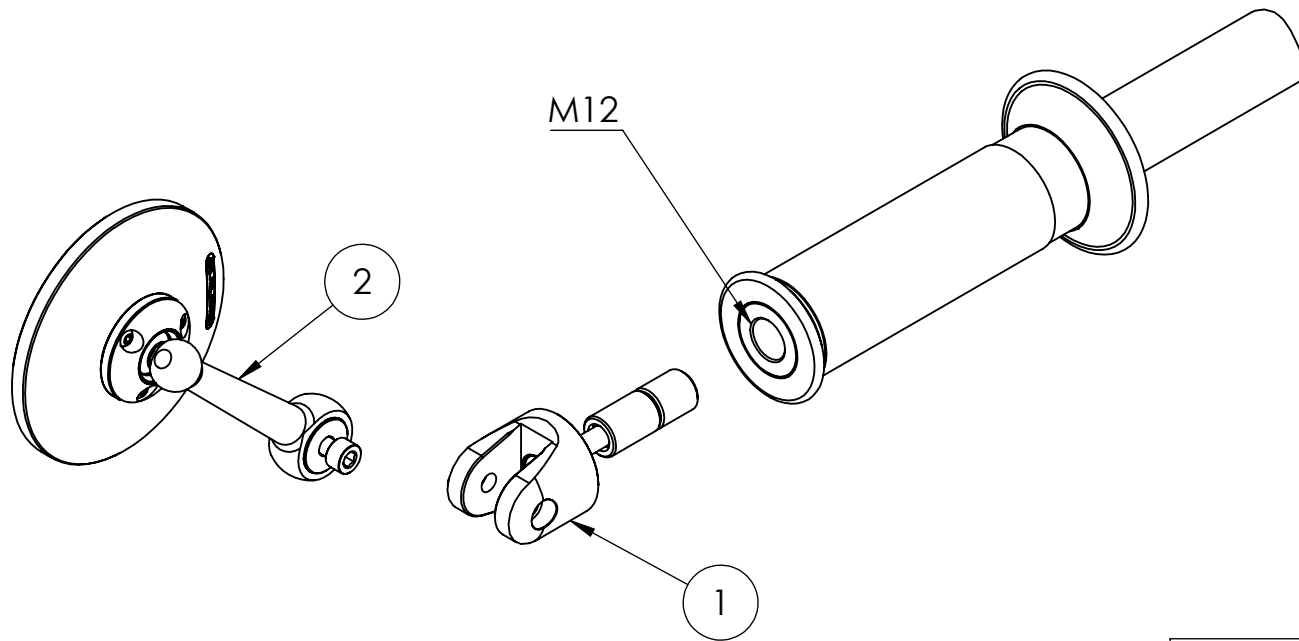



DO NOT SCALE DRAWING		REVISION:
		
TITLE:		
Adjustable_Mirror_Adaptor		
DWG NO:		A4
SCALE:		

**PROPRIETARY AND CONFIDENTIAL**

THE INFORMATION CONTAINED IN THIS DRAWING IS THE SOLE PROPERTY OF OBERON PERFORMANCE LTD. ANY REPRODUCTION IN PART OR AS A WHOLE WITHOUT THE WRITTEN PERMISSION OF OBERON PERFORMANCE LTD IS PROHIBITED.

ITEM NO.	DESCRIPTION	QTY
1	AMA-R9S1R Adaptor	1
2	Adjustable Mirror	1



DO NOT SCALE DRAWING		REVISION:
		
TITLE:  Adjustable_Mirror_Adaptor		
DWG NO:	<b>AMA-R9S1R</b>	A4
SCALE:		

**PROPRIETARY AND CONFIDENTIAL**

THE INFORMATION CONTAINED IN THIS DRAWING IS THE SOLE PROPERTY OF OBERON PERFORMANCE LTD. ANY REPRODUCTION IN PART OR AS A WHOLE WITHOUT THE WRITTEN PERMISSION OF OBERON PERFORMANCE LTD IS PROHIBITED.