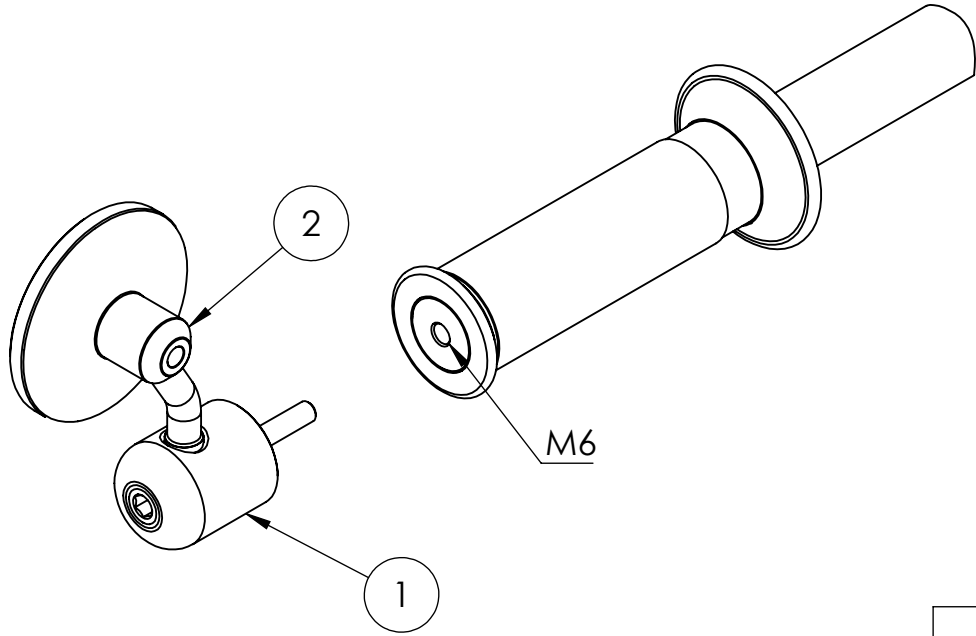


8 7 6 5 4 3 2 1

ITEM NO.	DESCRIPTION	QTY
1	Adaptor 06	1
2	Streetfighter Mirror	1

06



DO NOT SCALE DRAWING		REVISION:
		
TITLE:		
<h1>Adaptor 06</h1>		
DWG NO:		A4
Streetfighter Mirror MIS		
SCALE:		

PROPRIETARY AND CONFIDENTIAL

THE INFORMATION CONTAINED IN THIS DRAWING IS THE SOLE PROPERTY OF OBERON PERFORMANCE LTD. ANY REPRODUCTION IN PART OR AS A WHOLE WITHOUT THE WRITTEN PERMISSION OF OBERON PERFORMANCE LTD IS PROHIBITED.

8 7 6 5 4 3 2 1

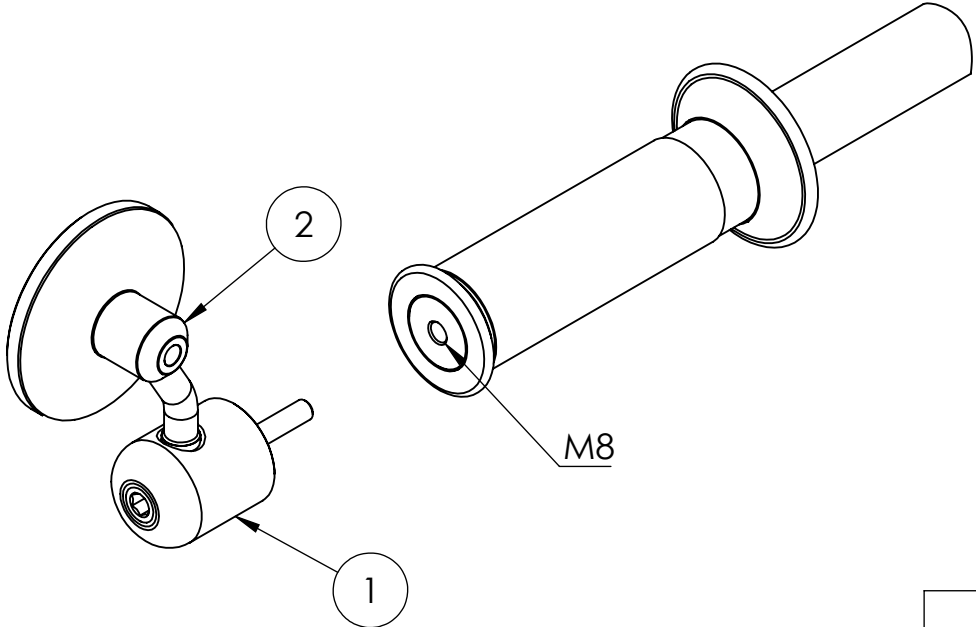
F
E
D
C
B
A

F
E
D
C
B
A

8 7 6 5 4 3 2 1

ITEM NO.	DESCRIPTION	QTY
1	Adaptor 08	1
2	Streetfighter Mirror	1

08



DO NOT SCALE DRAWING REVISION:



TITLE:
Adaptor 08

PROPRIETARY AND CONFIDENTIAL
THE INFORMATION CONTAINED IN THIS DRAWING IS THE SOLE PROPERTY OF OBERON PERFORMANCE LTD. ANY REPRODUCTION IN PART OR AS A WHOLE WITHOUT THE WRITTEN PERMISSION OF OBERON PERFORMANCE LTD IS PROHIBITED.

DWG NO: **Streetfighter Mirror MIS** A4

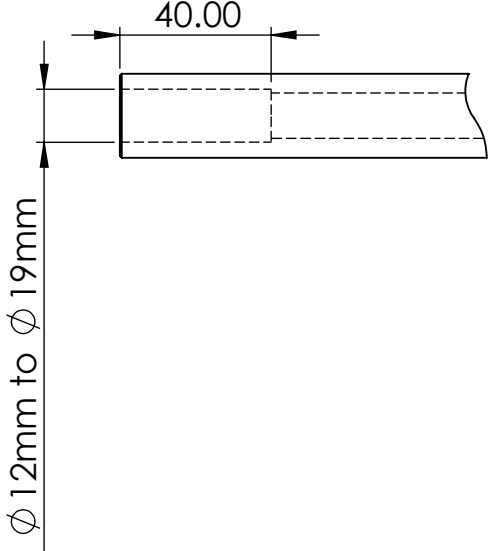
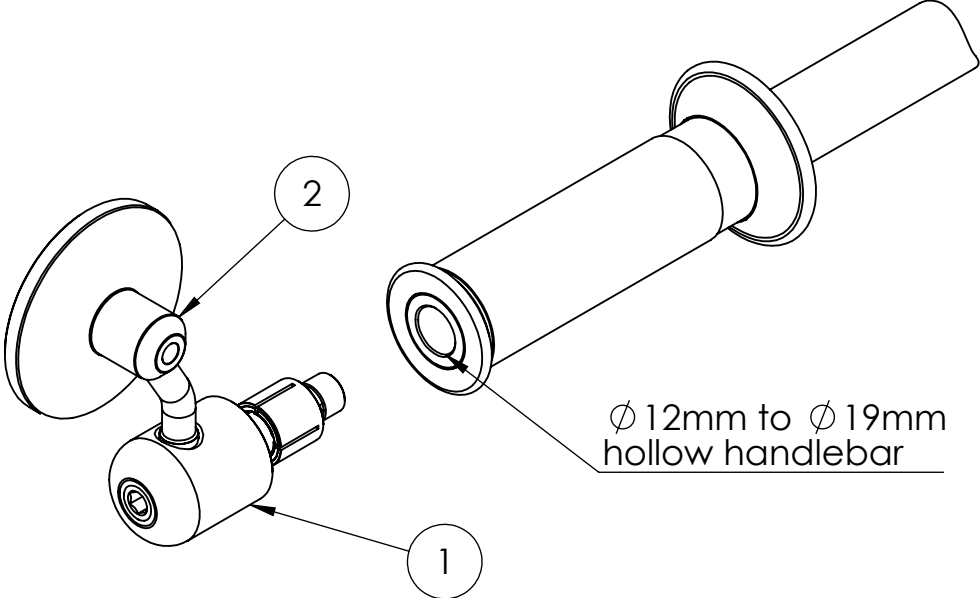
SCALE:

8 7 6 5 4 3 2 1

8 7 6 5 4 3 2 1

ITEM NO.	DESCRIPTION	QTY
1	Adaptor 14	1
2	Streetfighter Mirror	1

14



Ø 12mm to Ø 19mm hollow handlebar

DO NOT SCALE DRAWING		REVISION:
		
TITLE: Adaptor 14		
DWG NO: Streetfighter Mirror MIS		A4
SCALE:		

PROPRIETARY AND CONFIDENTIAL
 THE INFORMATION CONTAINED IN THIS DRAWING IS THE SOLE PROPERTY OF OBERON PERFORMANCE LTD. ANY REPRODUCTION IN PART OR AS A WHOLE WITHOUT THE WRITTEN PERMISSION OF OBERON PERFORMANCE LTD IS PROHIBITED.

8 7 6 5 4 3 2 1

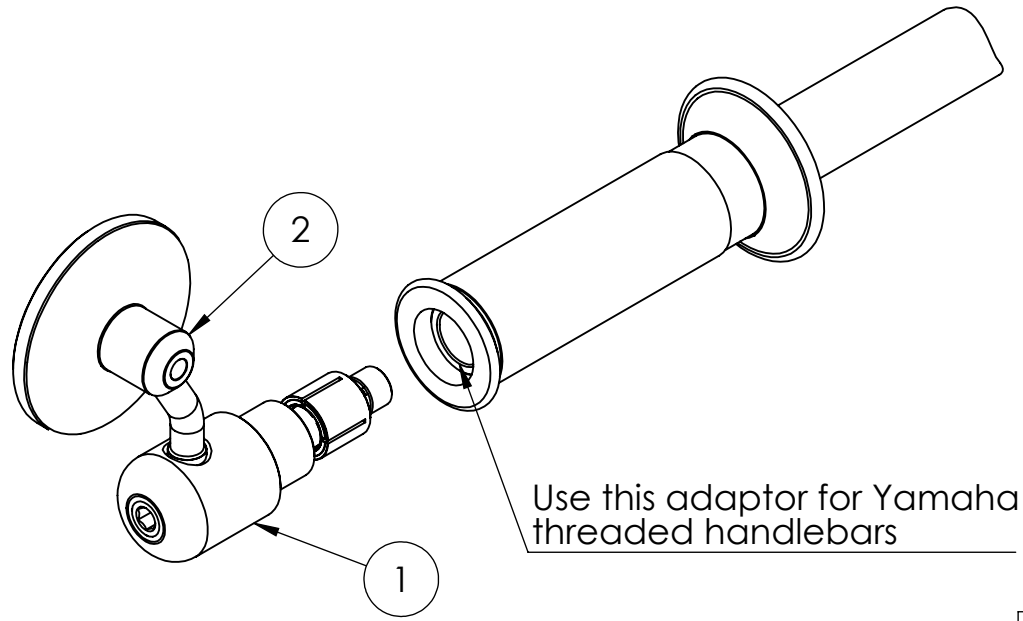
F
E
D
C
B
A

F
E
D
C
B
A

8 7 6 5 4 3 2 1

ITEM NO.	DESCRIPTION	QTY
1	Adaptor 16	1
2	Streetfighter Mirror	1

16



DO NOT SCALE DRAWING REVISION:



TITLE:
Adaptor 16

PROPRIETARY AND CONFIDENTIAL

THE INFORMATION CONTAINED IN THIS DRAWING IS THE SOLE PROPERTY OF OBERON PERFORMANCE LTD. ANY REPRODUCTION IN PART OR AS A WHOLE WITHOUT THE WRITTEN PERMISSION OF OBERON PERFORMANCE LTD IS PROHIBITED.

DWG NO:
Streetfighter Mirror MIS

A4

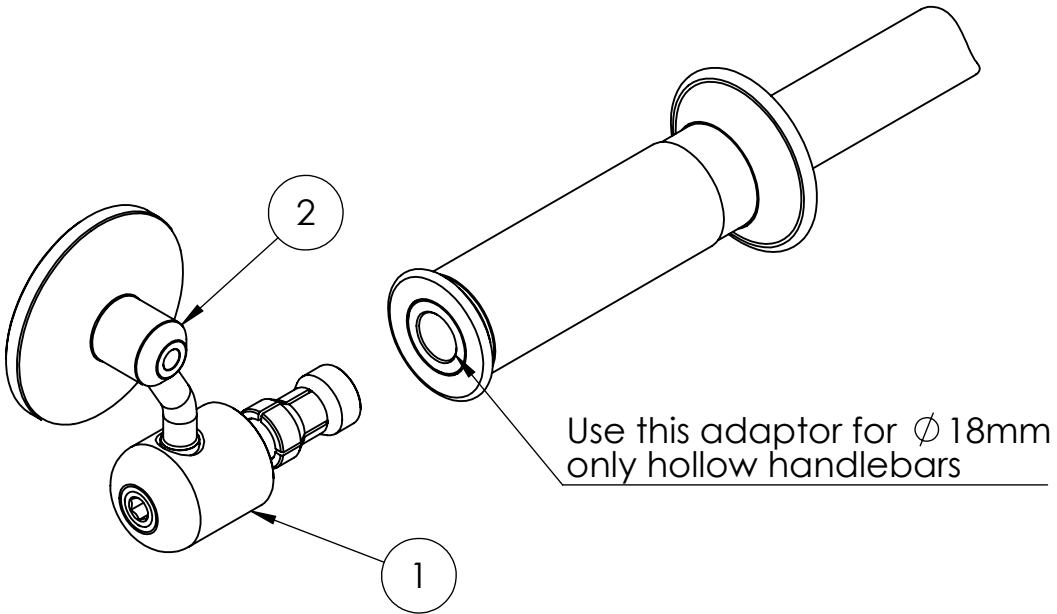
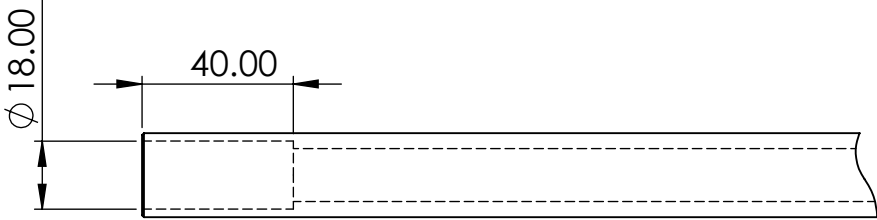
SCALE:

8 7 6 5 4 3 2 1

8 7 6 5 4 3 2 1

ITEM NO.	DESCRIPTION	QTY
1	Adaptor 18	1
2	Streetfighter Mirror	1

18



DO NOT SCALE DRAWING		REVISION:
		
TITLE:		
<h1>Adaptor 18</h1>		
DWG NO:		A4
Streetfighter Mirror MIS		
SCALE:		

PROPRIETARY AND CONFIDENTIAL

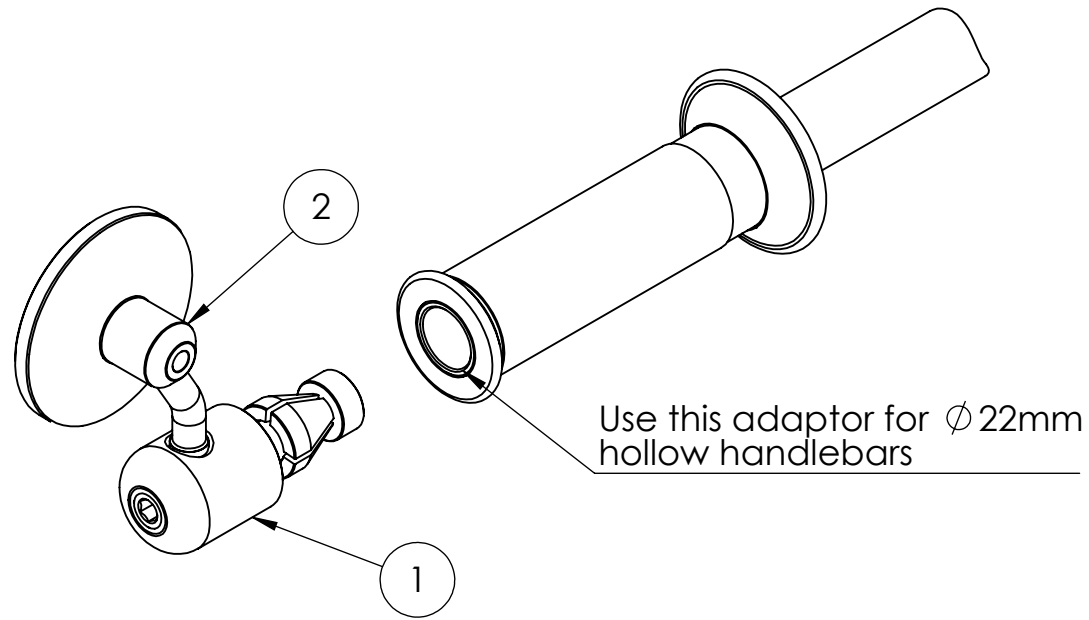
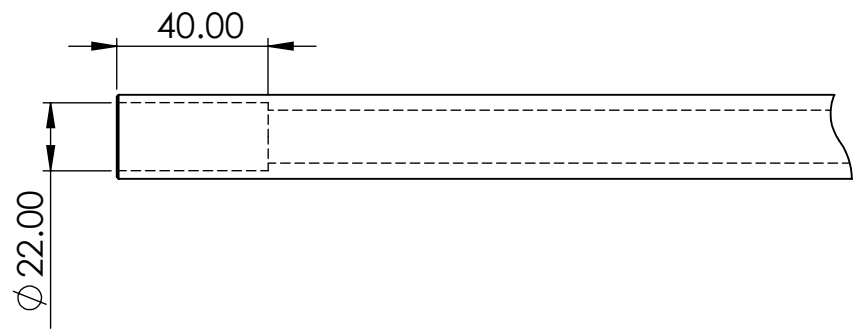
THE INFORMATION CONTAINED IN THIS DRAWING IS THE SOLE PROPERTY OF OBERON PERFORMANCE LTD. ANY REPRODUCTION IN PART OR AS A WHOLE WITHOUT THE WRITTEN PERMISSION OF OBERON PERFORMANCE LTD IS PROHIBITED.

8 7 6 5 4 3 2 1

8 7 6 5 4 3 2 1

ITEM NO.	DESCRIPTION	QTY
1	Adaptor 22	1
2	Streetfighter Mirror	1

22



DO NOT SCALE DRAWING REVISION:



TITLE:
Adaptor 22

PROPRIETARY AND CONFIDENTIAL
THE INFORMATION CONTAINED IN THIS DRAWING IS THE SOLE PROPERTY OF OBERON PERFORMANCE LTD. ANY REPRODUCTION IN PART OR AS A WHOLE WITHOUT THE WRITTEN PERMISSION OF OBERON PERFORMANCE LTD IS PROHIBITED.

DWG NO: **Streetfighter Mirror MIS** A4

SCALE:

8 7 6 5 4 3 2 1

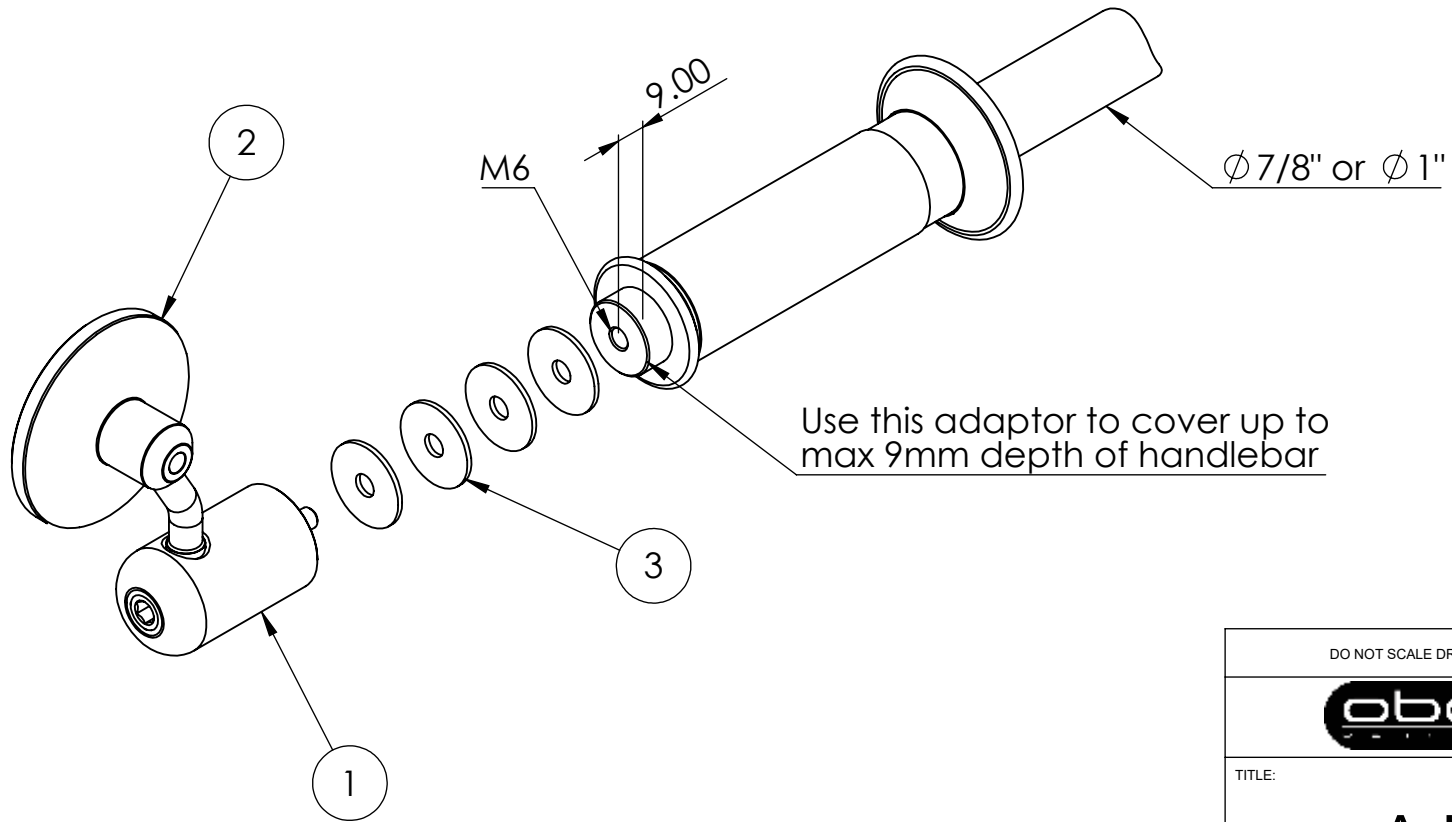
F
E
D
C
B
A

F
E
D
C
B
A

8 7 6 5 4 3 2 1

ITEM NO.	DESCRIPTION	QTY
1	Adaptor 26	1
2	Streetfighter Mirror	1
3	Spacer (If required)	4

26



DO NOT SCALE DRAWING		REVISION:
		
TITLE: Adaptor 26		
DWG NO:		A4
Streetfighter Mirror MIS		
SCALE:		

PROPRIETARY AND CONFIDENTIAL
 THE INFORMATION CONTAINED IN THIS DRAWING IS THE SOLE PROPERTY OF OBERON PERFORMANCE LTD. ANY REPRODUCTION IN PART OR AS A WHOLE WITHOUT THE WRITTEN PERMISSION OF OBERON PERFORMANCE LTD IS PROHIBITED.

8 7 6 5 4 3 2 1

F

E

D

C

B

A

F

E

D

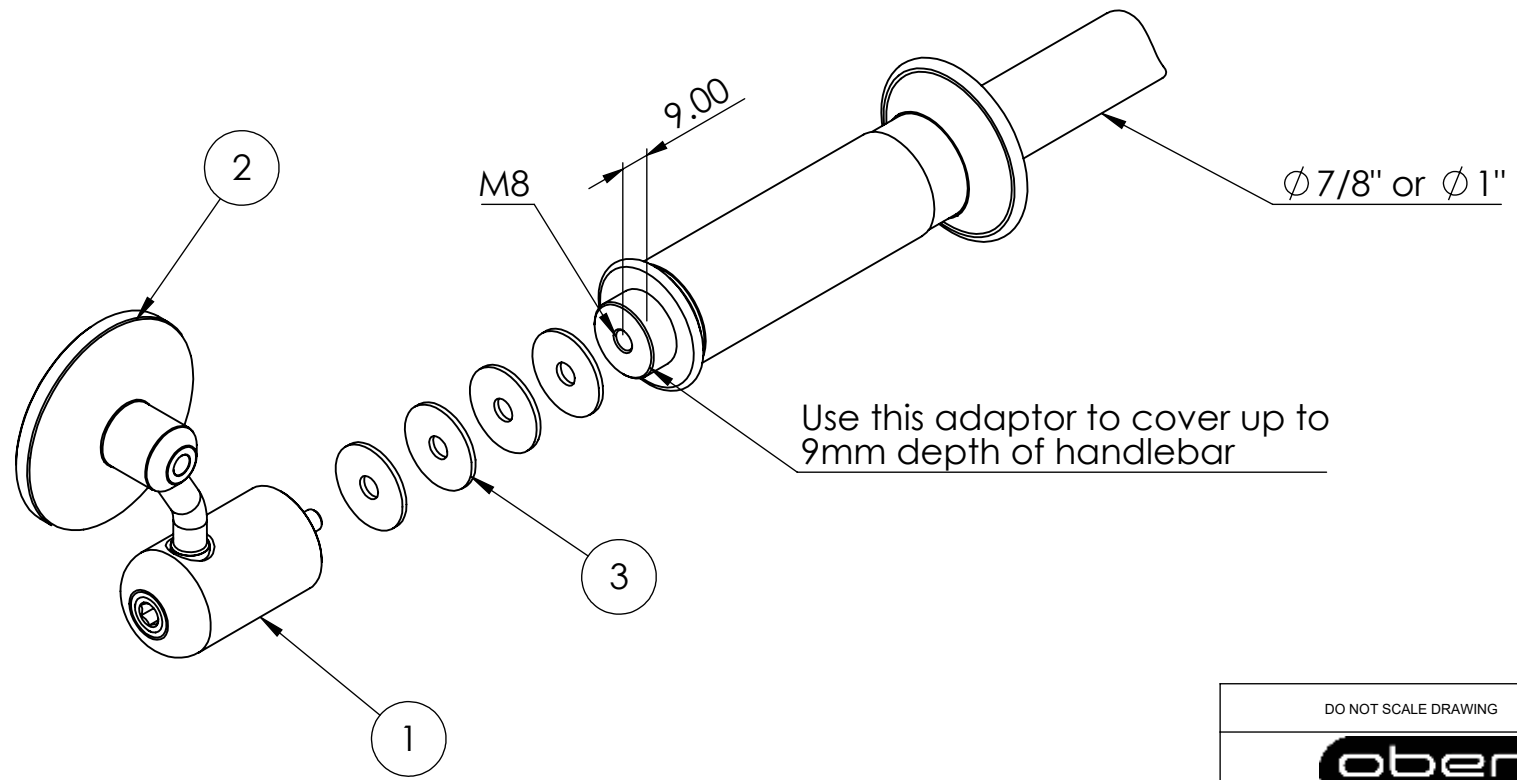
C

B

A

28

ITEM NO.	DESCRIPTION	QTY
1	Adaptor 28	1
2	Streetfighter Mirror	1
3	Spacer (If required)	4



DO NOT SCALE DRAWING REVISION:



TITLE:
Adaptor 28

PROPRIETARY AND CONFIDENTIAL
THE INFORMATION CONTAINED IN THIS DRAWING IS THE SOLE PROPERTY OF OBERON PERFORMANCE LTD. ANY REPRODUCTION IN PART OR AS A WHOLE WITHOUT THE WRITTEN PERMISSION OF OBERON PERFORMANCE LTD IS PROHIBITED.

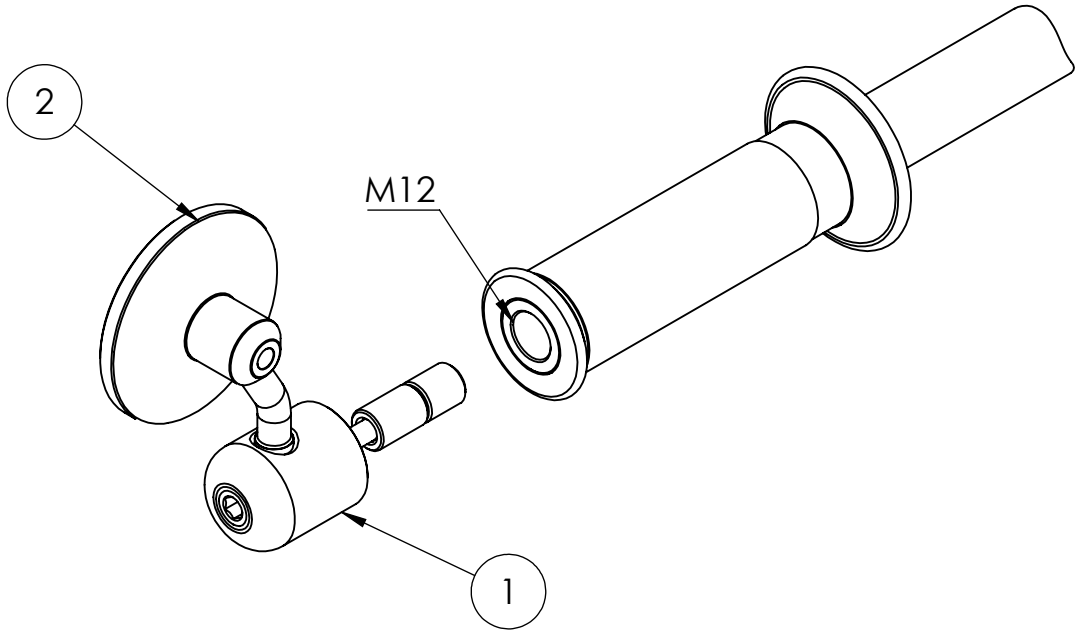
DWG NO: **Streetfighter Mirror MIS** **A4**

SCALE:

8 7 6 5 4 3 2 1

ITEM NO.	DESCRIPTION	QTY
1	Adaptor 60	1
2	Streetfighter Mirror	1

60



DO NOT SCALE DRAWING		REVISION:
		
TITLE:		
Adaptor 60		
DWG NO:		A4
Streetfighter Mirror MIS		
SCALE:		

PROPRIETARY AND CONFIDENTIAL

THE INFORMATION CONTAINED IN THIS DRAWING IS THE SOLE PROPERTY OF OBERON PERFORMANCE LTD. ANY REPRODUCTION IN PART OR AS A WHOLE WITHOUT THE WRITTEN PERMISSION OF OBERON PERFORMANCE LTD IS PROHIBITED.

8 7 6 5 4 3 2 1

F

E

D

C

B

A

F

E

D

C

B

A