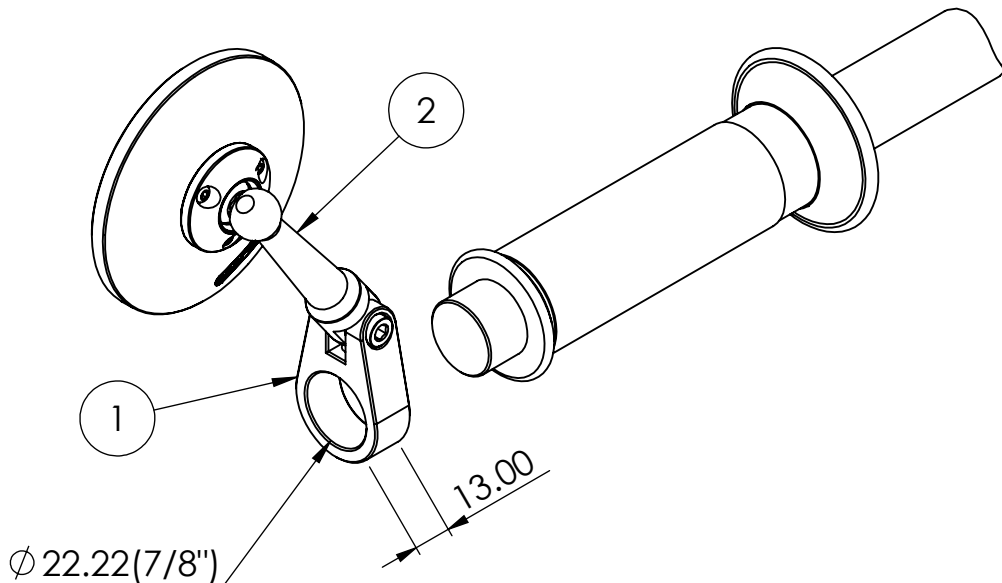
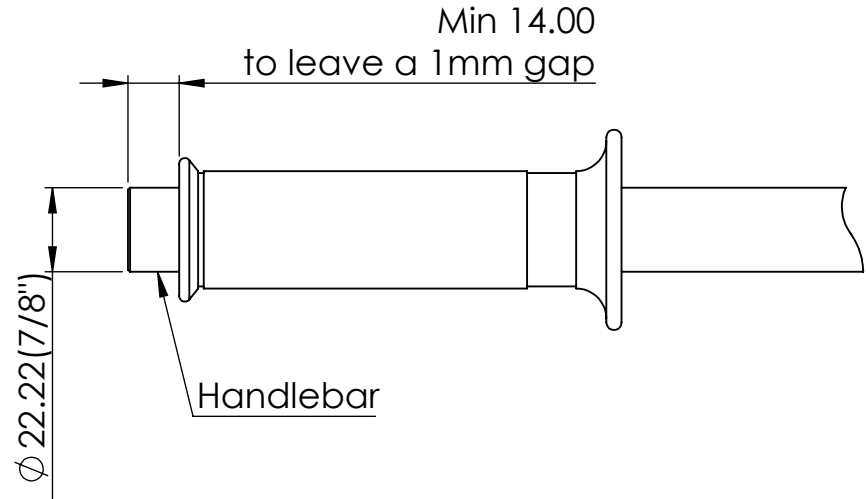



8 7 6 5 4 3 2 1

ITEM NO.	DESCRIPTION	ADAPTOR CODE	QTY
1	7/8" (22.22mm) Clamp	78	1
2	Clamp Mirror		1

**78**



DO NOT SCALE DRAWING		REVISION:
		
TITLE: <h1>Adaptor 78</h1>		
DWG NO:		A4
SCALE:		

**PROPRIETARY AND CONFIDENTIAL**

THE INFORMATION CONTAINED IN THIS DRAWING IS THE SOLE PROPERTY OF OBERON PERFORMANCE LTD. ANY REPRODUCTION IN PART OR AS A WHOLE WITHOUT THE WRITTEN PERMISSION OF OBERON PERFORMANCE LTD IS PROHIBITED.

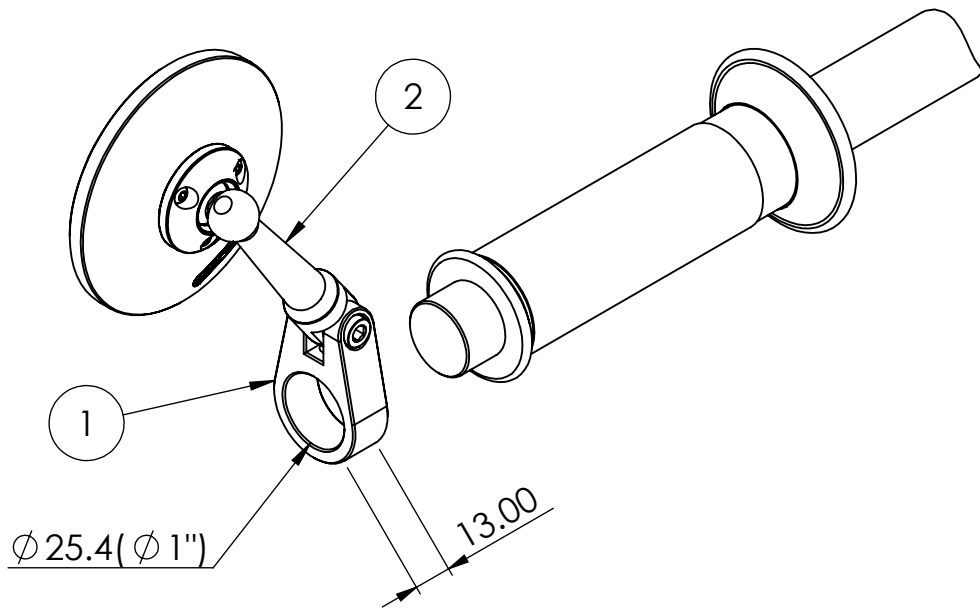
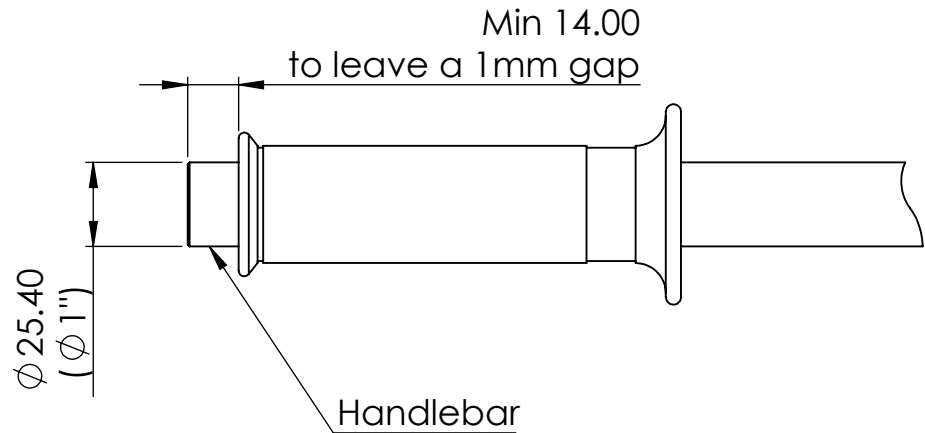
8 7 6 5 4 3 2 1

8 7 6 5 4 3 2 1

ITEM NO.	DESCRIPTION	ADAPTOR CODE	QTY
1	1" (25.4mm) Clamp	01	1
2	Clamp Mirror		1


**01**

Note:  
 This clamp size works for direct fitting  
 dia 1" (25.4mm) handlebars only.  
 If your handlebars require the use of one of our  
 other adaptors then please order  
 a dia 7/8" (22.22mm) clamp instead plus the adaptor.



**PROPRIETARY AND CONFIDENTIAL**

THE INFORMATION CONTAINED IN THIS DRAWING IS THE SOLE PROPERTY OF OBERON PERFORMANCE LTD. ANY REPRODUCTION IN PART OR AS A WHOLE WITHOUT THE WRITTEN PERMISSION OF OBERON PERFORMANCE LTD IS PROHIBITED.

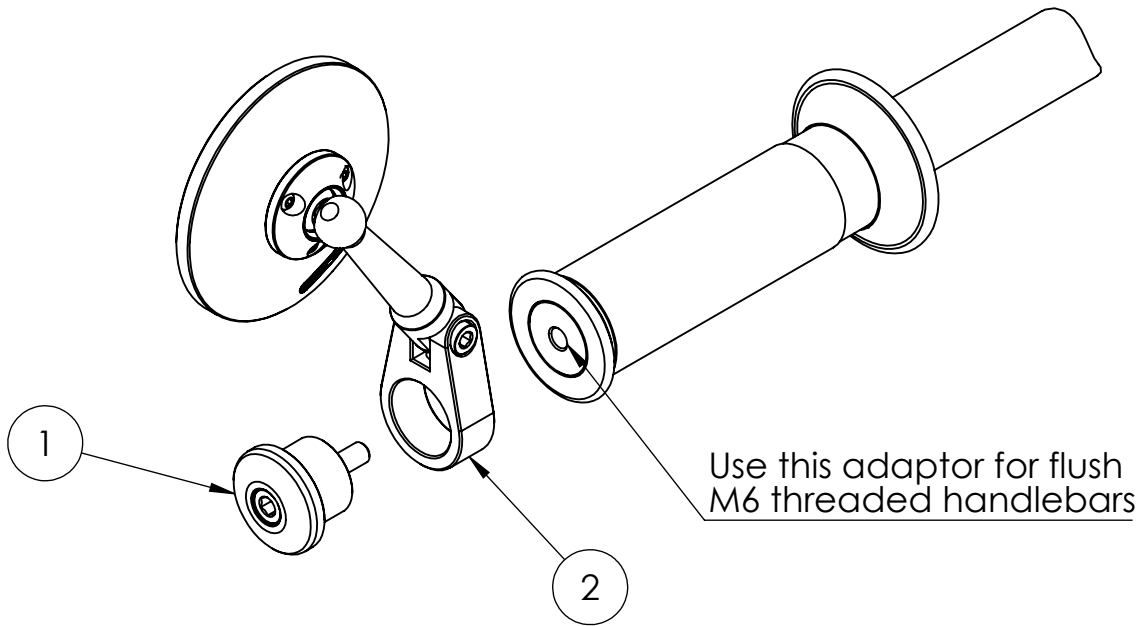
DO NOT SCALE DRAWING		REVISION:
		
TITLE: <h1>Adaptor 01</h1>		
DWG NO:		A4
Clamp Mirror MIC		
SCALE:		

8 7 6 5 4 3 2 1

8 7 6 5 4 3 2 1

ITEM NO.	DESCRIPTION	ADAPTOR CODE	QTY
1	Mirror Adaptor	06	1
2	7/8" (22.22mm) Clamp Mirror		1

**06**



DO NOT SCALE DRAWING REVISION:



TITLE: **Adaptor 06**

**PROPRIETARY AND CONFIDENTIAL**  
 THE INFORMATION CONTAINED IN THIS DRAWING IS THE SOLE PROPERTY OF OBERON PERFORMANCE LTD. ANY REPRODUCTION IN PART OR AS A WHOLE WITHOUT THE WRITTEN PERMISSION OF OBERON PERFORMANCE LTD IS PROHIBITED.

DWG NO: **Clamp Mirror MIC** A4

SCALE:

8 7 6 5 4 3 2 1

F

E

D

C

B

A

F

E

D

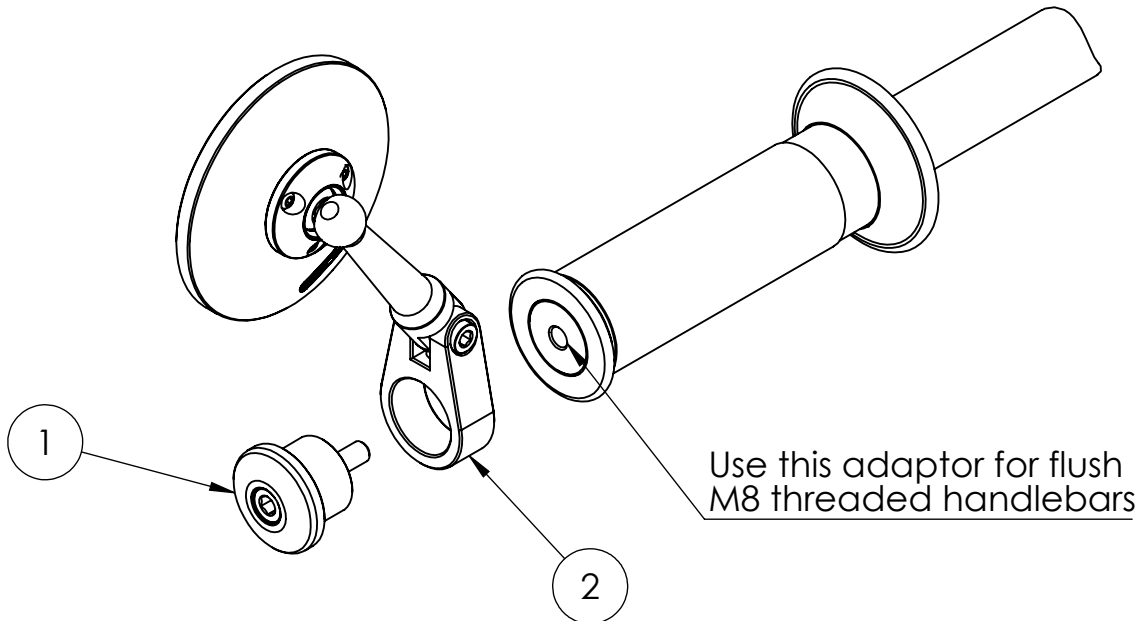
C

B

A


08

ITEM NO.	DESCRIPTION	ADAPTOR CODE	QTY
1	Mirror Adaptor	08	1
2	7/8" (22.22mm) Clamp Mirror		1



**PROPRIETARY AND CONFIDENTIAL**

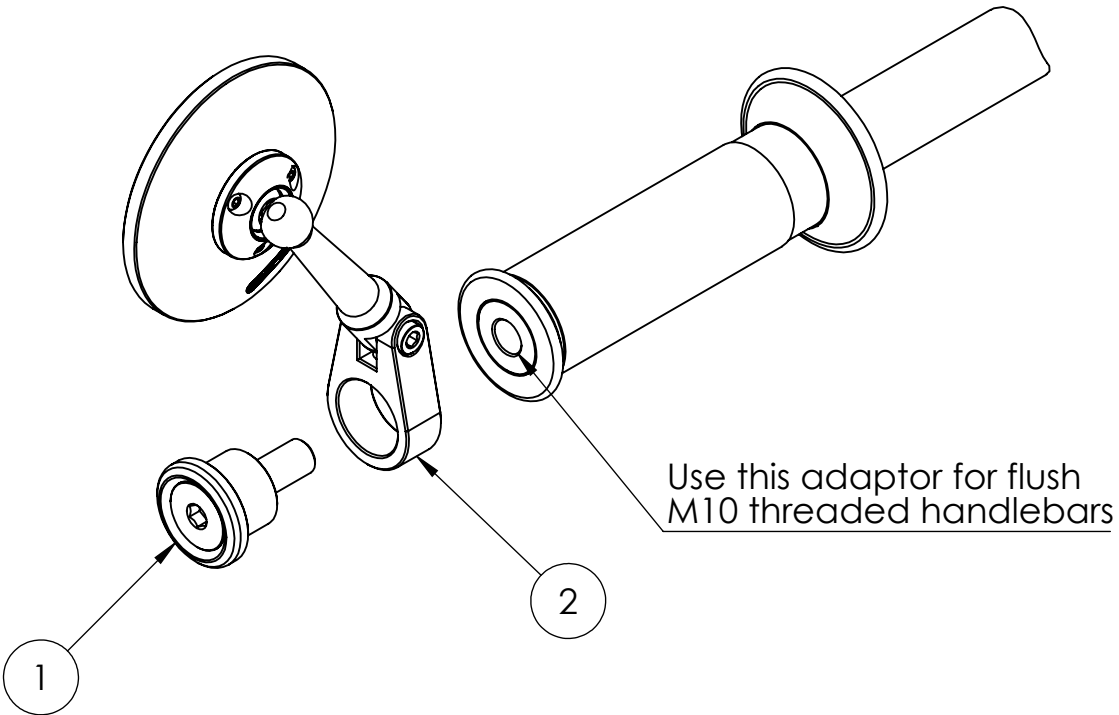
THE INFORMATION CONTAINED IN THIS DRAWING IS THE SOLE PROPERTY OF OBERON PERFORMANCE LTD. ANY REPRODUCTION IN PART OR AS A WHOLE WITHOUT THE WRITTEN PERMISSION OF OBERON PERFORMANCE LTD IS PROHIBITED.

DO NOT SCALE DRAWING		REVISION:
		
TITLE:		
Adaptor 08		
DWG NO:	Clamp Mirror MIC	A4
SCALE:		

8 7 6 5 4 3 2 1

ITEM NO.	DESCRIPTION	ADAPTOR CODE	QTY
1	Mirror Adaptor	10	1
2	7/8" (22.22mm) Clamp Mirror		1

10



DO NOT SCALE DRAWING REVISION:



TITLE: Adaptor 10

**PROPRIETARY AND CONFIDENTIAL**

THE INFORMATION CONTAINED IN THIS DRAWING IS THE SOLE PROPERTY OF OBERON PERFORMANCE LTD. ANY REPRODUCTION IN PART OR AS A WHOLE WITHOUT THE WRITTEN PERMISSION OF OBERON PERFORMANCE LTD IS PROHIBITED.

DWG NO: Clamp Mirror MIC A4

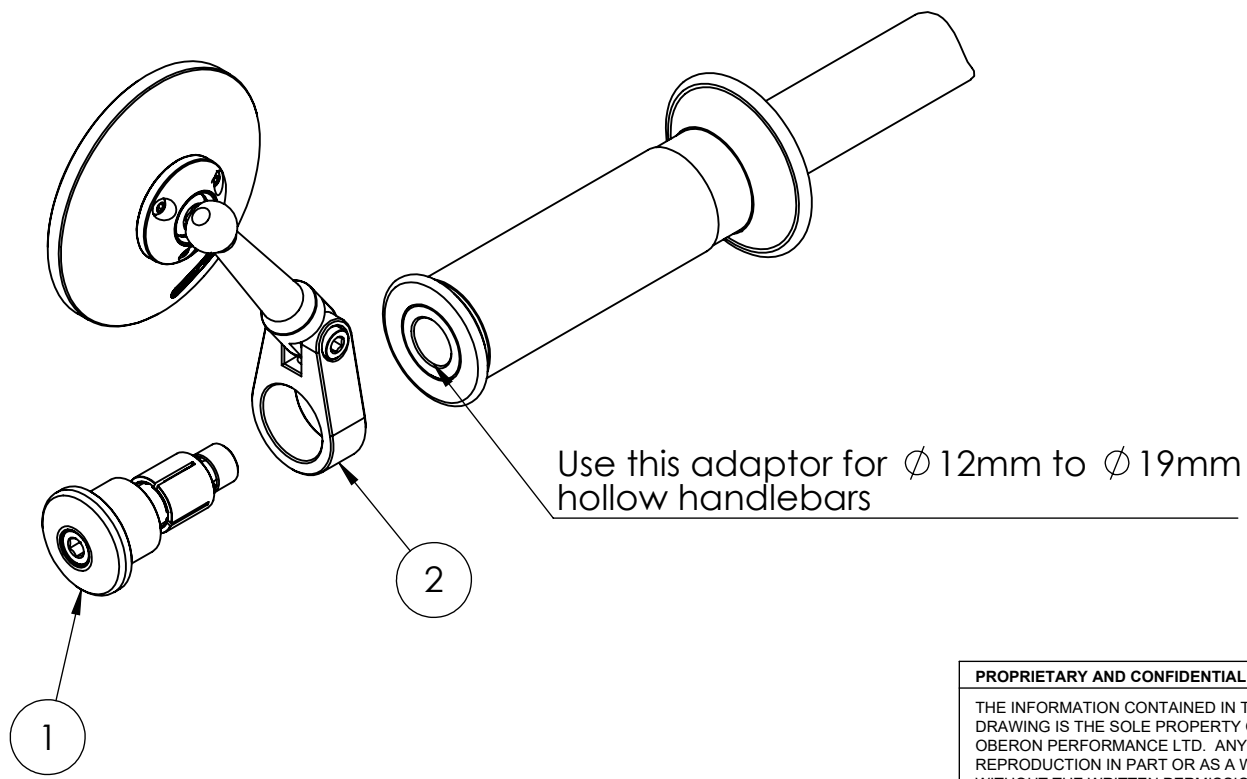
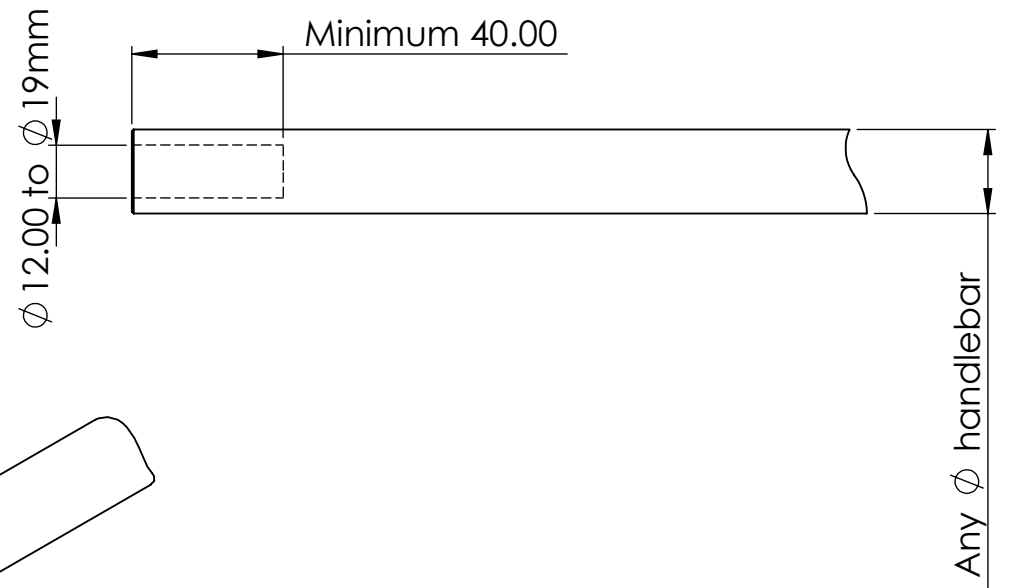
SCALE:

8 7 6 5 4 3 2 1

8 7 6 5 4 3 2 1

ITEM NO.	DESCRIPTION	ADAPTOR CODE	QTY
1	Mirror Adaptor	14	1
2	7/8" (22.22mm) Clamp Mirror		1

14



DO NOT SCALE DRAWING REVISION:



TITLE: **Adaptor 14**

**PROPRIETARY AND CONFIDENTIAL**  
 THE INFORMATION CONTAINED IN THIS DRAWING IS THE SOLE PROPERTY OF OBERON PERFORMANCE LTD. ANY REPRODUCTION IN PART OR AS A WHOLE WITHOUT THE WRITTEN PERMISSION OF OBERON PERFORMANCE LTD IS PROHIBITED.

DWG NO: **Clamp Mirror MIC** A4

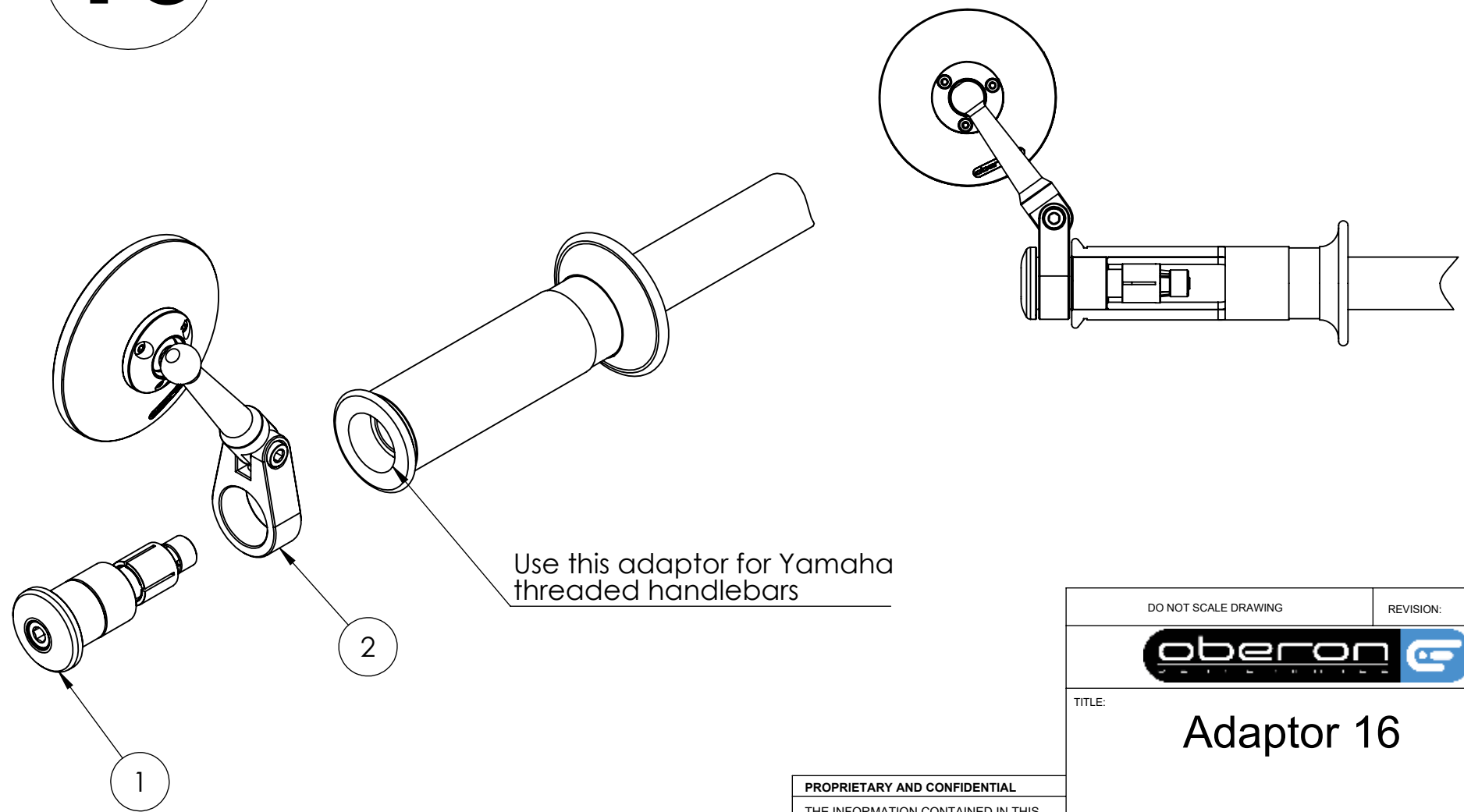
SCALE:

8 7 6 5 4 3 2 1

8 7 6 5 4 3 2 1

ITEM NO.	DESCRIPTION	ADAPTOR CODE	QTY
1	Mirror Adaptor	16	1
2	7/8" (22.22mm) Clamp Mirror		1

**16**



DO NOT SCALE DRAWING REVISION:



TITLE: **Adaptor 16**

**PROPRIETARY AND CONFIDENTIAL**  
 THE INFORMATION CONTAINED IN THIS DRAWING IS THE SOLE PROPERTY OF OBERON PERFORMANCE LTD. ANY REPRODUCTION IN PART OR AS A WHOLE WITHOUT THE WRITTEN PERMISSION OF OBERON PERFORMANCE LTD IS PROHIBITED.

DWG NO: **Clamp Mirror MIC** **A4**

SCALE:

8 7 6 5 4 3 2 1

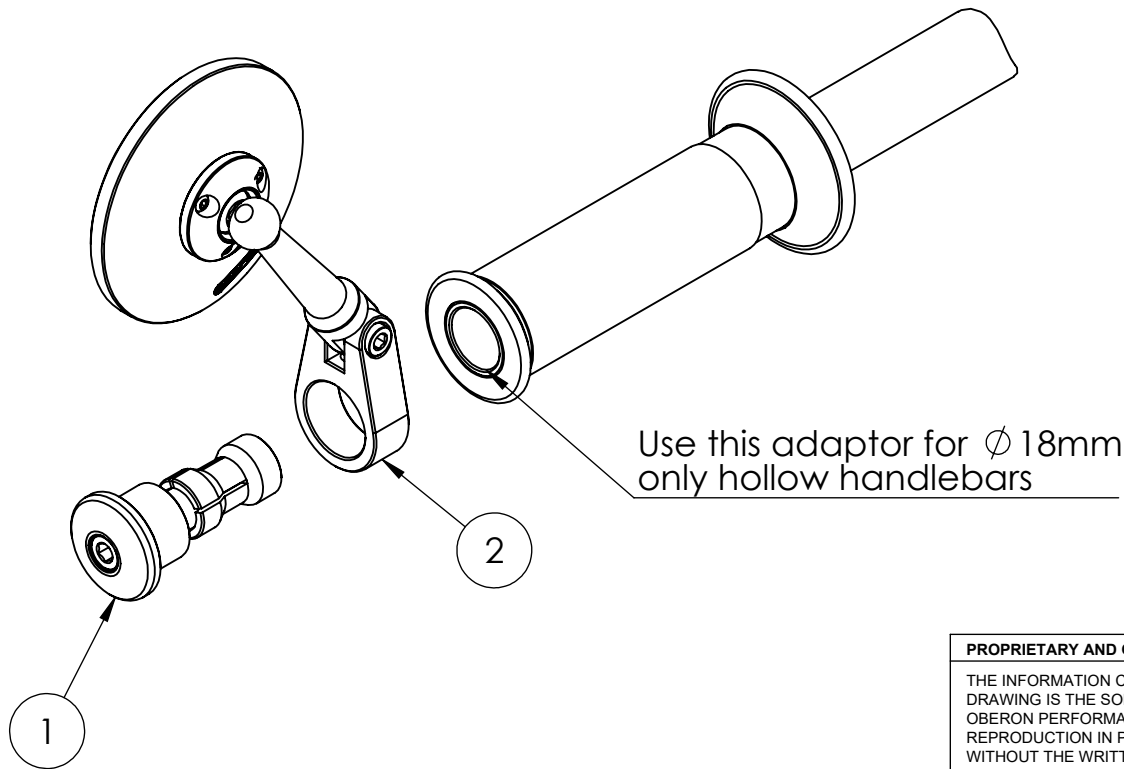
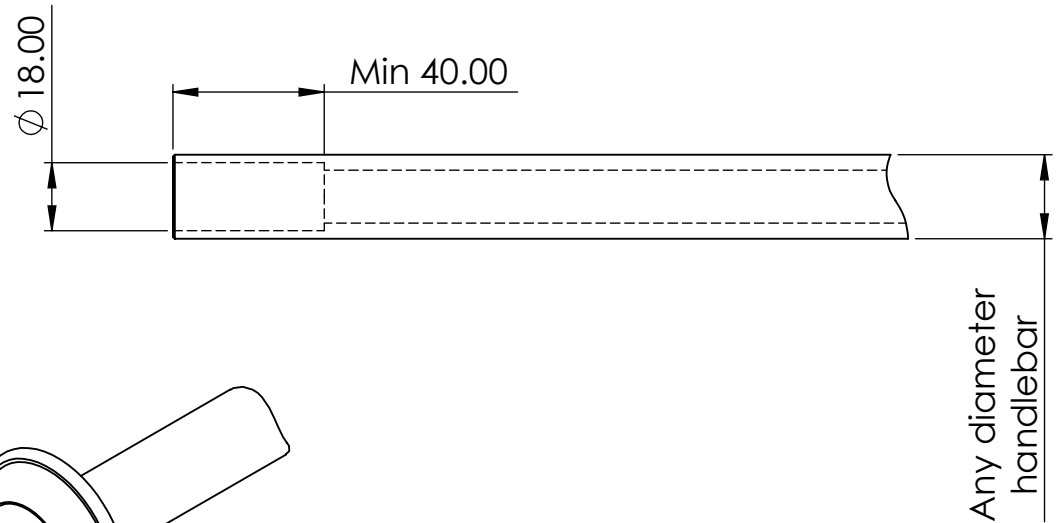
F  
E  
D  
C  
B  
A

F  
E  
D  
C  
B  
A


8 7 6 5 4 3 2 1

ITEM NO.	DESCRIPTION	ADAPTOR CODE	QTY
1	Mirror Adaptor	18	1
2	7/8" (22.22mm) Clamp Mirror		1

**18**



**PROPRIETARY AND CONFIDENTIAL**  
 THE INFORMATION CONTAINED IN THIS DRAWING IS THE SOLE PROPERTY OF OBERON PERFORMANCE LTD. ANY REPRODUCTION IN PART OR AS A WHOLE WITHOUT THE WRITTEN PERMISSION OF OBERON PERFORMANCE LTD IS PROHIBITED.

DO NOT SCALE DRAWING		REVISION:
		
TITLE: <b>Adaptor 18</b>		
DWG NO:		A4
SCALE:		

8 7 6 5 4 3 2 1

F

E

D

C

B

A

F

E

D

C

B

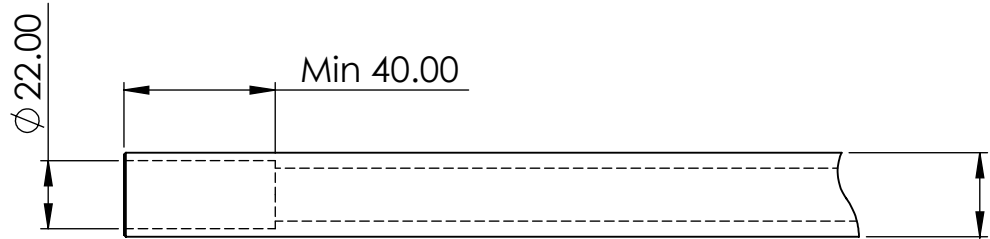
A



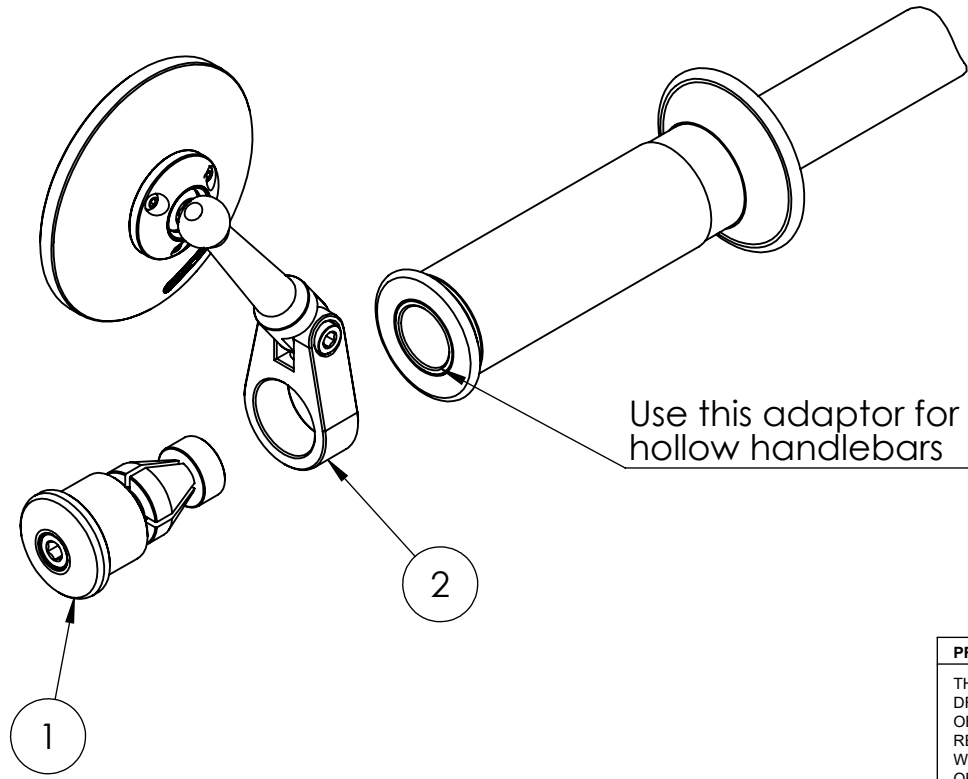
8 7 6 5 4 3 2 1

ITEM NO.	DESCRIPTION	ADAPTOR CODE	QTY
1	Mirror Adaptor	22	1
2	7/8" (22.22mm) Clamp Mirror		1

**22**



$\phi 25.40$  ( $\phi 1"$ ) or larger handlebar



Use this adaptor for  $\phi 22.00$  hollow handlebars

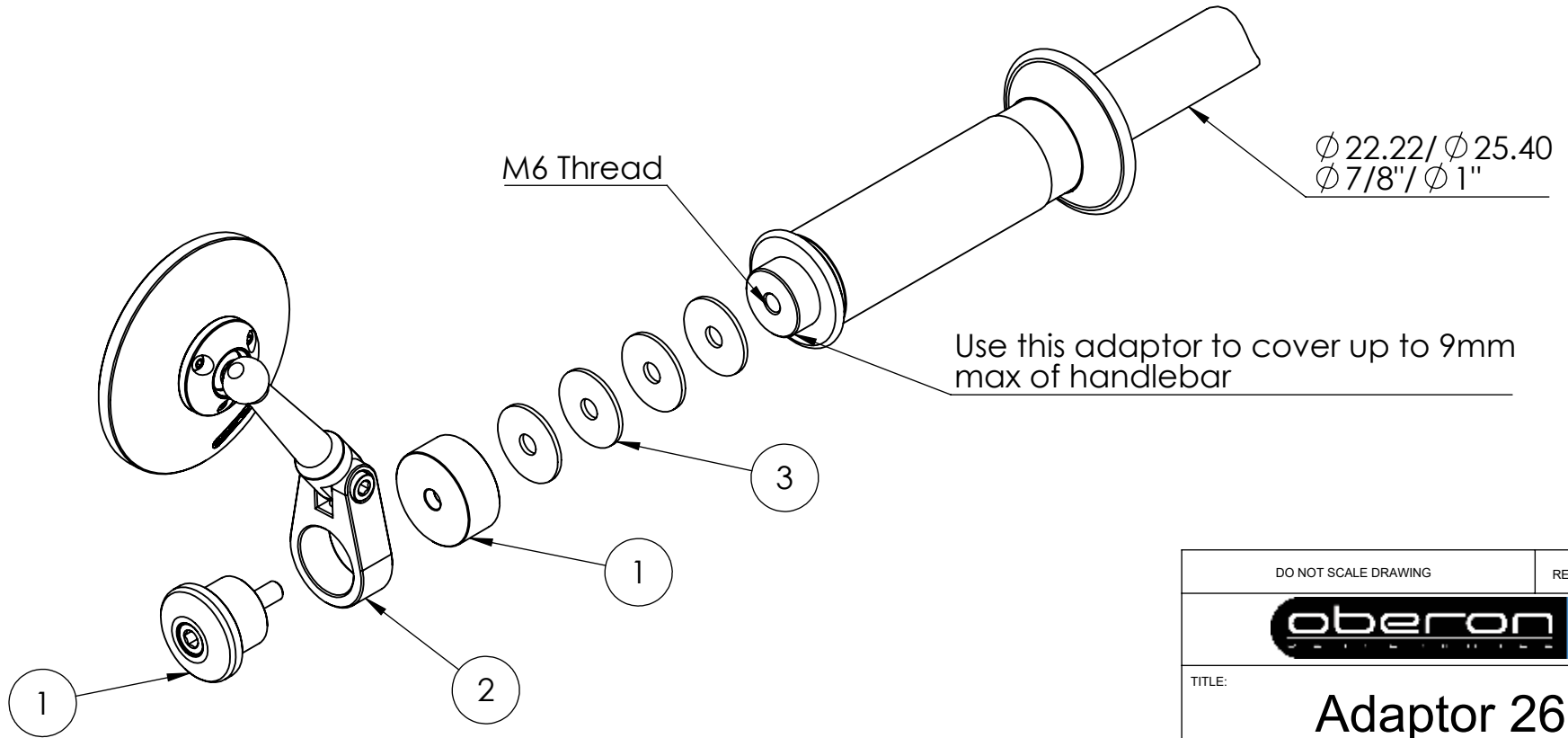
**PROPRIETARY AND CONFIDENTIAL**  
 THE INFORMATION CONTAINED IN THIS DRAWING IS THE SOLE PROPERTY OF OBERON PERFORMANCE LTD. ANY REPRODUCTION IN PART OR AS A WHOLE WITHOUT THE WRITTEN PERMISSION OF OBERON PERFORMANCE LTD IS PROHIBITED.

DO NOT SCALE DRAWING		REVISION:
TITLE: <h1>Adaptor 22</h1>		
DWG NO:		A4
SCALE:		

8 7 6 5 4 3 2 1

26

ITEM NO.	DESCRIPTION	ADAPTOR CODE	QTY
1	Mirror Adaptor	26	1
2	7/8" (22.22mm) Clamp Mirror		1
3	Spacers (If required)		4



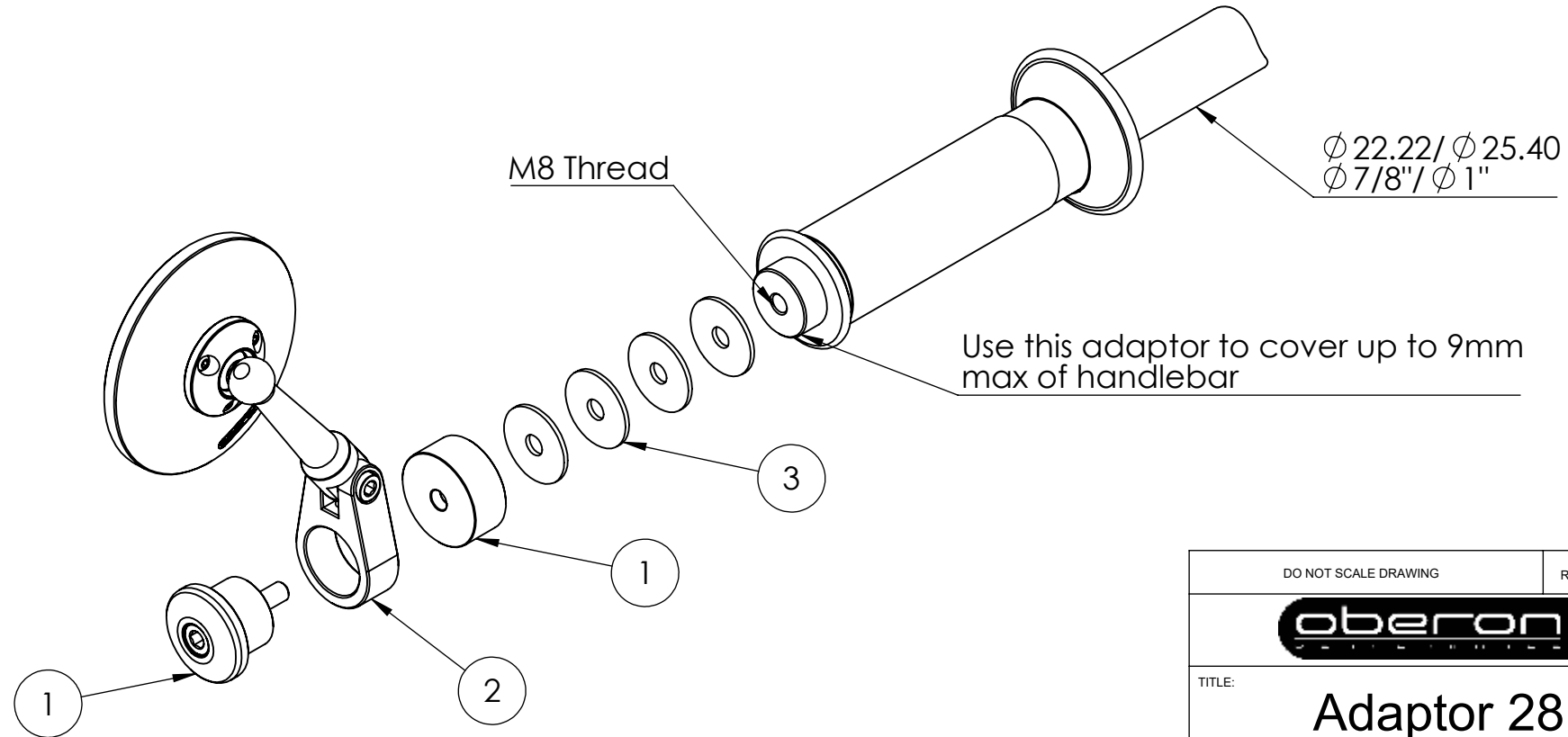
**PROPRIETARY AND CONFIDENTIAL**

THE INFORMATION CONTAINED IN THIS DRAWING IS THE SOLE PROPERTY OF OBERON PERFORMANCE LTD. ANY REPRODUCTION IN PART OR AS A WHOLE WITHOUT THE WRITTEN PERMISSION OF OBERON PERFORMANCE LTD IS PROHIBITED.

DO NOT SCALE DRAWING		REVISION:
		
TITLE: <b>Adaptor 26</b>		
DWG NO: <b>Clamp Mirror MIC</b>		<b>A4</b>
SCALE:		

28

ITEM NO.	DESCRIPTION	ADAPTOR CODE	QTY
1	Mirror Adaptor	28	1
2	7/8" (22.22mm) Clamp Mirror		1
3	Spacers (If required)		4



**PROPRIETARY AND CONFIDENTIAL**

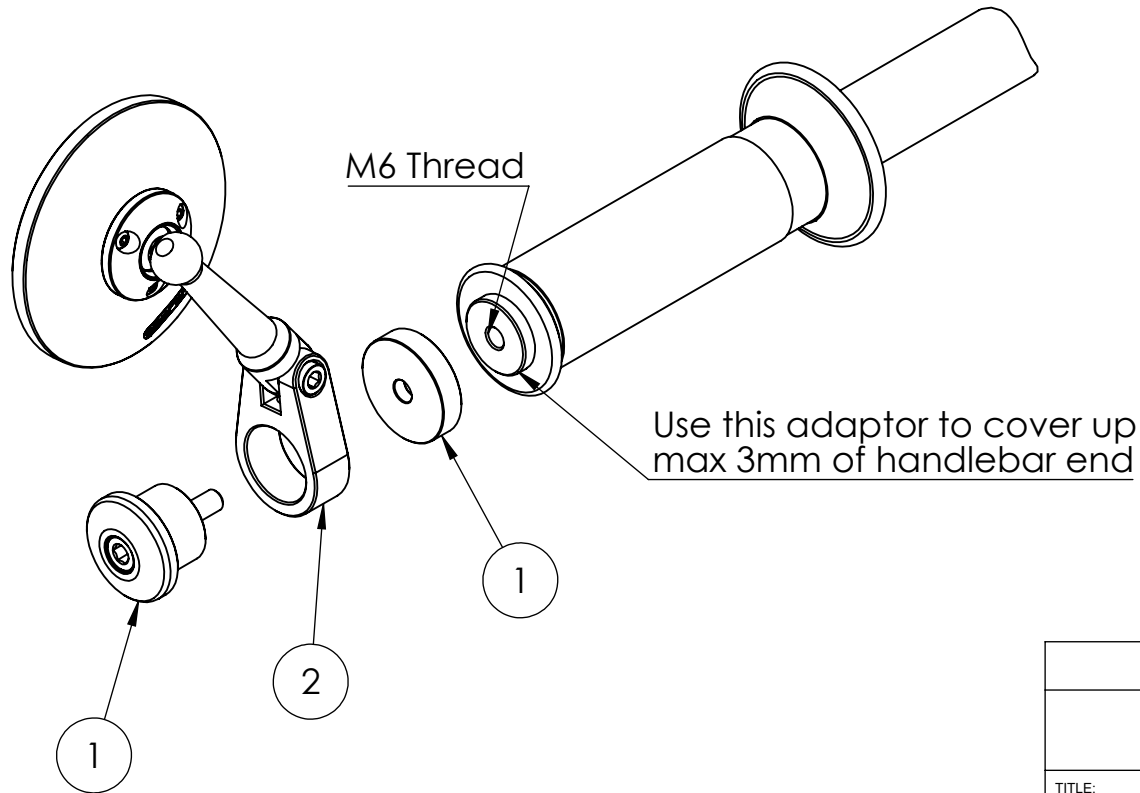
THE INFORMATION CONTAINED IN THIS DRAWING IS THE SOLE PROPERTY OF OBERON PERFORMANCE LTD. ANY REPRODUCTION IN PART OR AS A WHOLE WITHOUT THE WRITTEN PERMISSION OF OBERON PERFORMANCE LTD IS PROHIBITED.

DO NOT SCALE DRAWING		REVISION:
		
TITLE: <b>Adaptor 28</b>		
DWG NO: <b>Clamp Mirror MIC</b>		<b>A4</b>
SCALE:		

8 7 6 5 4 3 2 1

ITEM NO.	DESCRIPTION	ADAPTOR CODE	QTY
1	Mirror Adaptor	52	1
2	7/8" (22.22mm) Clamp Mirror		1

**52**



DO NOT SCALE DRAWING

REVISION:



TITLE:

**Adaptor 52**

DWG NO:

**Clamp Mirror MIC**

**A4**

SCALE:

**PROPRIETARY AND CONFIDENTIAL**

THE INFORMATION CONTAINED IN THIS DRAWING IS THE SOLE PROPERTY OF OBERON PERFORMANCE LTD. ANY REPRODUCTION IN PART OR AS A WHOLE WITHOUT THE WRITTEN PERMISSION OF OBERON PERFORMANCE LTD IS PROHIBITED.

8 7 6 5 4 3 2 1

F

E

D

C

B

A

F

E

D

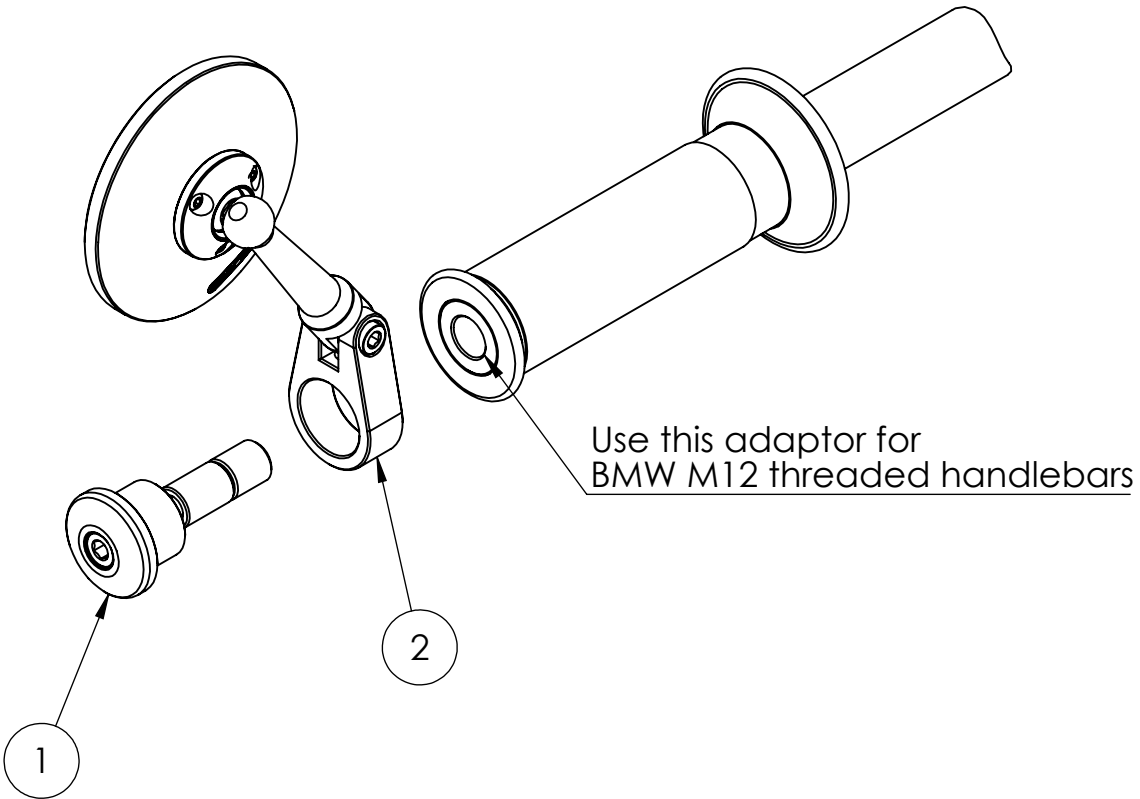
C


B

A

60

ITEM NO.	DESCRIPTION	ADAPTOR CODE	QTY
1	Mirror Adaptor	60	1
2	7/8" (22.22mm) Clamp Mirror		1



DO NOT SCALE DRAWING		REVISION:
		
TITLE: <b>Adaptor 60</b>		
DWG NO: <b>Clamp Mirror MIC</b>		<b>A4</b>
SCALE:		

**PROPRIETARY AND CONFIDENTIAL**

THE INFORMATION CONTAINED IN THIS DRAWING IS THE SOLE PROPERTY OF OBERON PERFORMANCE LTD. ANY REPRODUCTION IN PART OR AS A WHOLE WITHOUT THE WRITTEN PERMISSION OF OBERON PERFORMANCE LTD IS PROHIBITED.