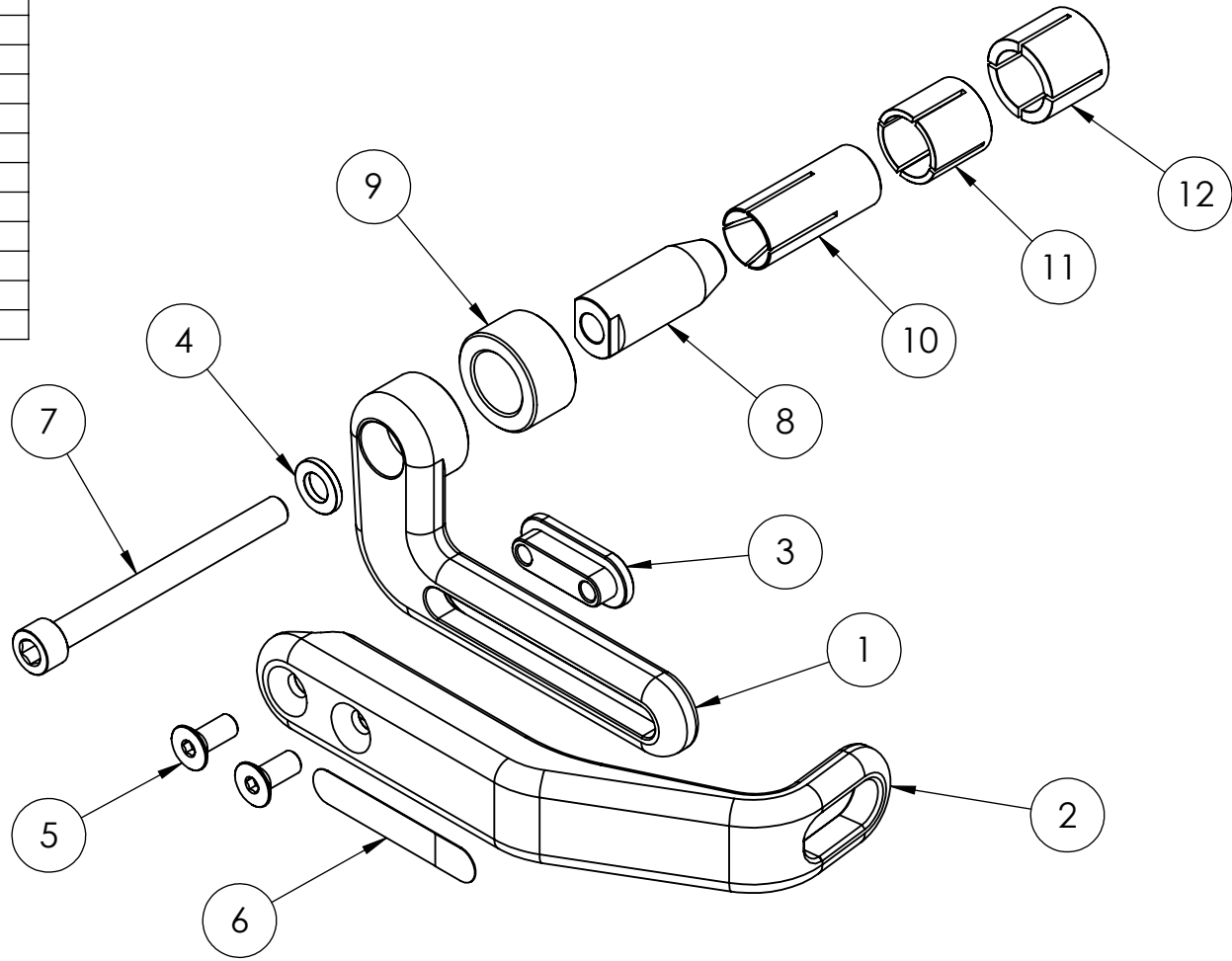



ITEM NO.	PART NUMBER	DESCRIPTION	QTY.
1	426-002-07	Main Frame Right - Brake	1
2	426-001-16	Lever Protector Blade	1
3	426-006-07	M5 T-Nut	1
4	73716-33	M6 Form A Washer BZP Hi-Tensile	1
5	73723-33	M5 Socket C/Sunk x 12mm BZP Hi-Tensile	2
6	Sticker	Sticker 8mm x 46mm	1
7	73748-33	M6 x 65mm Socket Cap Head BZP Hi-Tensile	1
8	426-005-07	14mm Shaft	1
9	426-004-07	12mm Spacer	1
10	798-014-07	Aluminium 14mm Collet	1
11	798-017-07	17mm Collet Extension	1
12	798-019-07	19mm Collet Extension	1



UNLESS OTHERWISE SPECIFIED: DIMENSIONS ARE IN MILLIMETERS SURFACE FINISH: TOLERANCES: LINEAR: ANGULAR:			FINISH:	DEBUR AND BREAK SHARP EDGES
DRAWN	NAME	SIGNATURE	DATE	
CHK'D				
APPV'D				
MFG				
Q.A				MATERIAL:
				WEIGHT:

DO NOT SCALE DRAWING	REVISION
	
Title: Lever Protector Brake 14mm, 17mm & 19mm	
DWG NO.	A4
<h1>ELPB-1419</h1>	
SCALE:1:5	SHEET 1 OF 1