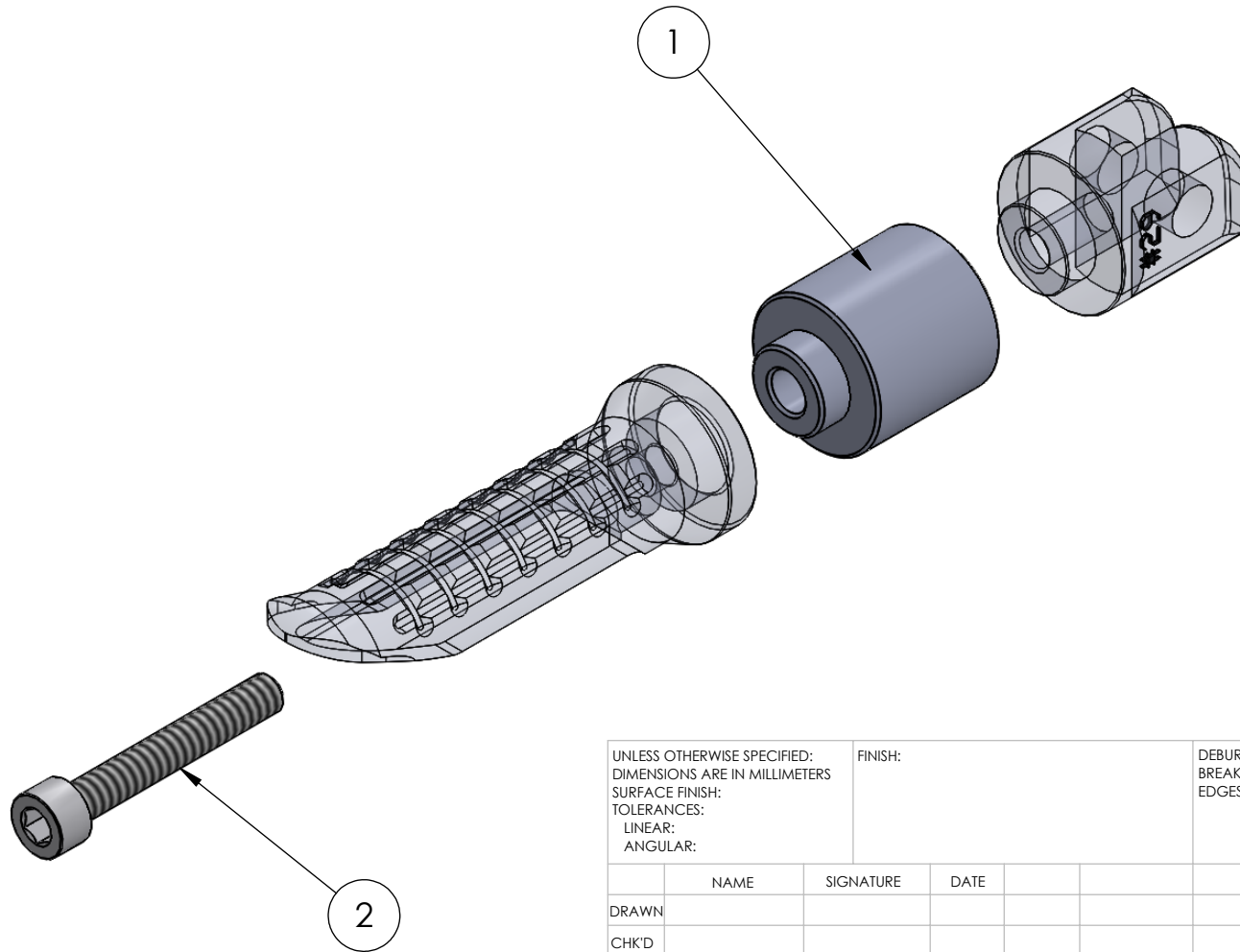



ITEM NO.	PART NUMBER	DESCRIPTION	QTY.
1	220-095-07	Footpeg Extension	1
2	73703-12	M6 x 40mm Socket Cap Head	1



UNLESS OTHERWISE SPECIFIED: DIMENSIONS ARE IN MILLIMETERS SURFACE FINISH: TOLERANCES: LINEAR: ANGULAR:			FINISH:	DEBUR AND BREAK SHARP EDGES
DRAWN	NAME	SIGNATURE	DATE	
CHK'D				
APPV'D				
MFG				
Q.A				MATERIAL:
				WEIGHT:

DO NOT SCALE DRAWING	REVISION
	
TITLE: Footpeg Extension 24mm	
DWG NO. FPX-0024	A4
SCALE:1:5	SHEET 1 OF 1