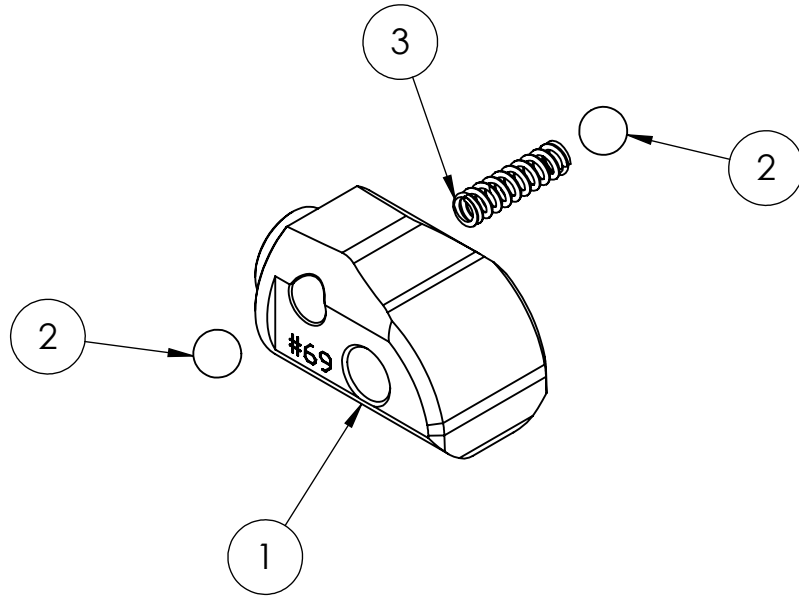


ITEM NO.	PART NUMBER	DESCRIPTION	QTY.
1	220-069-07	KTM Rear Footpeg	1
2	#BEAR-0006	1/4" Ball Bearing	2
3	#762-969-00	Main Spring	1



UNLESS OTHERWISE SPECIFIED:
 DIMENSIONS ARE IN MILLIMETERS
 SURFACE FINISH:
 TOLERANCES:
 LINEAR:
 ANGULAR:

FINISH:

DEBUR AND
 BREAK SHARP
 EDGES

	NAME	SIGNATURE	DATE		
DRAWN					
CHK'D					
APPV'D					
MFG					
Q.A					
				MATERIAL:	
				WEIGHT:	

DO NOT SCALE DRAWING

REVISION

TITLE:
KTM Rear Footpeg Assembly

DWG NO.
220-069-07-ASSEMBLY

SCALE:1:1

SHEET 1 OF 1

A4