

ITEM NO.	PART NUMBER	DESCRIPTION	QTY.
1	99701-00	Fuel Cap	1
2	99740-00	Fuel Body	1
3	Viton Gasket	Fuel Filler Body Gasket	1
4	O Ring	Cap seal	1
5	O Ring	Cap Seal	1
6	M5 Location Bolt	M5 x 25mm Sck Cap Head	3
		M5 x 30mm Sck Cap Head	3
7	M5 Dummy Bolt	M5 x 8mm Sock Cap Head	3

Fitting Instructions

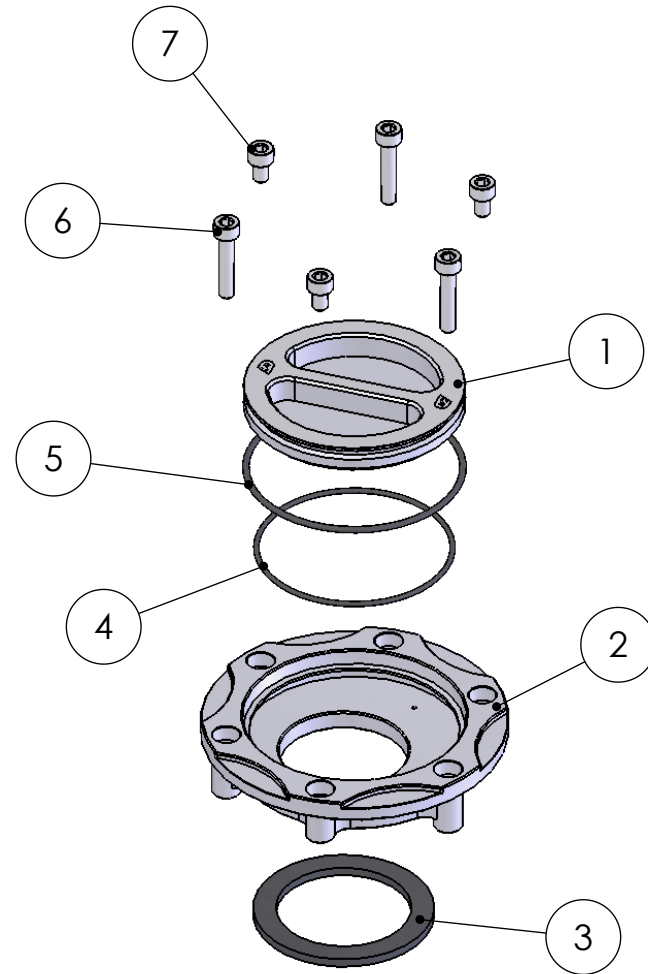
A direct replacement for Aprilia/Triumph models with 6 bolt head visible pattern on the original item.

1. The fuel kit is supplied pre assembled and only requires simple fixing to the bike.
2. Remove the original assembly complete from the petrol tank.
3. Locate the Tank to Body sealing O-Ring (#3). Position the seal in the recess on the underside of the main body (#2). The petroleum jelly is there to temporary hold the seal in place whilst fitting.
4. VERY carefully lower the assembly into place without disturbing the seal. Loosely fit the M5 Cap Head(#6) bolts in position and tighten down evenly. This will compress the Body Sealing O-Ring to the spout of the tank forming a fluid tight seal.
5. The fuel filler kit is now ready for use. NEVER over tighten the cap (#1). Only a gentle twist is needed for a positive seal. The O-Ring (#4) is there to prevent over tightening.

N.B
The seals are made from a special material called Viton which is designed for petroleum use. NEVER substitute these seals with anything else.

DO NOT use with the O-Rings removed.

SAFETY is of paramount importance. Please ensure this product is correctly fitted and tested before using you motorcycle.



PROPRIETARY AND CONFIDENTIAL
THE INFORMATION CONTAINED IN THIS DRAWING IS THE SOLE PROPERTY OF OBERON PERFORMANCE. ANY REPRODUCTION IN PART OR AS A WHOLE WITHOUT THE WRITTEN PERMISSION OF OBERON PERFORMANCE IS PROHIBITED.

		UNLESS OTHERWISE SPECIFIED:	NAME	DATE		
		DIMENSIONS ARE IN INCHES TOLERANCES: FRACTIONAL ± ANGULAR: MACH ± BEND ± TWO PLACE DECIMAL ± THREE PLACE DECIMAL ±	DRAWN		TITLE:	
		INTERPRET GEOMETRIC TOLERANCING PER:	CHECKED		Aprilia/Triumph Fuel Cap	
		MATERIAL	ENG APPR.		SIZE	DWG. NO.
		FINISH	MFG APPR.		A	99743-11
NEXT ASSY	USED ON		Q.A.			REV
			COMMENTS:			
APPLICATION		DO NOT SCALE DRAWING			SCALE: 1:2	WEIGHT:
						SHEET 1 OF 1